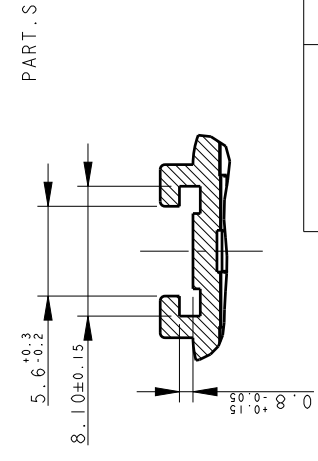
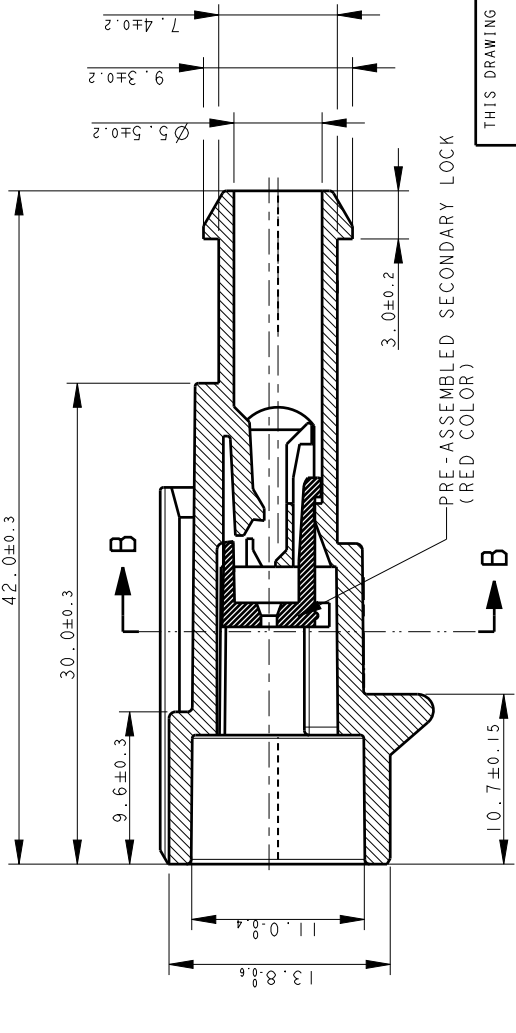
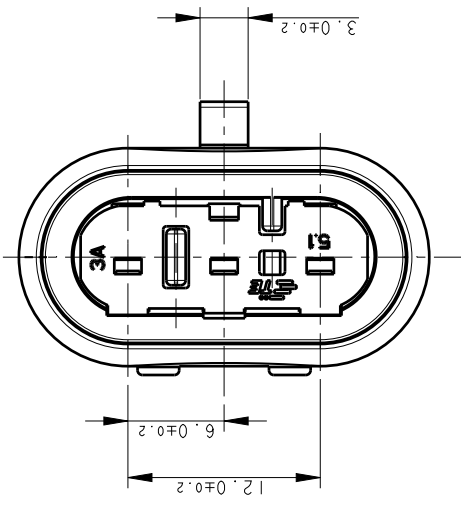
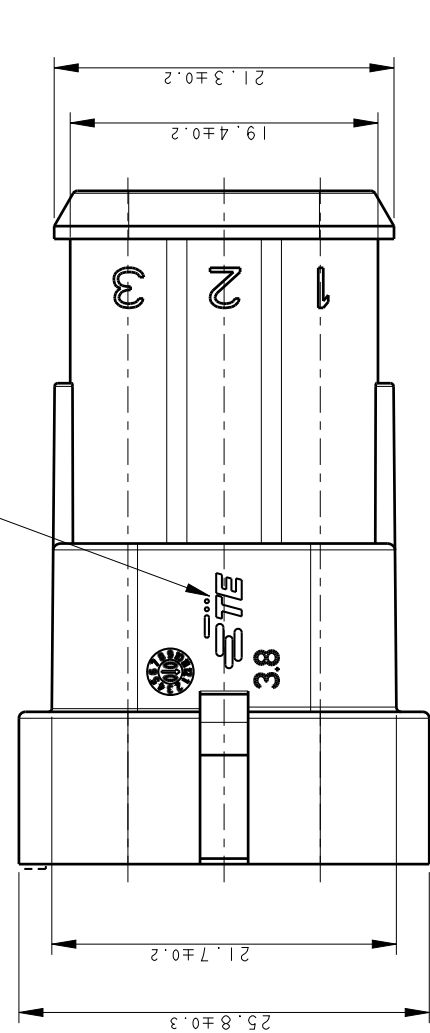


REVISONS		DATE	DWN	APVD
P	LTR			
B1		24MAR2011	RK	HMR
B2		18FEB2014	M.P.	M.G.
DESCRIPTION				
REVISED PER ECO-11-005033				
ECR-14-001837				

LOC	DIST
I	-

THIS DRAWING IS UNPUBLISHED.	RELEASED FOR PUBLICATION	2009
ALL RIGHTS RESERVED.		
COPYRIGHT 2009	BY -	



GRAY	PA66-GF	282105-2
BLACK	PA66-GF	282105-1
FINISH/COLOR	MATERIAL	PART NUMBER

THIS DRAWING IS A CONTROLLED DOCUMENT.		DWN	02-1990
TOLERANCES UNLESS OTHERWISE SPECIFIED:		CHK	C. BERTINI
0 PLC ±.3		APVD	A. BRUNI
1 PLC ±0.3		NAME	
2 PLC ±.1		AMP SUPERSEAL I.5 SRS.	
3 PLC ±.1		3 POSITIONS TAB ASS'Y	
4 PLC ±.2		SIZE	
ANGLES ±2°		CAGE CODE	
FINISH		DRAWING NO	
MATERIAL		A300779	
DIMENSIONS:		SCALE	
mm		3:1	
MATERIAL		SHEET	
		OF	
		REV	
		B2	

STE		TE Connectivity	
AMP SUPERSEAL I.5 SRS.			
3 POSITIONS TAB ASS'Y			
RESTRICTED TO		CUSTOMER DRAWING	
A300779		C=282105	

△ LOGO "AMP" O, IN ALTERNATIVA, LOGO TYCO ELECTRONICS ("AMP" TRADE MARK OR, IN ALTERNATIVE, TE CONNECTIVITY TRADE MARK)