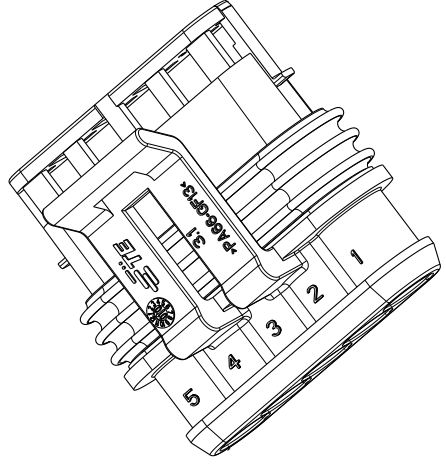
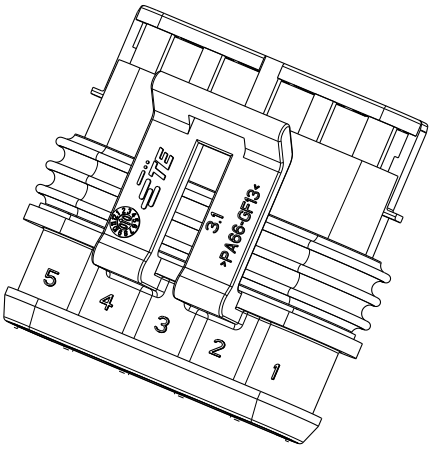
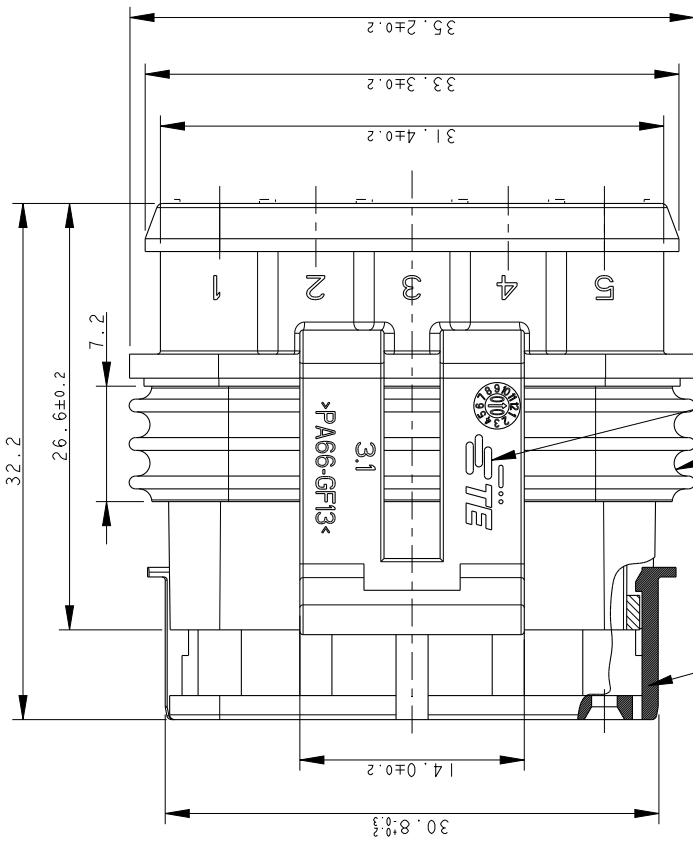
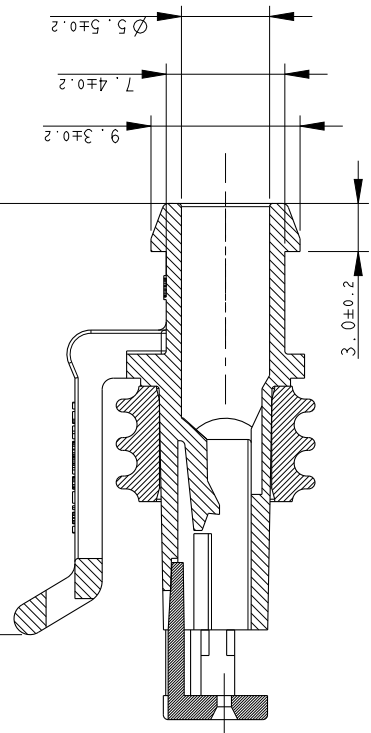
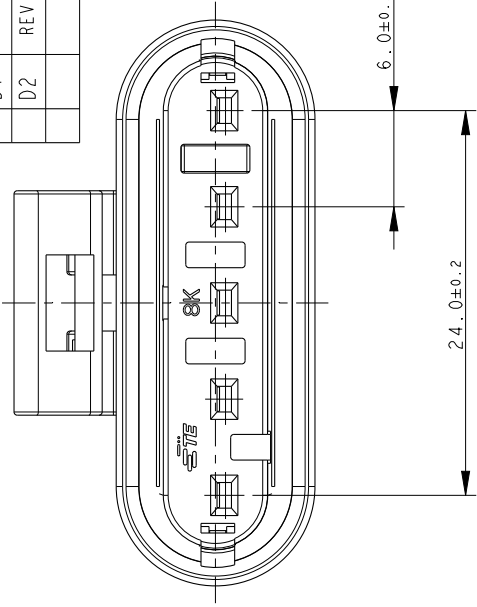


P	LTR	DESCRIPTION	DATE	DWN	APVD
D		ECR-14-009314	24MAR2015	M. P.	M. G.
D1		REVISED (ECR-15-014031)	25SEP2015	M. G.	M. G.
D2		REVISED PER ECO-17-001706	10FEB2017	C. A.	M. G.

REVISONS	
DESCRIPTION	DATE
ECR-14-009314	24MAR2015
REVISED (ECR-15-014031)	25SEP2015
REVISED PER ECO-17-001706	10FEB2017

REVISONS	
DESCRIPTION	DATE
ECR-14-009314	24MAR2015
REVISED (ECR-15-014031)	25SEP2015
REVISED PER ECO-17-001706	10FEB2017



1) FOR COUNTERPART DETAILS, SEE SHEET 2 OF 2

FINISH/COLOR	MATERIAL	PART NUMBER
GRAY	HOUSING+SEC.LOCK: PA66-GF SEALING: LSR	282089-2
BLACK	HOUSING+SEC.LOCK: PA66-GF SEALING: LSR	282089-1

THIS DRAWING IS A CONTROLLED DOCUMENT.

DWN	C. BERTINI	05-1992
CHK	A. BRUNI	05-1992
APVD		
NAME	TE Connectivity	
PRODUCT SPEC	AMP SUPERSEAL 1.5 SRS; 5 POSITIONS PLUG ASS'Y	
APPLICATION SPEC	SIZE	DRAWING NO
	108-20090	A300779C=282089
	412-20000	
	WEIGHT	5.45gr
	Customer Drawing	

SCALE 3:1 SHEET 1 OF 2 REV D2

TE CONNECTIVITY TRADE MARK,
(IN ALTERNATIVE: "AMP" LOGO,
OR "Tyco Electronics" LOGO)

SEALING
(COLOUR YELLOW)

PRE-ASSEMBLED SECONDARY LOCK
(COLOUR RED)

SEE TABLE

SEE TABLE

TOLERANCES UNLESS OTHERWISE SPECIFIED:

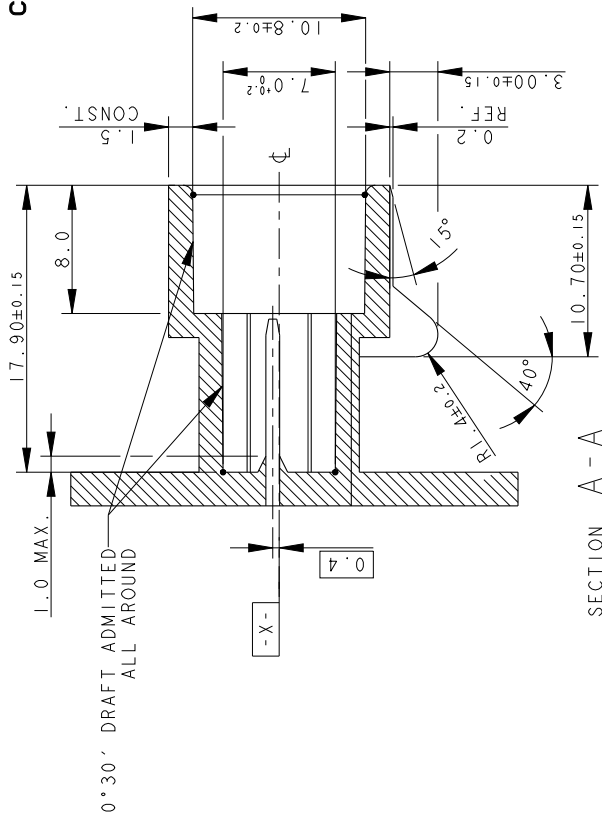
0	PLC	±.
1	PLC	±0.3
2	PLC	±.
3	PLC	±.
4	PLC	±.
	ANGLES	±2°
	FINISH	

MATERIAL

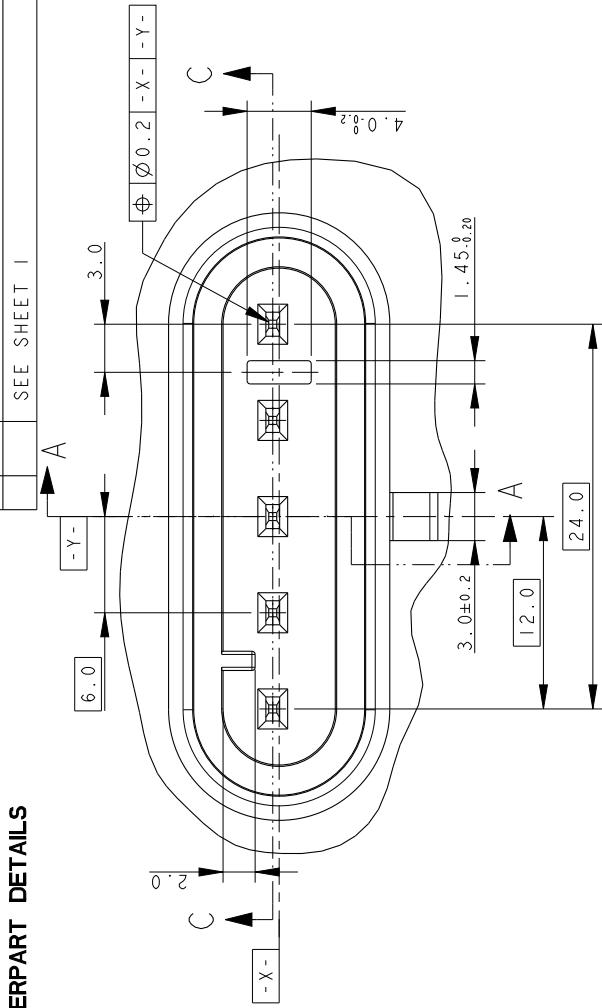
SEE TABLE

REVISIONS		DATE	DWN	APVD
P	LTR	DESCRIPTION		
		SEE SHEET 1		

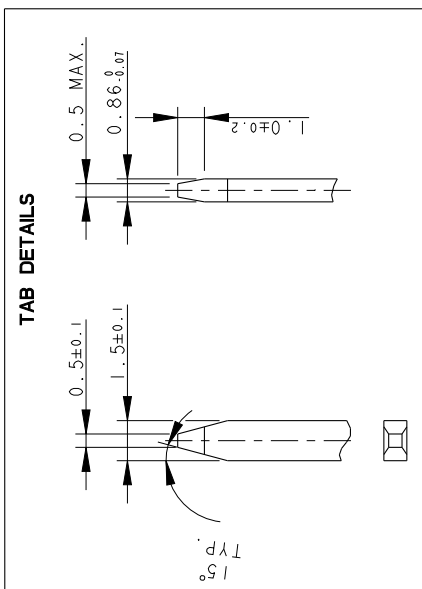
COUNTERPART DETAILS



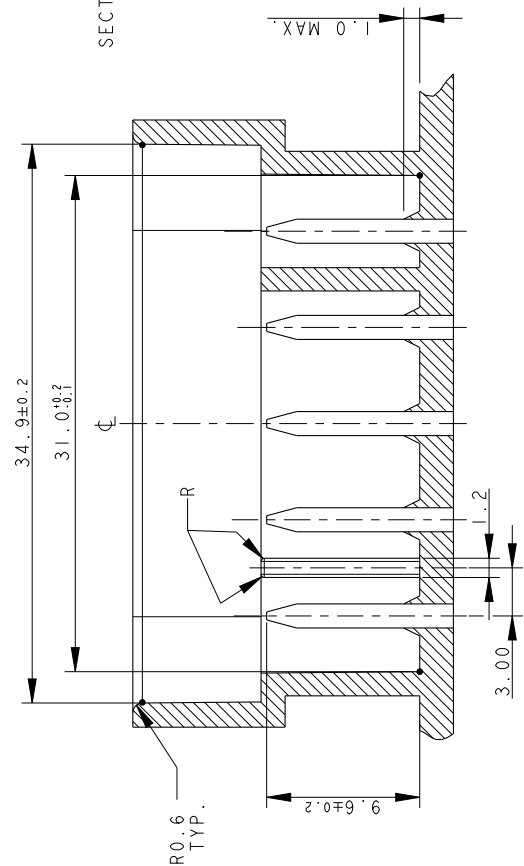
SECTION A - A



SECTION C - C



TAB DETAILS



THIS DRAWING IS A CONTROLLED DOCUMENT.

DWN	C. BERTINI	05-1992
CHK	A. BRUNI	05-1992
APVD		
NAME		
PRODUCT SPEC	AMP SUPERSEAL 1.5 SRS; 5 POSITIONS PLUG ASS'Y	
APPLICATION SPEC	108-20090	
WEIGHT	5.45gr	
FINISH	±2°	
ANGLES	±2°	
MATERIAL	PA66-GF FOR HOUSING TIN PLATED BRASS FOR TABS	
DIMENSIONS:	mm	
TOLERANCES UNLESS OTHERWISE SPECIFIED:	0 PLC ±0.3 1 PLC ±0.1 2 PLC ±0.05 3 PLC ±. 4 PLC ±. ANGLES ±2°	
SIZE	A300779C=282089	
DRAWING NO	C=282089	
RESTRICTED TO		
SCALE	1:1	
SHEET	2 OF 2	
REV	D2	



TE Connectivity