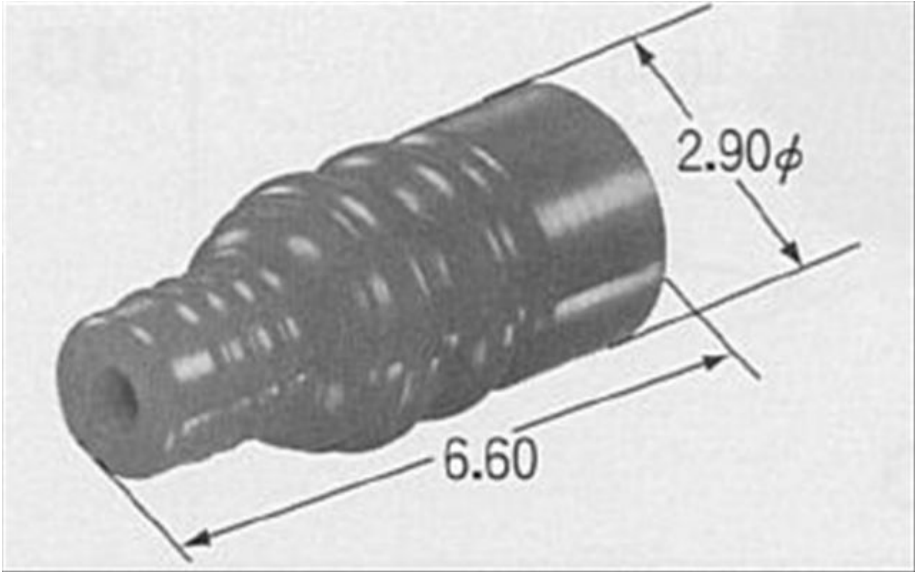


RH Connectors/HS Connectors Wire Seal



(Unit:mm)

Specifications

Classified Parts	Wire Seal
Family	*2 RH Connectors HS Connectors
Type	-
Yazaki Part Number	7158-3166-60
Connection Type	Wire to Wire
Unsealed/Seald	Sealed
Male/Female	N/A
Number of Poles	-
Tab Width mm(inches)	N/A
Material	silicon
Plating	-
Color	Green
Rating	-
Mating Part Numbers	-
Product Specification No.	YPES-11-04-080
Instruction Manual No.	YPES-15-501

Product Specification

Allowable Current(Ref.)	Refer to the table of Housing
Low Level Contact Resistance	Refer to the table of Housing
Insulation Resistance	Refer to the table of Housing
Withstanding Voltage	Refer to the table of Housing
Temperature Range	Refer to the table of Housing

Application List of Installable Components

Wire Type	Wire Size(mm ²)	Terminals
CAVS	0.3	7114-4415-02
CAVS	0.3	7116-4415-02
CAVUS	0.5	7114-4416-02
CAVUS	0.5	7116-4416-02

*3)Heavy Duty Type, *4)Single Pole Type, *5)Material NBR, *6)5mm pitch, *7)5.5mm pitch

*8)For installable components for the hybrid series, refer to the related component table.

*9)Operating Temperature Range includes temperature rise caused by current flow.

«Note for Purchase»

This brochure includes information on the parts developed jointly with particular customer(s) and approval from the customer(s) may be required for sales.

We would appreciate it if you could contact us prior to purchase.