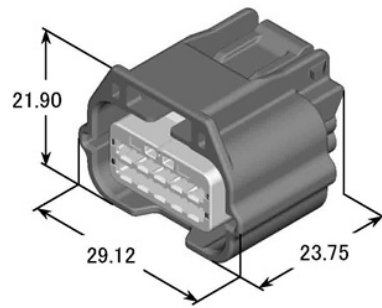


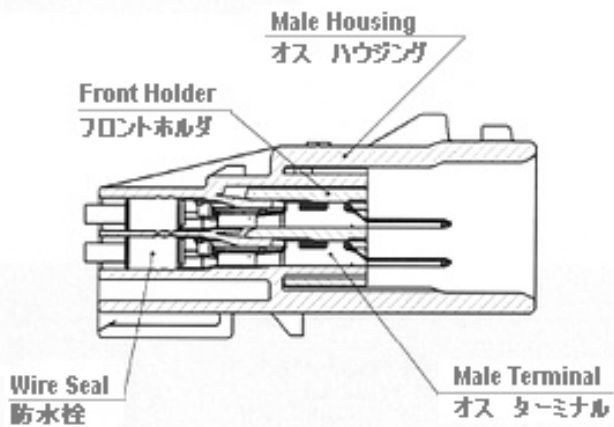
RH Connectors Housing 10P Female



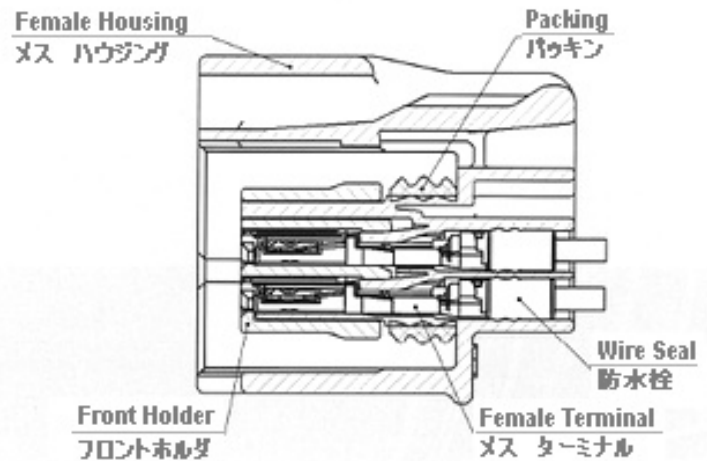
(Unit:mm)

Configuration diagram

Male Connector
オス コネクタ



Female Connector
メス コネクタ



Specifications

Classified Parts		Housing
Family	* 2	RH Connectors
Type		-
Yazaki Part Number		7283-8856-30
Connection Type		Wire to Wire Wire to Board Wire to Device
Unsealed/Seald		Sealed
Male/Female		Female
Number of Poles		10
Tab Width mm(inches)		0.64(025)
Material		PBT
Plating		-
Color		Black
Rating		-
Mating Part Numbers		7282-8856-30
Product Specification No.		YPES-11-04-080
Instruction Manual No.		YPES-15-501

Product Specification		
Allowable Current(Ref.)		6A(10P)
Low Level Contact Resistance		8milli ohm Max.(Initial)
Insulation Resistance		100Megohm Min.(at 500VDC)
Withstanding Voltage		1000V AC (1min.)
Temperature Range	* 9	-40 to 125deg.C

Application List of Installable Components		
Terminals	Wire Seals	Holders
7116-4415-02	7158-3165-90	-
7116-4416-02	7158-3166-60	
7116-4417-02	7158-3167-80	
-	7158-3168-80	