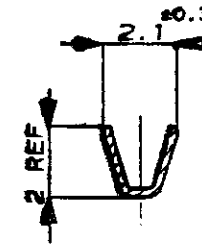
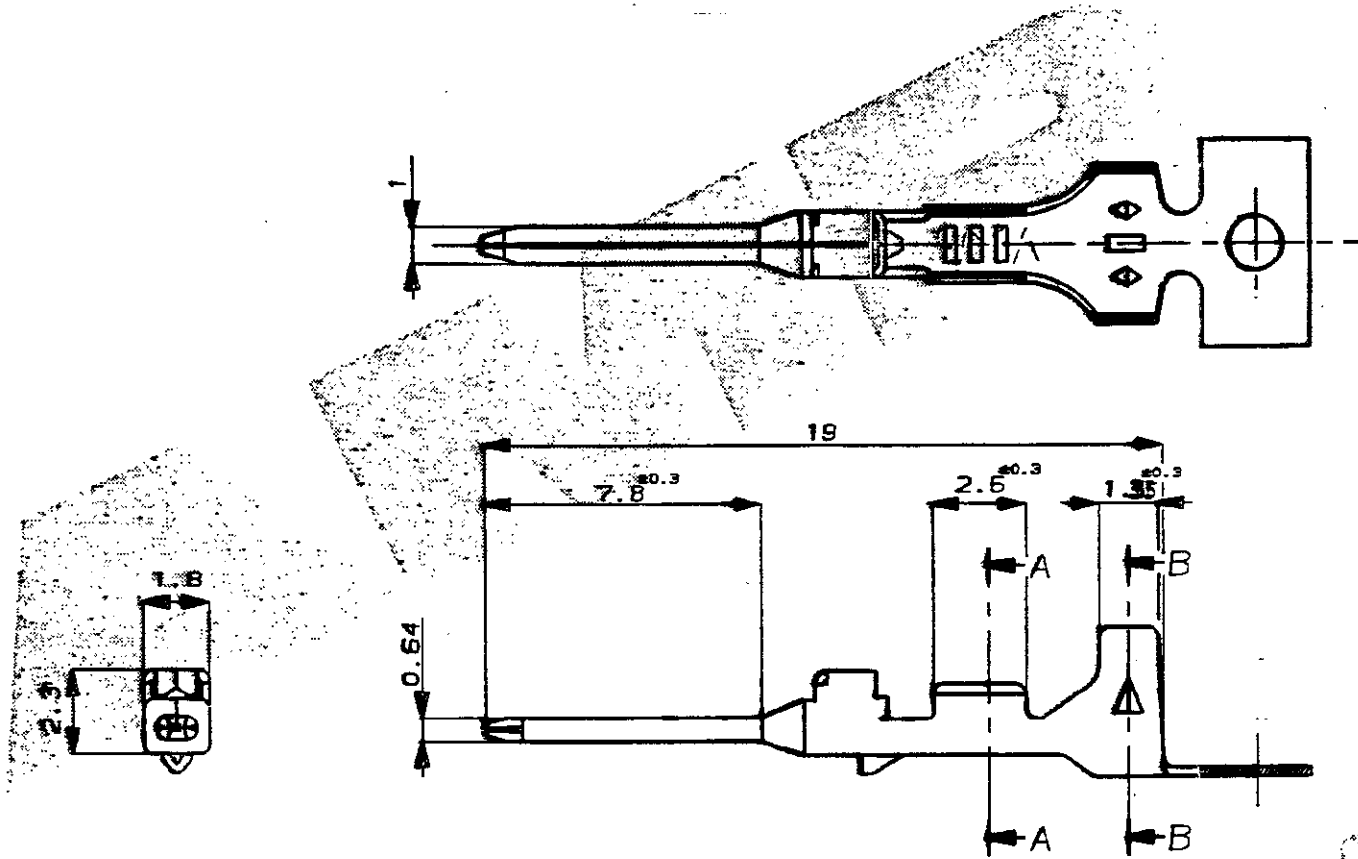
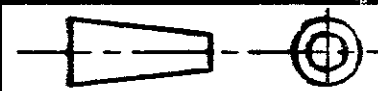


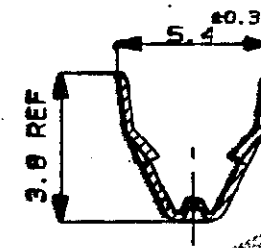
C.A.D. FILE CODE
S. C345164.C

DO NOT SCALE

DIMENSIONS IN MM.



SECT A-A



SECT B-B

NOTES:-

- 1 WIRE DETAILS : 0.2-0.5mm², 1.2-2.0 INS DIA
- 2 SIMILAR TO PART NUMBER 173682.
- 3 REELING SPEC 107-3 FIG 2
- 4 REELING SPEC 107-3 FIG 1

PRE-TIN		BRASS		345164-2	
PRE-TIN		BRASS		345164-1	
FINISH		MATERIAL		PART NUMBER	
CUSTOMER DWG FOR REFERENCE ONLY			© COPYRIGHT 1991 BY AMP OF GREAT BRITAIN LTD. ALL INTERNATIONAL RIGHTS RESERVED. ALL PRODUCTS MAY BE COVERED BY BRITISH AND FOREIGN PATENTS AND/OR PATENTS PENDING.		
-			TOLERANCES UNLESS OTHERWISE STATED		DR. D.R. TERRY 16 OCT 1991
-			DEC ± 0.5		CH. H MISTRY APP. H MISTRY
-			ANGLES ± 1°		TERMINAL HOUSE STANDRE WIDDX.
C EB00-0085-00-7.2.00			NAME .040 SERIES TAB CONTACT, MULTI-LOCK		
B EB00-0045-97-11.2-97			SCALE LOC SIZE DWG.No.		
A H.MISTRY EB00-0100-83 09/08/83			5/1 E A3 C345164		
O H.MISTRY EB00-0100-83 25-5-83			REV SHEET		
REV APPROVED ECH DATE			C 1/1		