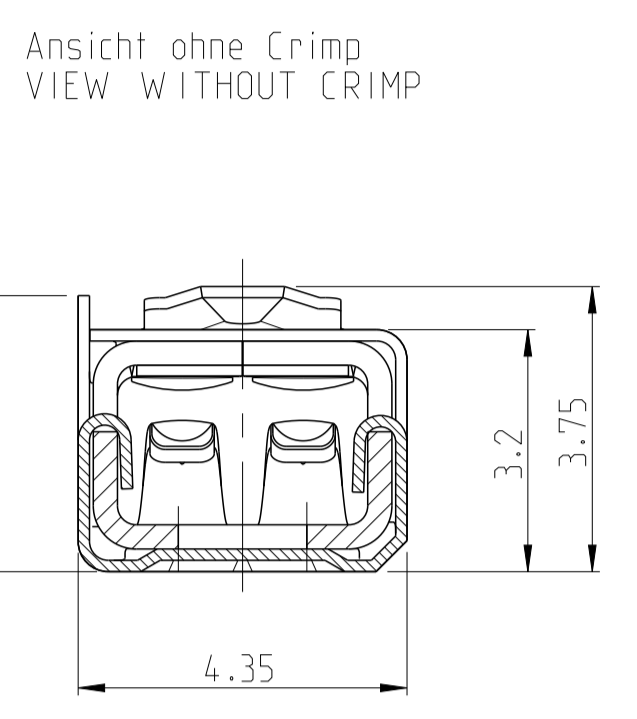
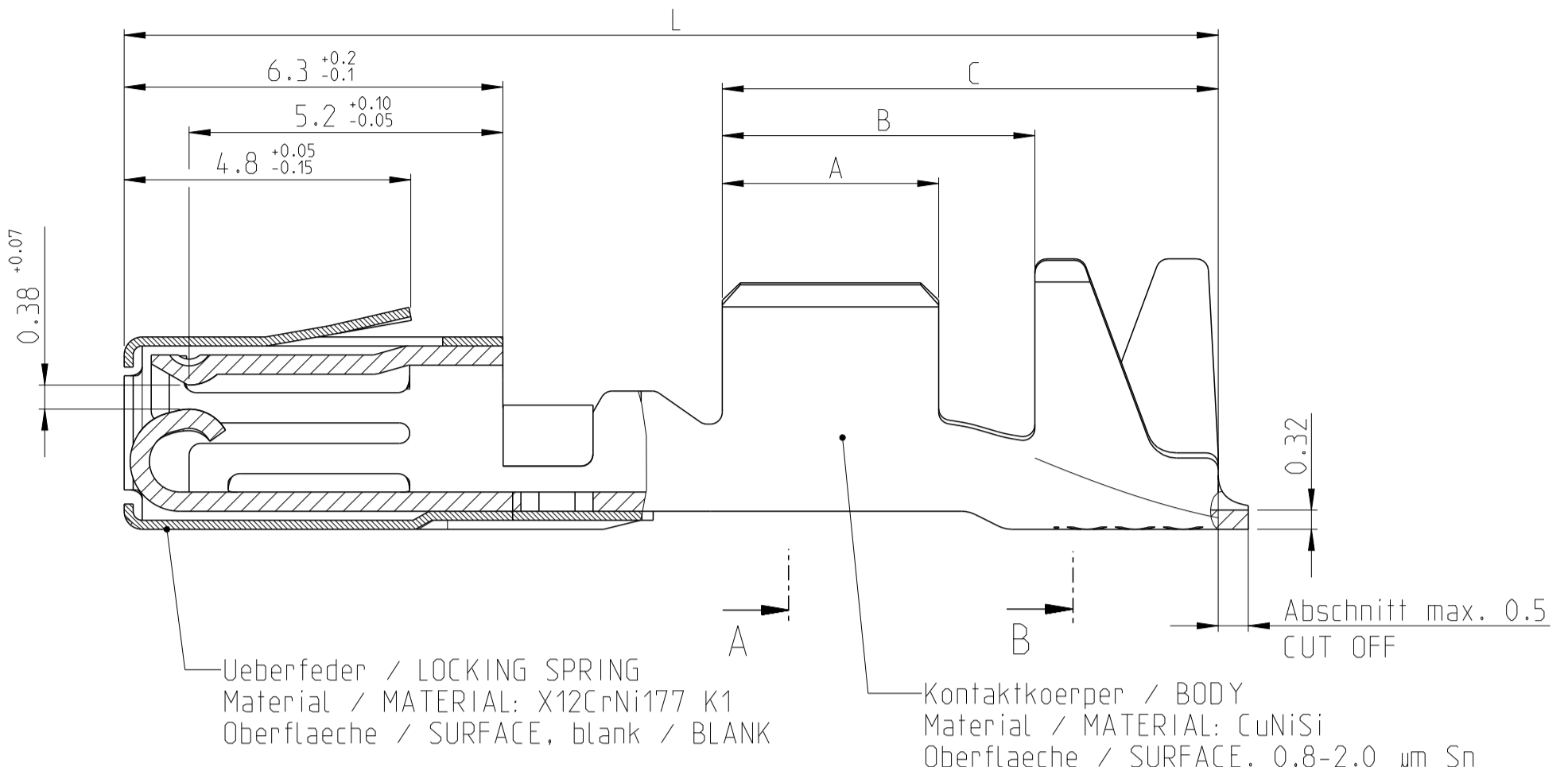


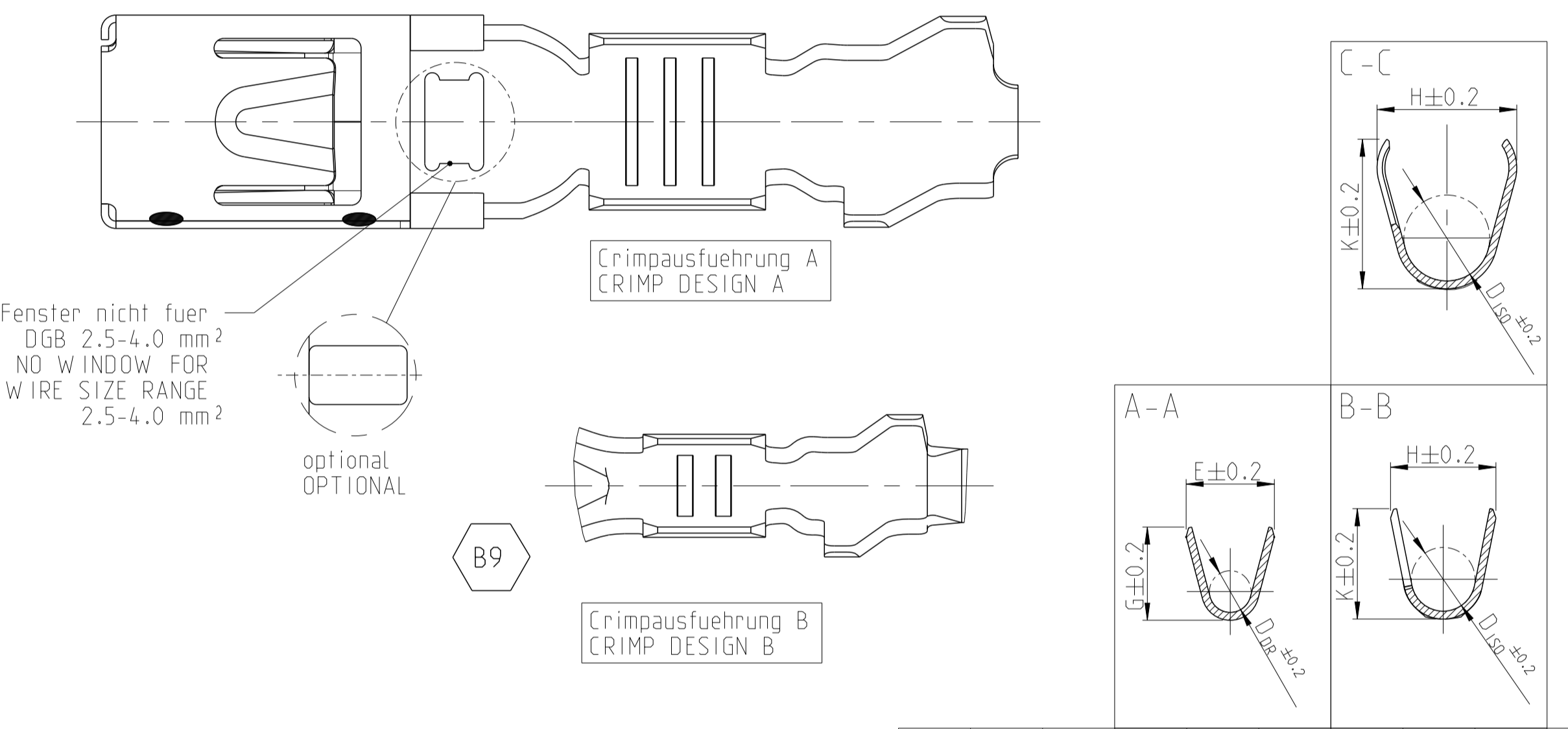
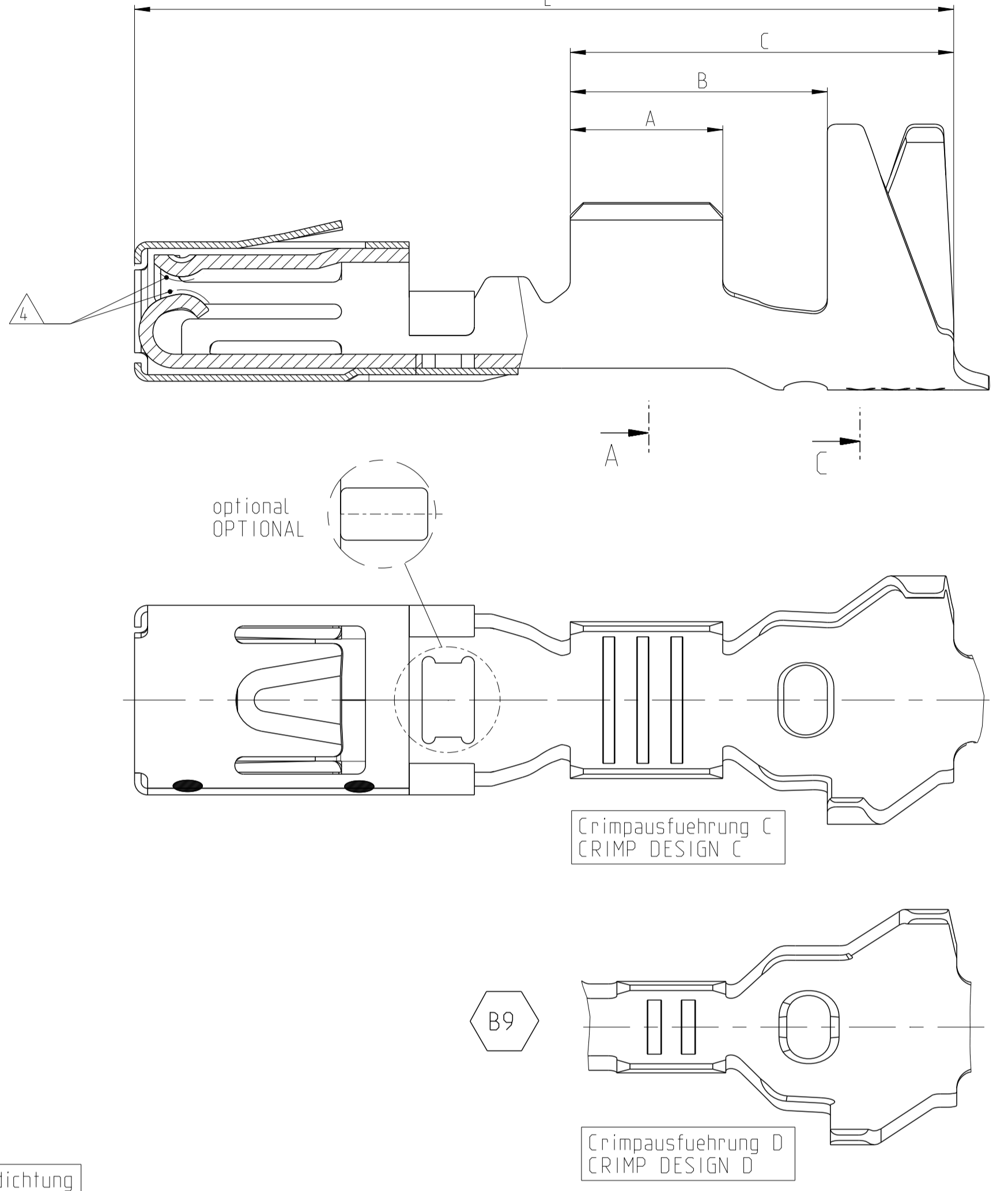
REVISIONS				
P.	LTN	DESCRIPTION	DATE	APVD
B6		ECR-14-015440	160C12014	MN SCHE
B7		NEW VARIANTS ADDED. NEW 3D DRW CREATED	09JUN2015	MAH SCHI
B8		DEACTIVATED PNs 1355950-4 AND 968075-4	17MAY2016	SCK SCHI
B9		CRIMP DESIGN TYPE column in table added	08NOV2017	MAH SCHI

Normale Anwendung
STANDARD APPLICATION



Einzeldichtungssystem
SINGLE WIRE SEAL SYSTEM

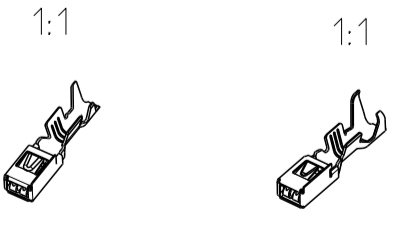
(MISSING DIMENSIONS SEE STANDARD APPLICATION)
(Fehlende Masse siehe normale Anwendung)



SUPERSEDED BY					REV.	NOTE	Sn	VERSION	Drahtgroessenbereich WIRE SIZE RANGE [mm ²]	Crimplaelngen CRIMP LENGTHS [mm]	Drahtcrimp WIRE CRIMP [mm]	Isolationscrimp INSULATION CRIMP [mm]	Kontaktlaenge CONTACT LENGTH [mm]	Gramm GRAM	Gewicht WEIGHT	Verarbeitung APPLICATION	Crimpausfuehrung CRIMP DESIGN	Bestell-Nr. ORDER NO. TAB NR: 116-18005-600	Farbe COLOUR	zugehoerige Einzeldichtung SUITABLE SINGLE WIRE SEAL	
968075-5	968120-5	D	4	-																A	B
	968120-2	D	-	X				> 1.0-2.5	3.5	5.9	8.8	3.6	3.8	1.7	5.7	6.1	3.5			967609-1	gelb/YELLOW
	968119-4	D	6	-				> 0.5-1.0	3.0	5.4	8.3	2.5	2.7	1.2	5.5	5.9	3.3	18.8		967610-1	grau/GREY
	968119-2	D	-	X				0.35-0.5	2.5	4.9	7.8	2.1	2.1	0.8	5.4	5.7	3.2				
	968680-5	B	4	-				> 2.5-4.0	4.0	5.9	9.3	4.5	4.7	2.3	5.4	5.6	3.2	19.6			
	968680-2	B	-	X																	
	1355950-5	-	4	-																	
	1355950-4	A	6	-																	
	1355950-3	B	8	-																	
	1355950-2	B	-	X																	
	968075-5	D	4	-				> 1.0-2.5	3.5	5.2	8.25	3.6	3.8	1.7	4.3	4.5	2.6				
	968075-4	A	6	-																	
	968075-3	B	8	-																	
	968075-2	D	-	X																	
	968074-5	D	4	-				> 0.5-1.0	3.0	4.6	7.0	2.5	2.7	1.2	3.2	3.4	1.8	18.2			
	968074-2	D	-	X																	
	968678-5	B	4	-				0.35-0.5	2.5	3.7	5.8	2.1	2.1	0.8	2.9	2.9	1.4				
	968678-2	B	-	X																	

NOTES

- Bemerkungen
- SUITABLE FOR PIN CONTACT SEE DRAWING:
Passend zu Stiftkontakt:
TE: 1355933
 - FOR FLR-CONDUCTOR ACCORDING TO DIN 72551, PART 6 ONLY
Nur fuer FLR-Leitungen nach DIN 72551, Teil 6
 - DETAILS OF DESIGN ARE LEFT TO MANUFACTURER
Einzelheiten der Ausfuehrung bleiben dem Hersteller ueberlassen
- 4 MIN. 0.8 µm Au OVER MIN. 1.2 µm Ni
Min. 0.8 µm Au ueber min. 1.2 µm Ni
- 5 2-4 µm ELECTROPLATED SILVER
2-4 µm galvanisch Silber
- 6 MIN. 0.8 µm PdNi OVER MIN. 1.2 µm Ni
Min. 0.8 µm PdNi ueber min. 1.2 µm Ni
- 7 FOR INSPECTION PURPOSES ONLY
Nur fuer Pruefzwecke
- 8 MIN. 2.8-5.0 µm Ag OVER MIN. 0.2-1.0 µm Ni
Min. 2.8-5.0 µm Ag ueber min. 0.2-1.0 µm Ni



THIS DRAWING IS A CONTROLLED DOCUMENT.		OWN S.Garcia 22MAY2000	TE Connectivity	
DIMENSIONS: mm		CHK R.Jetter 22MAY2000	NAME MICRO POWER QUADLOK BUCHSENKONTAKT	
TOLERANCES UNLESS OTHERWISE SPECIFIED:		APVD	TABLETZEICHNUNG BUCHSENKONTAKT	
1 PLC ± n. ISO 8015	2 PLC ± n. ISO 2768	PRODUCT SPEC	108-18476-1	
3 PLC ± n. DIN 16901	4 ANGLE FINISH	APPLICATION SPEC	114-18141-1	
MATERIAL	FINISH	WEIGHT	SIZE A1	RESTRICTED TO
			CAGE CODE 00779	DRAWING NO. 1355934
			CUSTOMER DRAWING	SCALE 5:1 SHEET 1 OF 1 REV B9