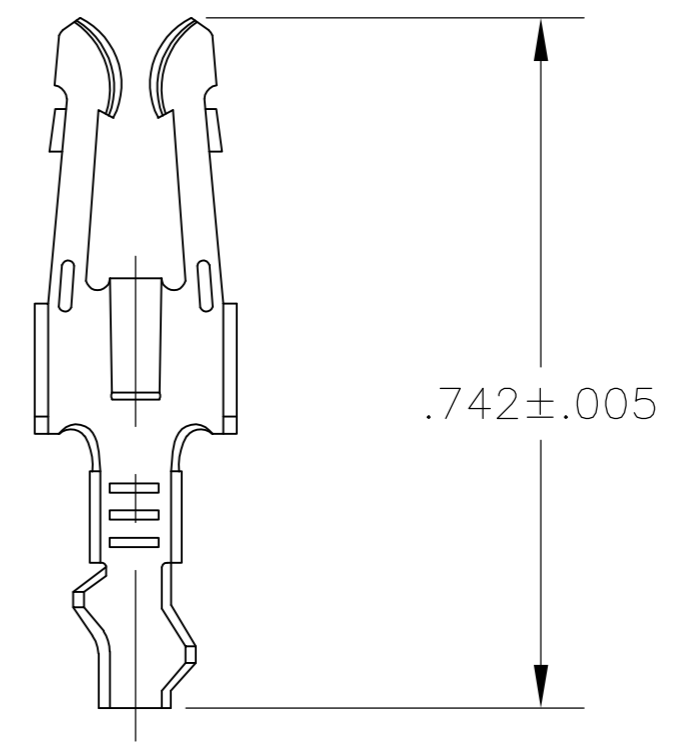
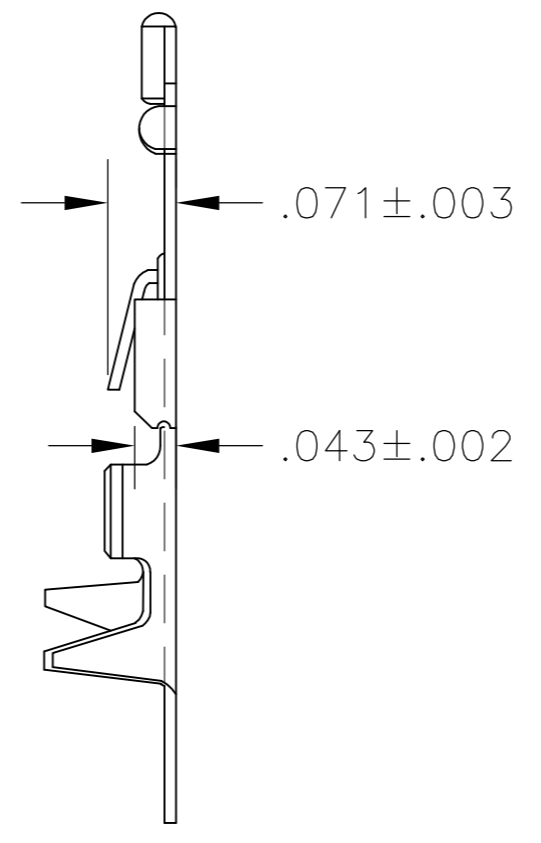
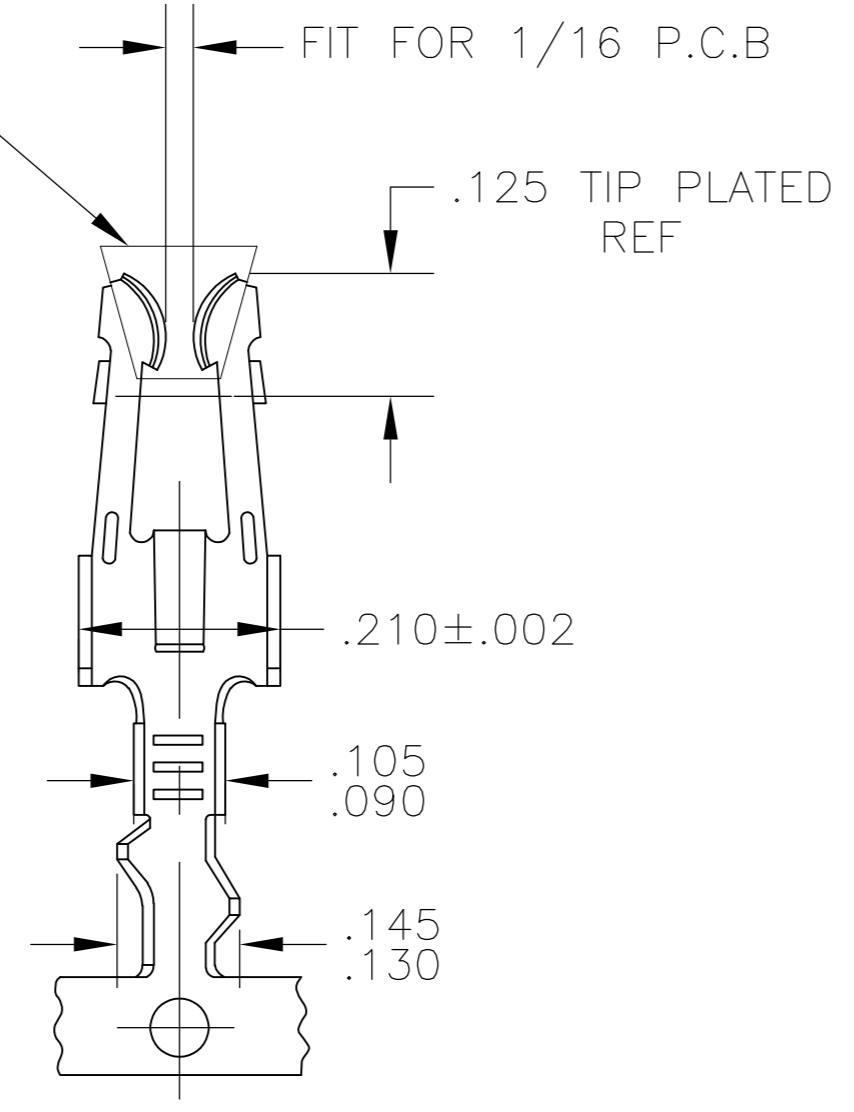


THIS DRAWING IS UNPUBLISHED. RELEASED FOR PUBLICATION  
 © COPYRIGHT BY TYCO ELECTRONICS CORPORATION. ALL RIGHTS RESERVED.

LOC	DIST	REVISIONS			
P	LTR	DESCRIPTION	DATE	DWN	APVD
	B	ECO-05-004683	18JAN06	BSV	MM
	B1	REV PER ECO-09-021510	14SEP09	KK	AEG

MINIMUM CONTACT AREA GOLD PLATED



LOOSE PIECE

- 1. WIRE SIZE: #20-#18 AWG, INSULATION RANGE .070-.110 DIA.
- 2 L-R REELING FOR MINI-APPLICATOR.
- 3 MATTE TIN PLATE IN CRIMP AREA.
- 4 OBSOLETE PARTS: OBSOLETE CIS STREAMLINING PER D.RENAUD/D.SINISI

NICKEL PLATE ALL OVER, TIP PLATE .000030 THICK GOLD.	583362-4 L.P( <del>5-583363-3</del> )	583362-7 <sup>3</sup>
NICKEL PLATE ALL OVER, TIP PLATE .000015 THICK GOLD.	583362-3 L.P( <del>5-583363-2</del> )	<sup>4</sup> 583362-6 <sup>3</sup>
TIN.	583362-2 L.P( <del>5-583363-1</del> )	<sup>4</sup> 583362-5 <sup>3</sup>
NICKEL PLATE ALL OVER, TIP PLATE .000030 THICK GOLD.	583362-4 L.P(583363-3)	583362-4 <sup>2</sup>
NICKEL PLATE ALL OVER, TIP PLATE .000015 THICK GOLD.	583362-3 L.P(583363-2)	583362-3 <sup>2</sup>
TIN.	583362-2 L.P( <del>583363-1</del> )	583362-2 <sup>2</sup>
FINISH	LOOSE PIECE COMBINATION NO.	PART NO.

THIS DRAWING IS A CONTROLLED DOCUMENT.		DWN	16SEP67	<b>tyco</b> Tyco Electronics Corporation	
DIMENSIONS: INCHES		CHK	-	Harrisburg, PA 17105-3608	
TOLERANCES UNLESS OTHERWISE SPECIFIED:		APVD	-	NAME	
0 PLC ± -		PRODUCT SPEC	-	MODIFIED FORK CONTACT	
1 PLC ± -		APPLICATION SPEC	-	SIZE	CAGE CODE
2 PLC ± -		FINISH	-	A2	00779
3 PLC ± -		MATERIAL	PHOS. BRONZE	DRAWING NO	C=583362
4 PLC ± -		WEIGHT	-	RESTRICTED TO	-
ANGLES ± -		CUSTOMER DRAWING	SCALE 4:1	SHEET 1 OF 1	REV B1

583362