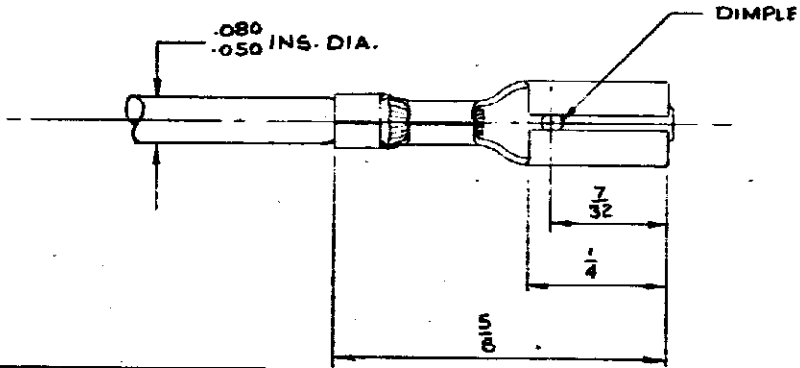


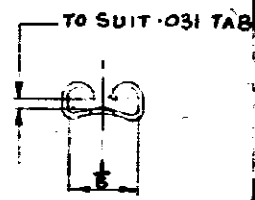
C-150631

© AIRCRAFT-MARINE PRODUCTS (G.B.) LTD. 1962

1		
2		
3		
4		
5		
6		
7		
8		
9		
10		
11		
12		
13		
14		
15		
16		
17		
18		
19		
20		



PART N°	FINISH
150631-1	NONE
150631-2	ELECTRO-TIN
150631-3	GOLD PLATE



CUSTOMER COPY  
FOR REFERENCE ONLY

MATERIAL - .010 BRASS  
HEAT TREATMENT -  
FINISH - SEE TABLE

				AIRCRAFT-MARINE PRODUCTS (G.B.) LTD.	
				INDUSTRIAL ESTATE, PORT GLENNON	
				WIRE TERMINAL	
				MINIATURE FASTON (110 SERIES)	
				CLASS	
B -1 OBSOLETE		610	ARR	C5070	TYPE AUTOMATIC
A 150631-3 ADDED		272	272	272	SIZE 24-20
NO.	ALTERATION	DATE	BY	N.D.C.	TOLERANCES - ALL DIMENSIONS ± 1/64 EXCEPT AS NOTED.
DR J. S. ...					SCALE: 4:1
					C-150631