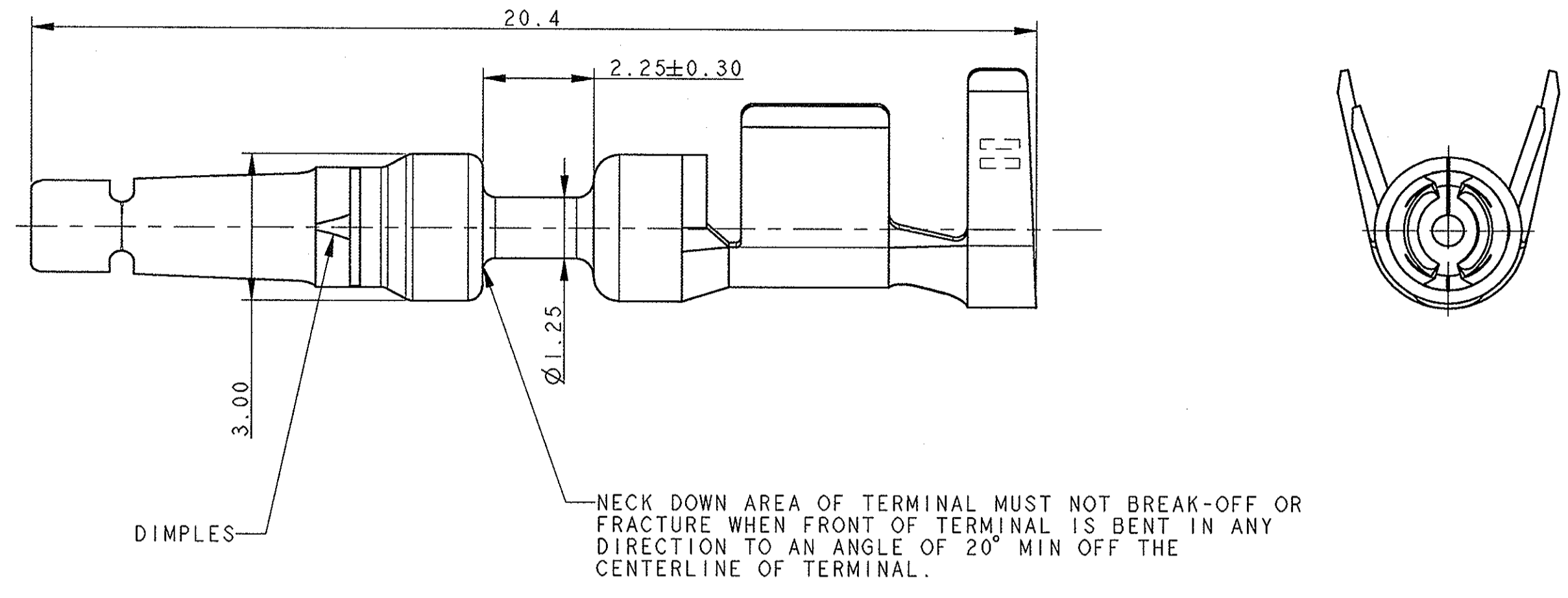


LOC	DIST	REVISIONS				
A1	-	P	LFR	DATE	DWN	APVD
		P		REVISED AND REDRAWN FOR ECR-07-014697	02JUL2007	M.P. R.M.

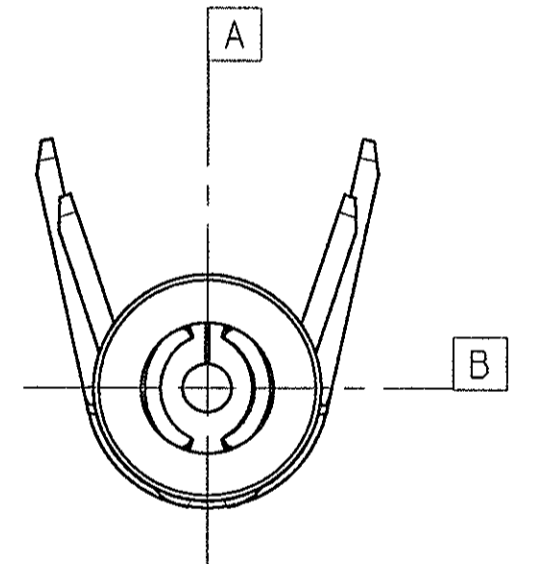
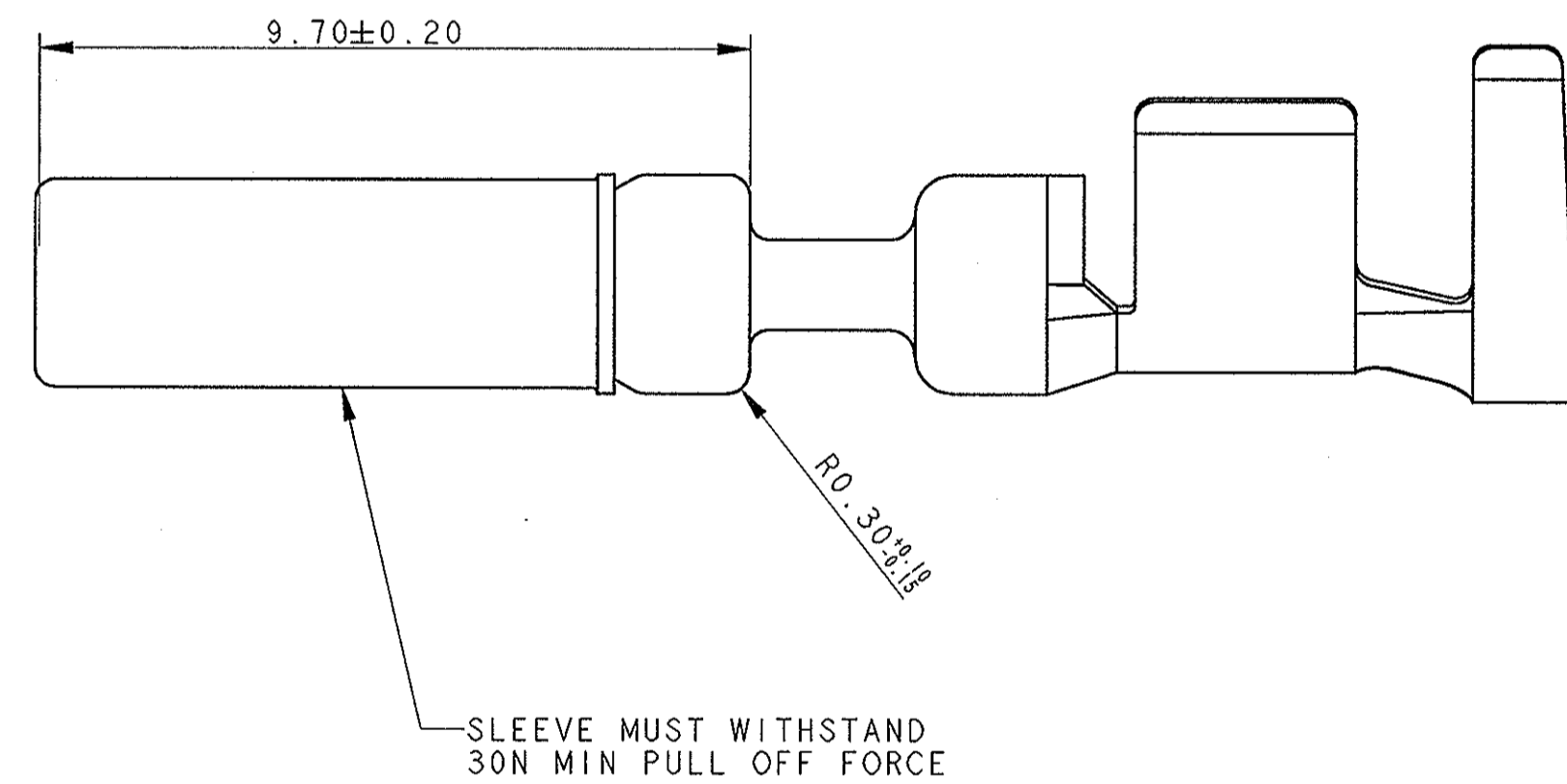
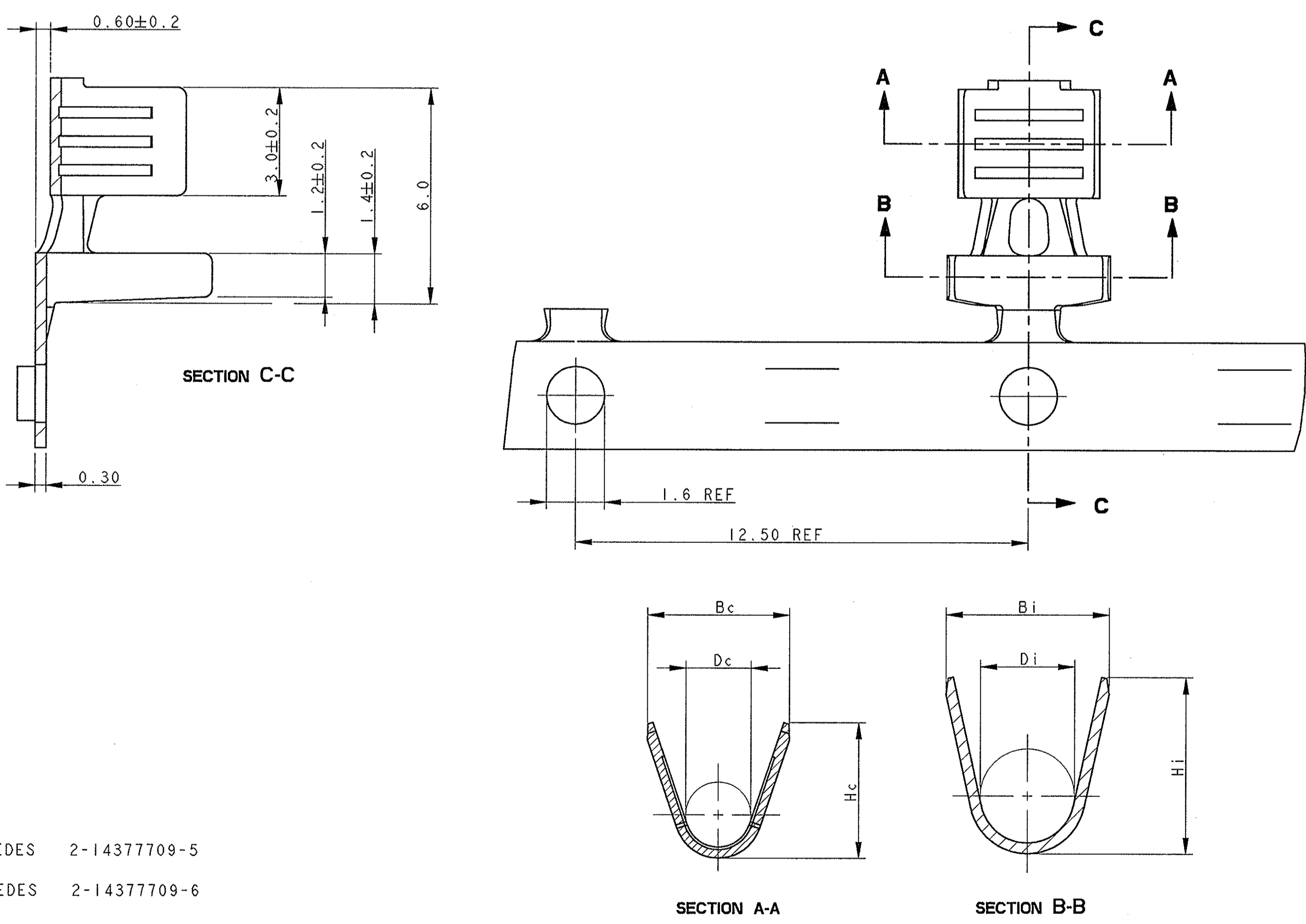
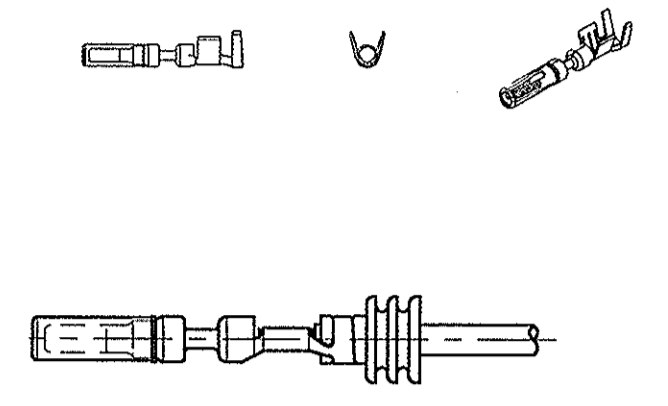


VIEW WITHOUT SLEEVE

CRIMP TYPE	CRIMP AREA DIMENSION						CRIMP CODE
	Bc	Dc	Hc	Bi	Di	Hi	
c	3.70 ±0.15	1.80 ±0.2	3.90 ±0.15	4.70 ±0.15	2.60 ±0.2	4.90 ±0.15	≡≡≡
b	2.60 ±0.15	1.20 ±0.2	2.90 ±0.15	3.60 ±0.15	2.00 ±0.2	4.00 ±0.15	≡≡≡
a	2.00 ±0.15	0.80 ±0.2	2.20 ±0.15	2.80 ±0.15	1.60 ±0.2	3.00 ±0.15	≡

FULL SIZE VIEWS
SCALE 1.000

FULL ASSY VIEW
WATERPROOF
SCALE 2.000

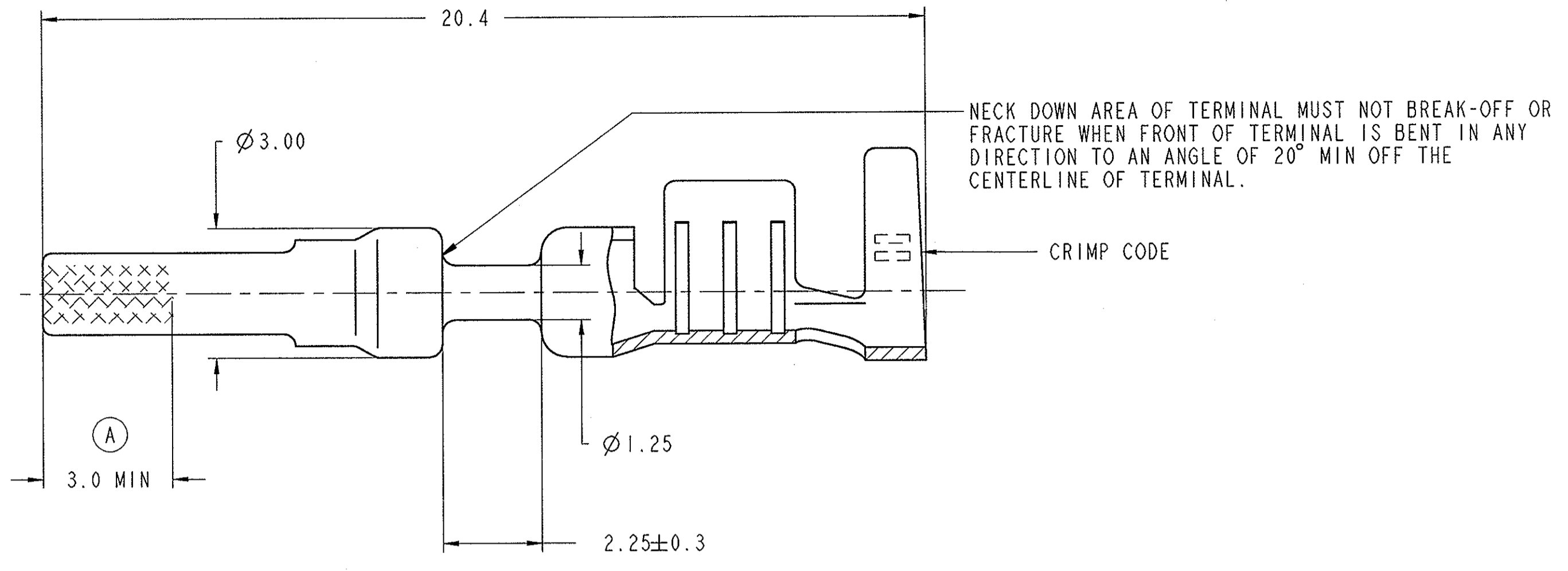


- 1 SUPERSEDES 2-1437709-5
- 2 SUPERSEDES 2-1437709-6
- 3 SUPERSEDES 2-1437709-7

PART AS SUPPLIED							COMPONENTS			MATERIALS			COMPONENTS SUPPLIED APART		TO FIT IN CAVITY	
P/N	PART REV.	DESCRIPTION	WATERPROOF	WIRE CROSS SEC. AREA	CRIMP CODE	CRIMP SPEC.	WEIGHT	TERMINAL	SLEEVE	WIRE SEAL	TERMINAL	SLEEVE	GREASE	WIRE SEAL	TYPE	DESCRIPTION
1-1437709-4		TERMINAL FEMALE TIN PLT.	YES	0.22-0.35mm ²	≡		0.402gr.	I	I	SEE CHART	DIN 17670 (CuSn6) TIN PLATED BRIGHT	ALLOY 230 RICH LOW BRASS	LITHIUM SOAP ZINC OXIDE	1-1437713-1 (0.22-0.35) BLACK	AC/T/191/95	CAVITY TERMINAL FEMALE
1-1437709-5	B	TERMINAL FEMALE TIN PLT.		0.50-1.00mm ²	≡≡	0.422gr.	I	I	1-1437713-2 (0.50-1.00) RED							
1-1437709-6		TERMINAL FEMALE TIN PLT.		1.50-2.50mm ²	≡≡≡	0.443gr.	I	I	1-1437713-3 (1.50) BLUE							
1-1437709-4	B	TERMINAL FEMALE TIN PLT.	NO	0.22-0.35mm ²	≡	AC/T/18/95	0.402gr.	I	I	NOT USED						
2-1437709-8	P	TERMINAL FEMALE TIN PLT.		0.50-1.00mm ²	≡≡	0.422gr.	I	I								
1-1437709-5	B	TERMINAL FEMALE TIN PLT.		0.50-1.00mm ²	≡≡	0.422gr.	I	I								
1-1437709-6	B	TERMINAL FEMALE TIN PLT.		1.50-2.50mm ²	≡≡≡	0.443gr.	I	I								

DIMENSIONS: mm		TOLERANCES UNLESS OTHERWISE SPECIFIED:		DWN M. PALMA 20JUN2007		tyco Electronics AMP ITALIA S.p.A. Corso F.lli Cervi, 15 Collegno (TO)	
0 PLC ±0.3		1 PLC ±0.1		CHK R. MARTINI 20JUN2007		1,6 SYSTEM TERMINAL FEMALE TIN PLATED	
2 PLC ±0.1		3 PLC ±0.1		APVD A. GENTA 20JUN2007		SIZE CAGE CODE DRAWING NO A11 00779 C=1418069	
4 PLC ±0.1		ANGLES ±1°		PRODUCT SPEC 108-20260		RESTRICTED TO	
MATERIAL		FINISH		APPLICATION SPEC 114-20121		CUSTOMER DRAWING	
				WEIGHT		SCALE 10:1 SHEET 1 OF 2 REV P	

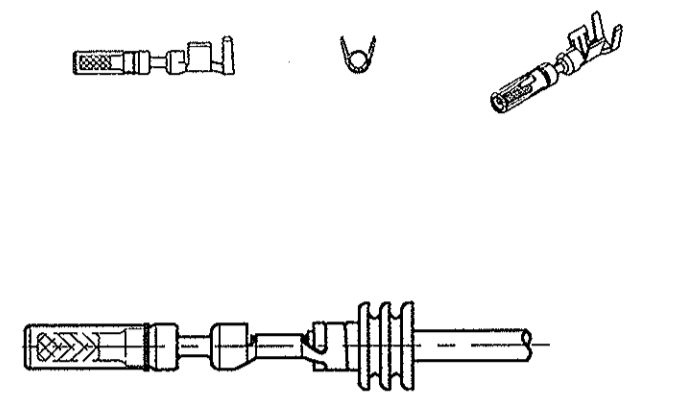
LOC	DIST	REV	DESCRIPTION	DATE	BY	APPD
A1	-	-	-SEE SHEET 1-	-	-	-



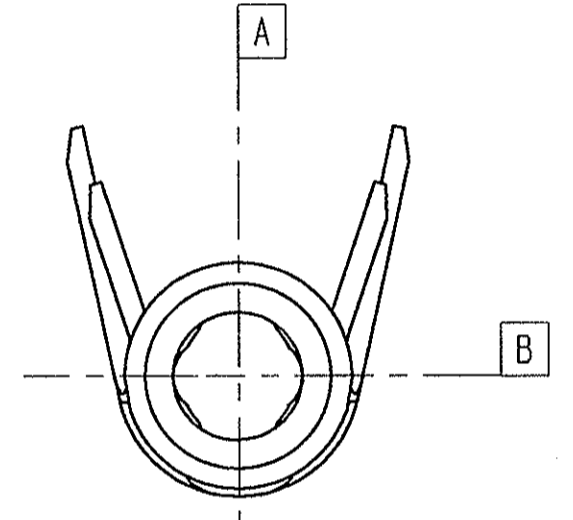
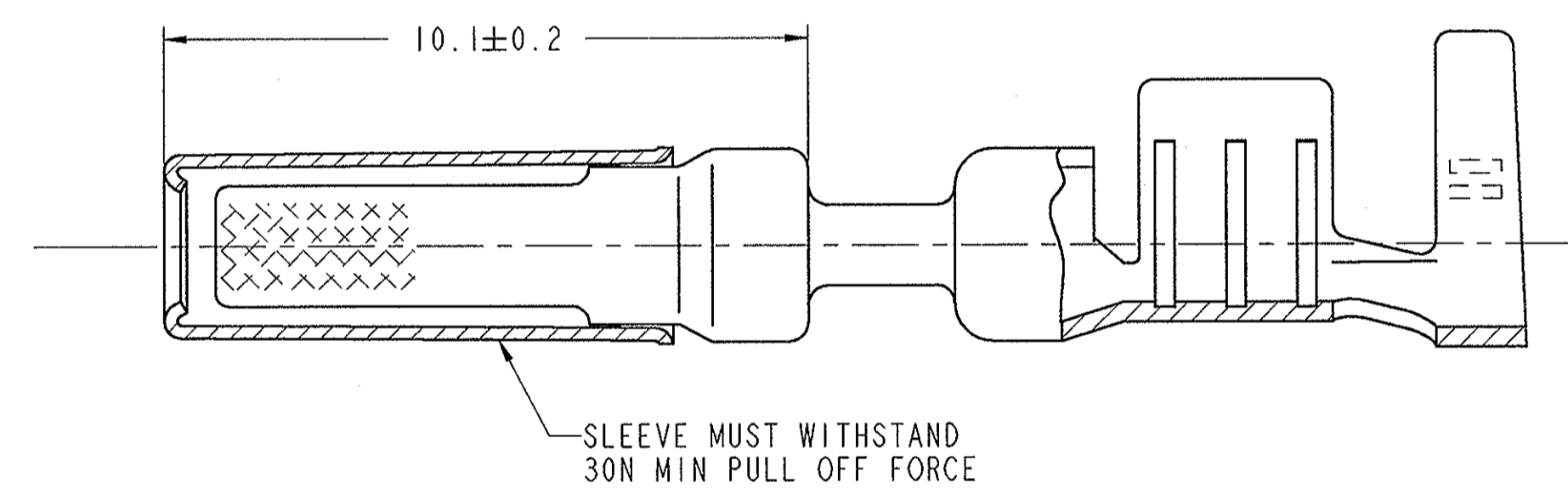
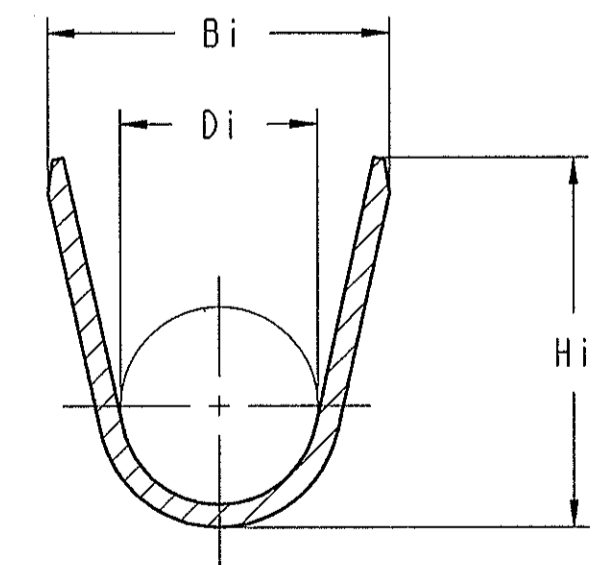
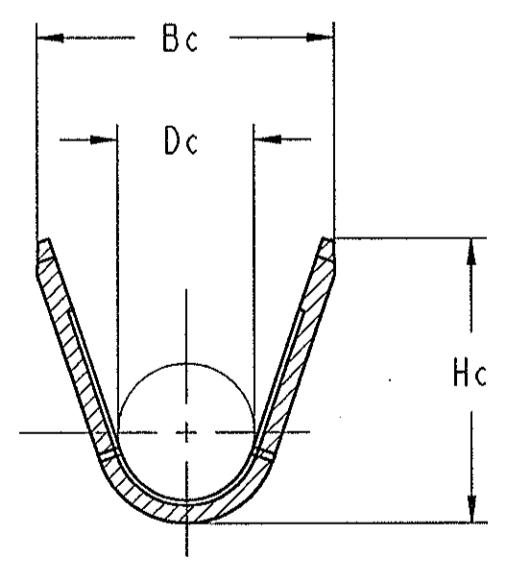
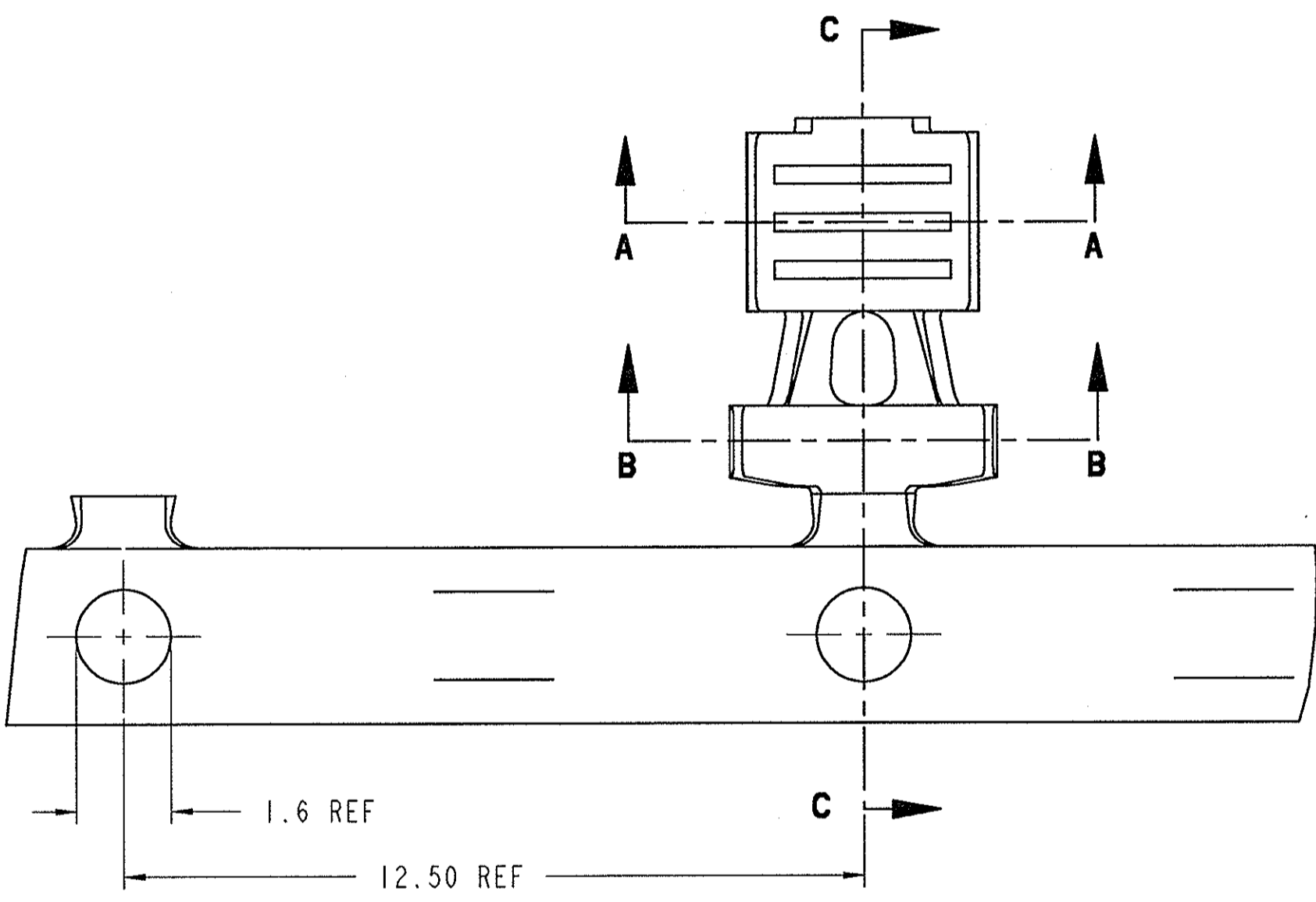
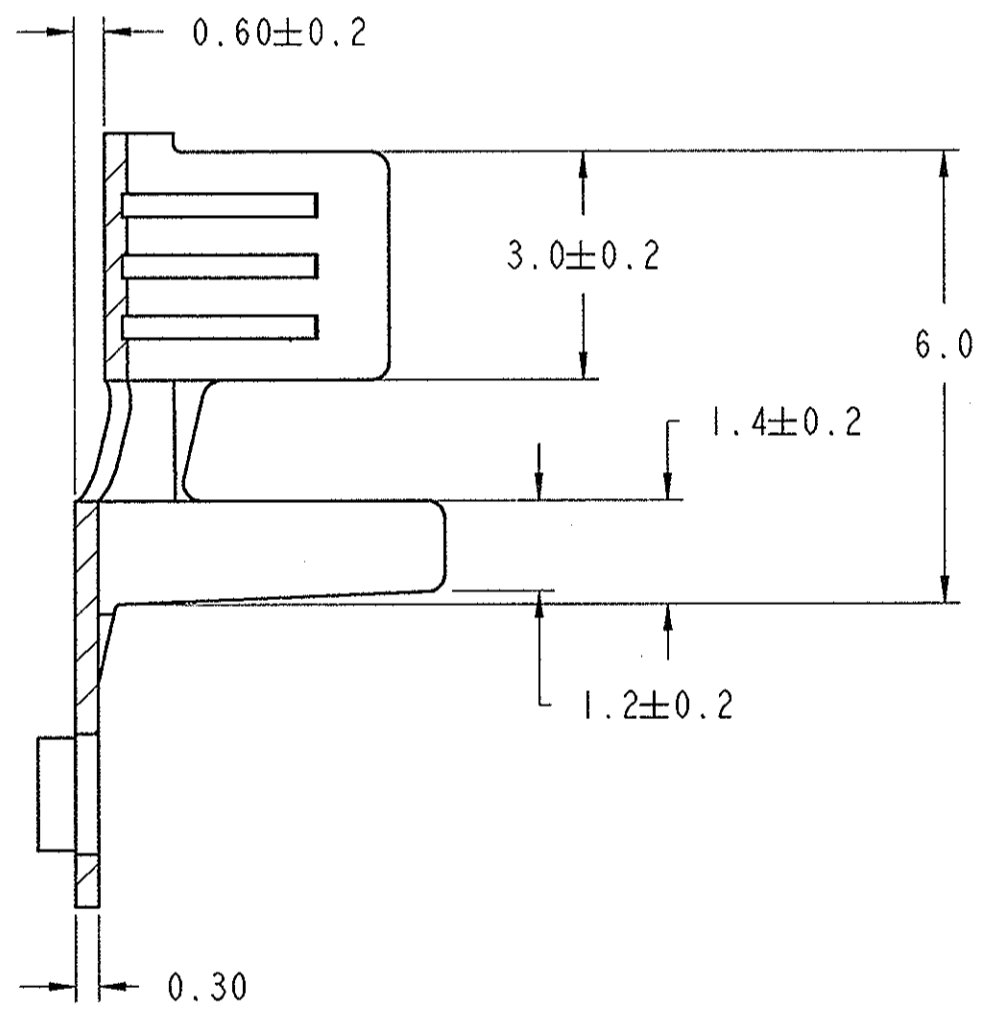
CRIMP TYPE	CRIMP AREA DIMENSION						CRIMP CODE	
	Bc	Dc	Hc	Bi	Di	Hi		
I	c	3.70 ±0.15	1.80 ±0.2	3.90 ±0.15	4.70 ±0.15	2.60 ±0.2	4.90 ±0.15	
	b	2.60 ±0.15	1.20 ±0.2	2.90 ±0.15	3.60 ±0.15	2.00 ±0.2	4.00 ±0.15	
	a	2.00 ±0.15	0.80 ±0.2	2.20 ±0.15	2.80 ±0.15	1.60 ±0.2	3.00 ±0.15	

FULL SIZE VIEWS
SCALE 1.000

FULL ASSY VIEW WATERPROOF
SCALE 2.000



SECTION C-C



- 1 SUPERSEDES 2-1437709-0
- 2 SUPERSEDES 2-1437709-1

PART AS SUPPLIED								COMPONENTS			MATERIALS			COMPONENTS SUPPLIED APART		TO FIT IN CAVITY	
P/N	PART REV.	DESCRIPTION	WATERPROOF	WIRE CROSS SEC. AREA	CRIMP CODE	CRIMP SPEC.	WEIGHT	TERMINAL	SLEEVE	WIRE SEAL	TERMINAL	SLEEVE	GREASE	WIRE SEAL	TYPE	DESCRIPTION	
0-1437709-9		TERMINAL FEMALE GOLD PLT.		0.22-0.35mm ²			0.402gr.	I	I	SEE CHART	DIN 17670 (CuSn6)	ALLOY 230 RICH LOW BRASS	INORGANIC GELLED SYNTHETIC HYDROCARBON OIL	1-1437713-1 (0.22-0.35)	AC/T/19/95	CAVITY TERMINAL FEMALE	
1-1437709-0	A	TERMINAL FEMALE GOLD PLT.	YES	0.50-1.00mm ²		AC/T/18/95	0.422gr.	I	I								
1-1437709-7		TERMINAL FEMALE GOLD PLT.		1.50-2.50mm ²			0.443gr.	I	I								
0-1437709-9		TERMINAL FEMALE GOLD PLT.		0.22-0.35mm ²			0.402gr.	I	I	NOT USED	(A)	TIN PLATED MATTE					
1-1437709-0	A	TERMINAL FEMALE GOLD PLT.	NO	0.50-1.00mm ²		AC/T/18/95	0.422gr.	I	I								
1-1437709-7		TERMINAL FEMALE GOLD PLT.		1.50-2.50mm ²			0.443gr.	I	I								

DIMENSIONS: 		TOLERANCES UNLESS OTHERWISE SPECIFIED: 0 PLC ± 1 PLC ±0.3 2 PLC ±0.1 3 PLC ± 4 PLC ± ANGLES ±1° FINISH:		OWN: M. PALMA 20 JUN 2007 CHK: R. MARTINI 20 JUN 2007 APVD: A. GENTA 20 JUN 2007 PRODUCT SPEC: 108-20260 APPLICATION SPEC: 114-20121 WEIGHT: - CUSTOMER DRAWING	tyco Electronics tyco Electronics AMP ITALIA S.p.A. Corso F.lli Cervi, 15 Collegno (TO)	NAME: I,6 SYSTEM TERMINAL FEMALE GOLD PLATED SIZE: A1 CAGE CODE: 00779 DRAWING NO: C=1418069 RESTRICTED TO: - SCALE: 10:1 SHEET: 2 of 2 REV: P
-----------------	--	--	--	---	---	---