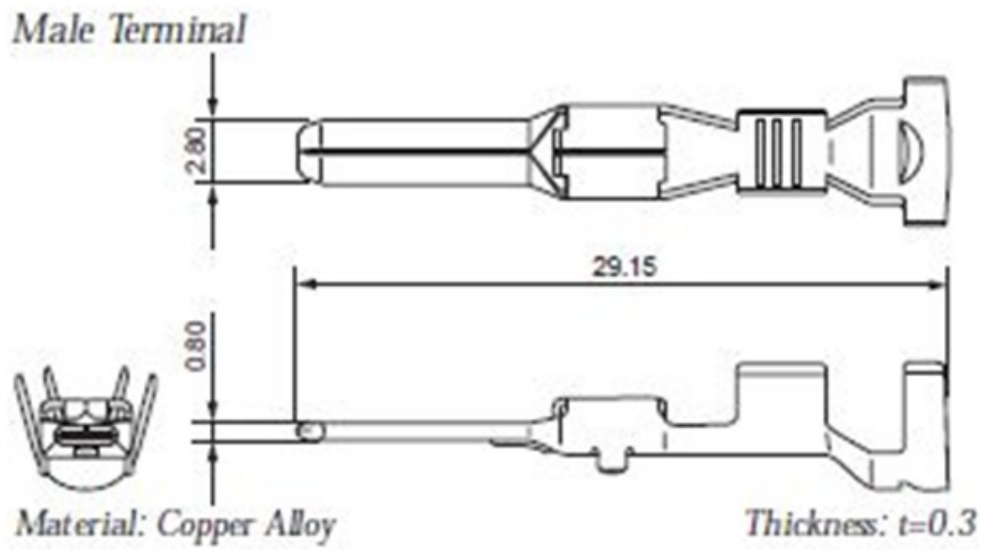


# YES Connector 2.8(110) Male Terminal



(Unit:mm)

# Specifications

Classified Parts	Terminal
Family	*2 <a href="#">YES/YESC Kaizen Connectors</a>
Type	2.8X0.8
Yazaki Part Number	7114-4150-02
Connection Type	Wire to Wire
Unsealed/Seald	Sealed
Male/Female	Male
Number of Poles	-
Tab Width mm(inches)	2.8(110)
Material	Copper Alloy
Plating	Tin Plating
Color	-
Rating	-
Mating Part Numbers	<a href="#">7116-4150-02</a>
Product Specification No.	YPES-11-04-062
Instruction Manual No.	YPES-15-299

Product Specification	
Allowable Current(Ref.)	Refer to the table of Housing
Low Level Contact Resistance	Refer to the table of Housing
Insulation Resistance	Refer to the table of Housing
Withstanding Voltage	Refer to the table of Housing
Temperature Range	Refer to the table of Housing

Application List of Installable Components		
Wire Type	Wire Size(mm <sup>2</sup> )	Wire Seals
CAVS	0.3	<a href="#">7158-3111-60</a>

\*3)Heavy Duty Type, \*4)Single Pole Type, \*5)Material NBR, \*6)5mm pitch, \*7)5.5mm pitch

\*8)For installable components for the hybrid series, refer to the related component table.

\*9)Operating Temperature Range includes temperature rise caused by current flow.

## «Note for Purchase»

This brochure includes information on the parts developed jointly with particular customer(s) and approval from the customer(s) may be required for sales.

We would appreciate it if you could contact us prior to purchase.