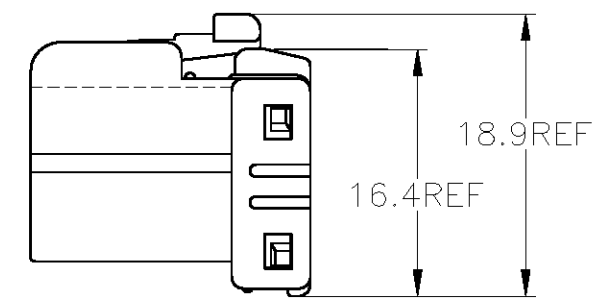
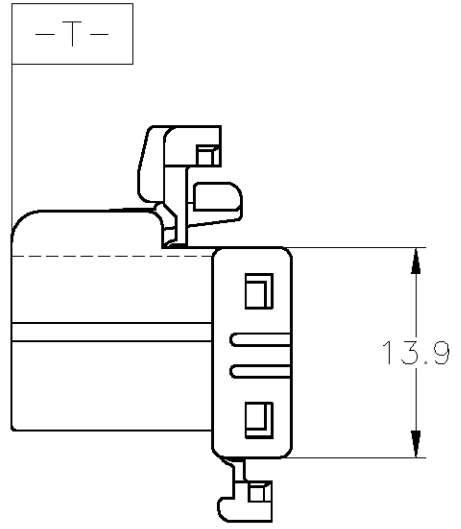
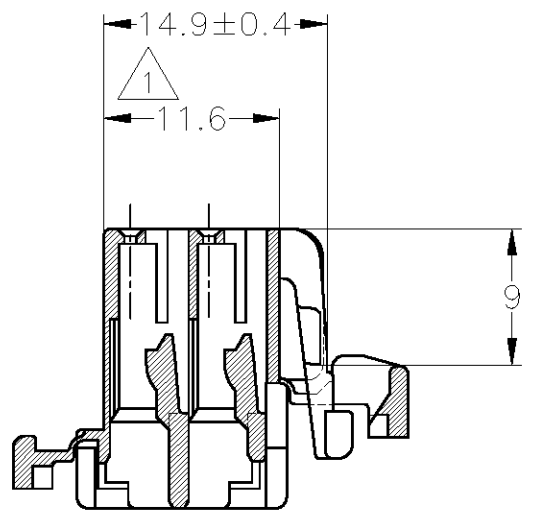
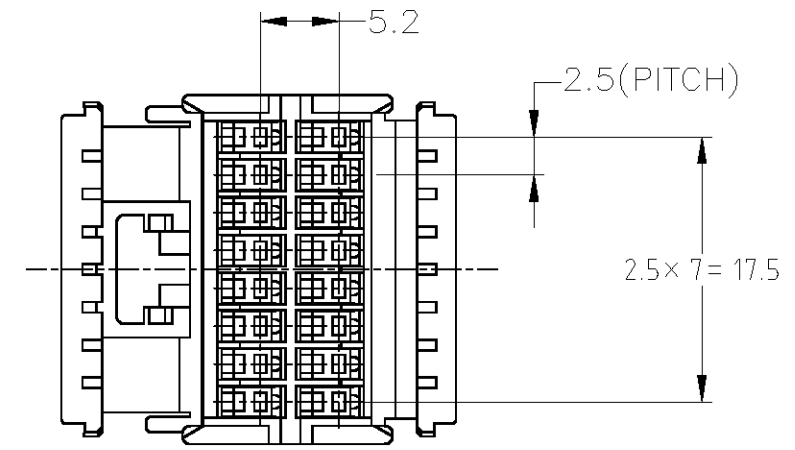
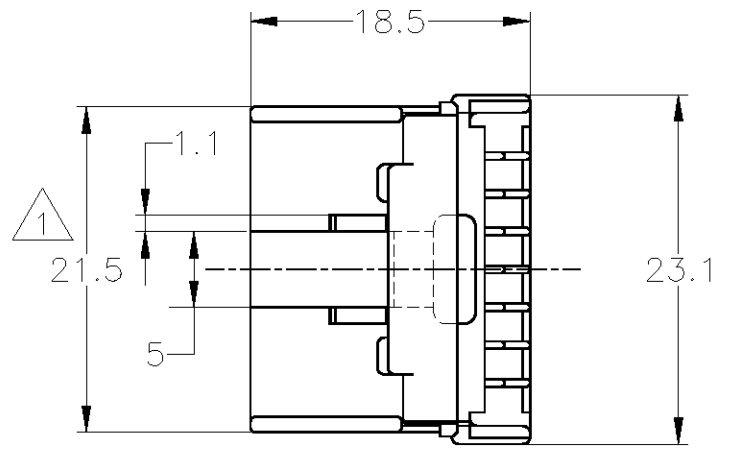
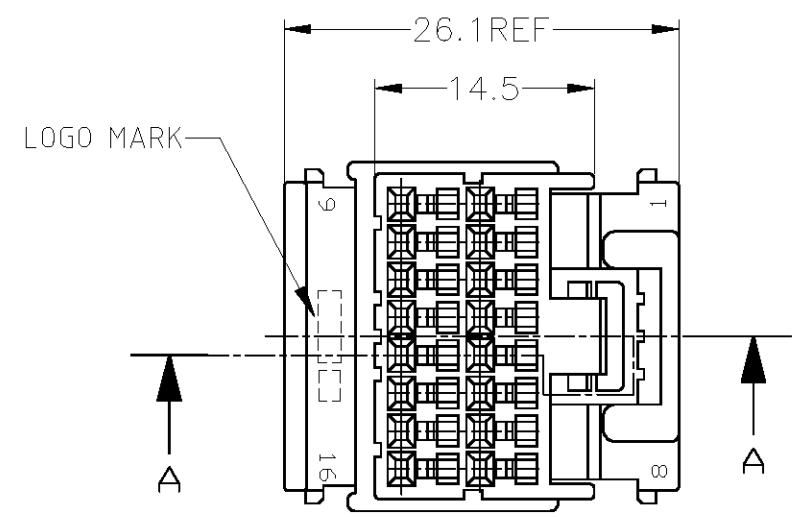


THIS DRAWING IS UNPUBLISHED. RELEASED FOR PUBLICATION
 © COPYRIGHT - By - ALL RIGHTS RESERVED.

LOC	DIST	REVISIONS						
		P	LTR	DESCRIPTION	DATE	DWN	APVD	
J	-		F3	REVISED	ECR-13-018510	07JAN2014	TS	KB



二重ロック時
DOUBLE LOCKED

OBSOLETE	青 (BLUE)	174046-5
	緑 (GREEN)	174046-4
	黒 (BLACK)	174046-2
	白 (WHITE)	174046-1
	色 (COLOR)	製品型番 (PART NO.)

- 1. TO BE MEASURED WITHIN 2mm FROM [-T-]
- 2. APPLICABLE PRODUCT SPEC. NUMBER: 108-5244
- 3. THE MATING CAP HOUSING NUMBERS: 174975, 174053, 174979, 174146 AND 174151
- 4. APPLIED CONTACT PART NUMBER: 173681, 175180

- 1. [-T-] 面より 2mm の範囲で測定
- 2. 適用製品規格番号: 108-5244
- 3. 嵌合相手ハウジング型番: 174975, 174053, 174979, 174146 AND 174151
- 4. 内装するコンタクト型番: 173681, 175180

一般公差 (GENERAL TOLERANCES)	
0 < * < 10	± 0.2
10 < * < 30	± 0.25
30 < * < 100	± 0.3
角度 (ANGLES)	± 3°

THIS DRAWING IS A CONTROLLED DOCUMENT.		DWN M.KADOSAKI 04AUG05	TE Connectivity														
DIMENSIONS: 単位: 耗 mm		CHK T.SHINOHARA 04AUG05															
TOLERANCES UNLESS OTHERWISE SPECIFIED: 一般公差		APVD K.BETSUI 04AUG05	NAME 名称														
<table border="1"> <tr><td>0 PLC</td><td>± -</td></tr> <tr><td>1 PLC</td><td>± -</td></tr> <tr><td>2 PLC</td><td>± -</td></tr> <tr><td>3 PLC</td><td>± -</td></tr> <tr><td>4 PLC</td><td>± -</td></tr> <tr><td>ANGLES</td><td>± -</td></tr> </table>		0 PLC	± -	1 PLC	± -	2 PLC	± -	3 PLC	± -	4 PLC	± -	ANGLES	± -	PRODUCT SPEC 製品規格 SEE NOTE 2	040 SERIES MULTI-LOCK CONNECTOR 16POSITION PLUG HSG		
0 PLC	± -																
1 PLC	± -																
2 PLC	± -																
3 PLC	± -																
4 PLC	± -																
ANGLES	± -																
MATERIAL 材料 PBT		FINISH 仕上	APPLICATION SPEC 取付適用規格	SIZE	CAGE CODE	DRAWING NO 番号	RESTRICTED TO										
			WEIGHT 3.5 g	A3	00779	C-174046	-										
CUSTOMER DRAWING				SCALE 尺度 2:1	SHEET 1 OF 1	REV F3											