

| LOC | | DIST | | REVISIONS | | | |
|-----|-----|-----------------------------|-----------|-----------|------|--|--|
| P | LTN | DESCRIPTION | DATE | DWN | APVD | | |
| A | | NEW RELEASE | 09MAR2017 | JA | DM | | |
| B | | REVISED PER PCN E-17-010843 | 21MAR2018 | JA | DM | | |

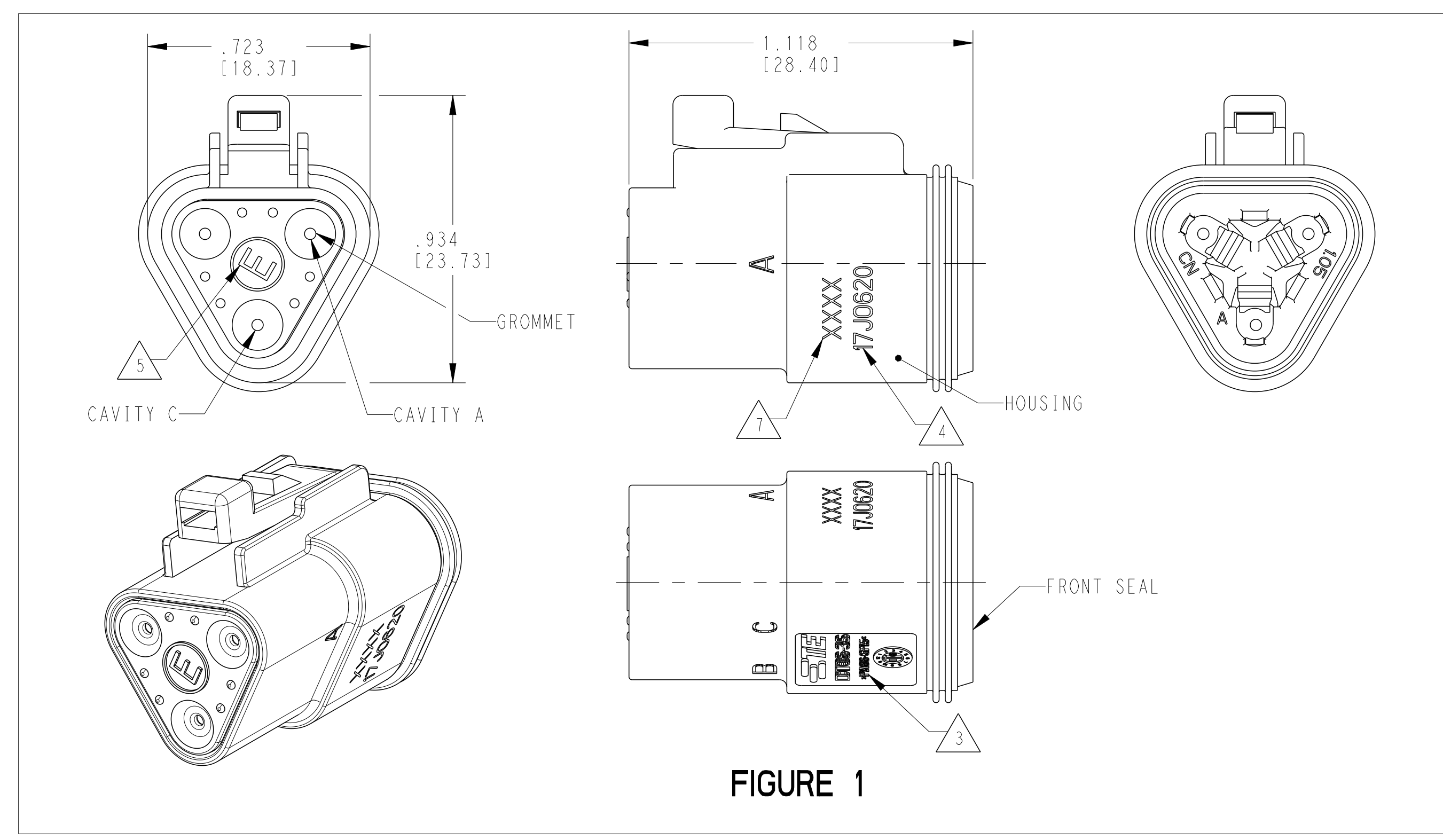


FIGURE 1

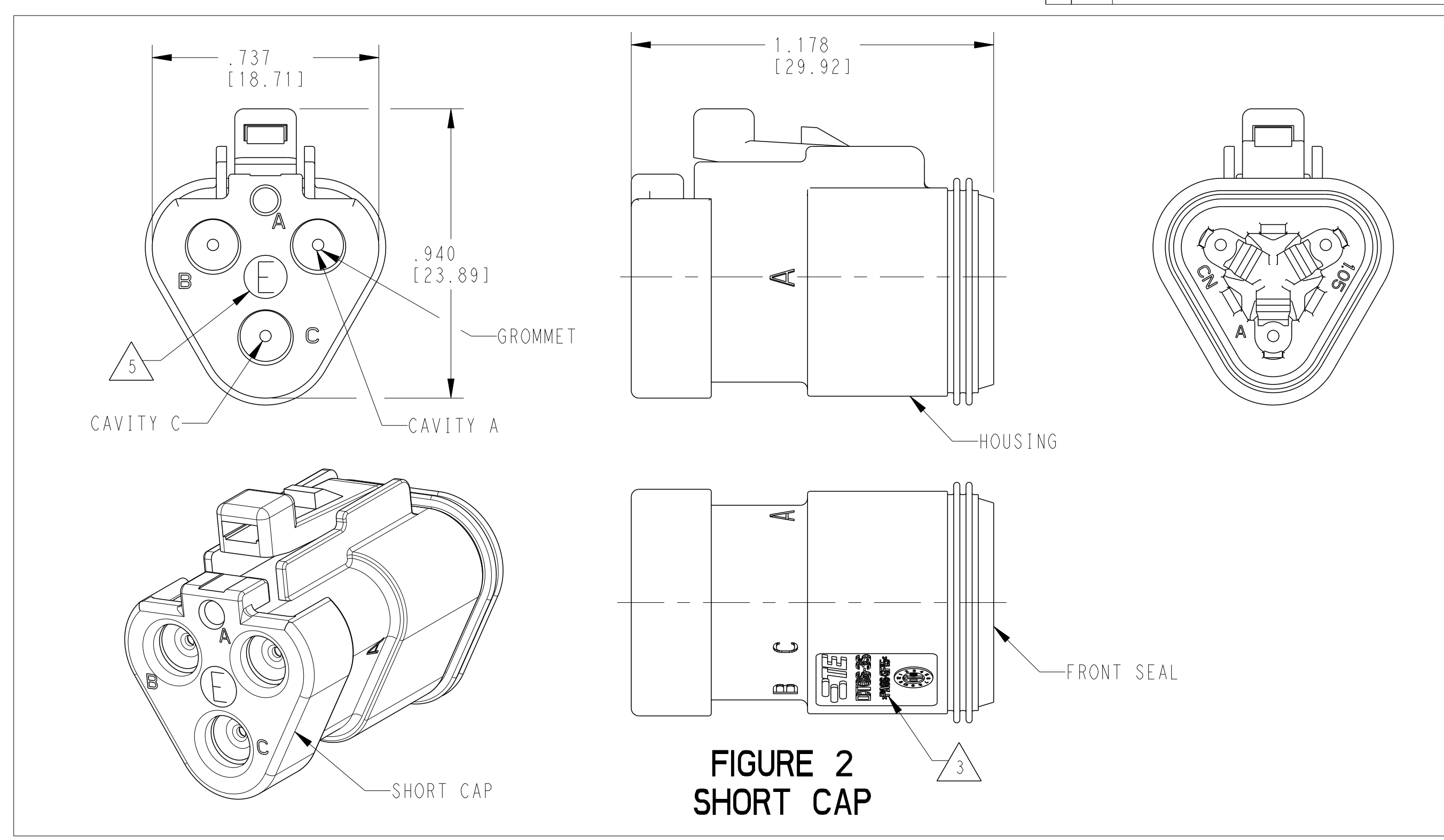


FIGURE 2
SHORT CAP

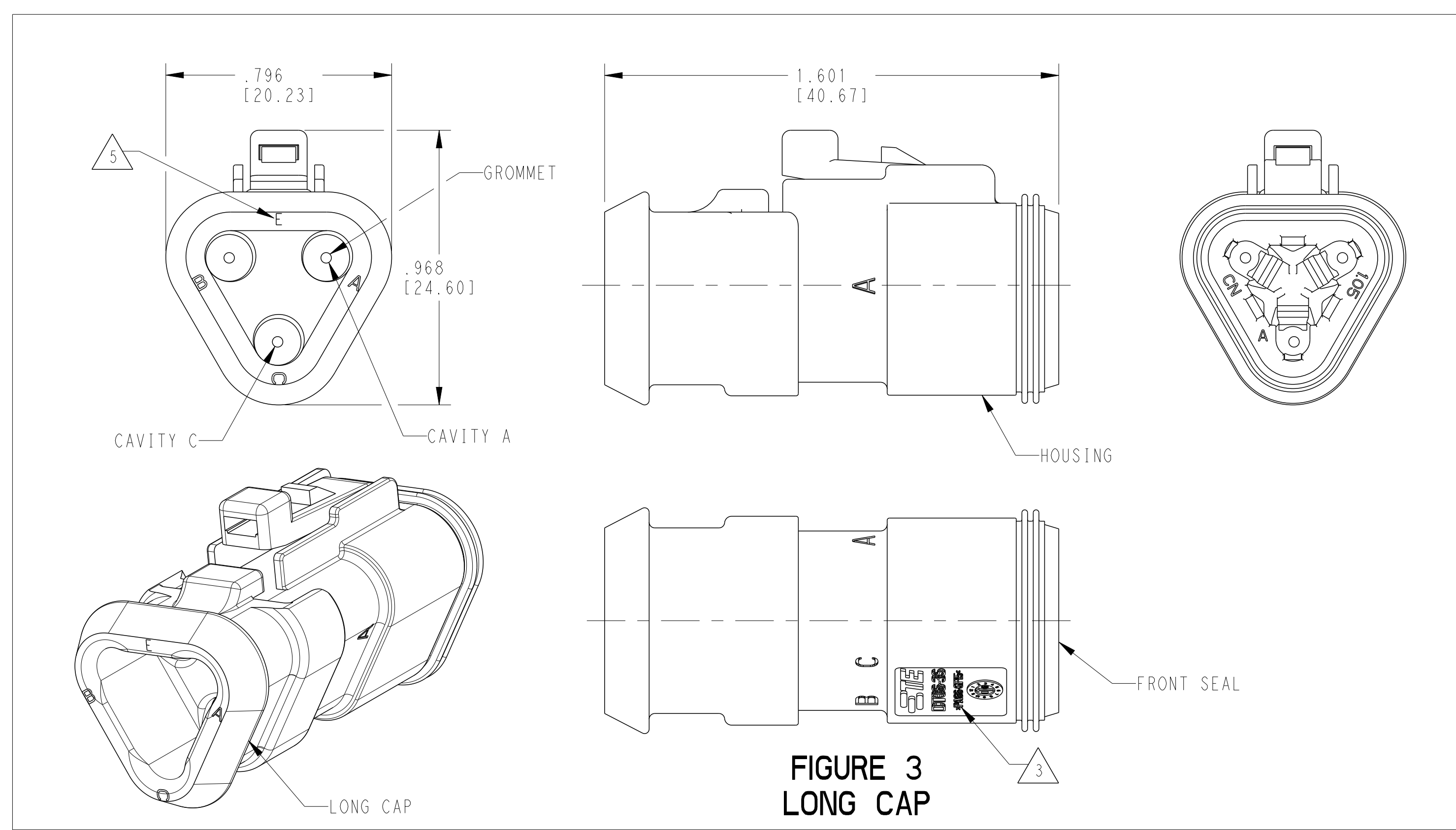


FIGURE 3
LONG CAP

| CONTACT SIZE | WIRE RANGE | INSULATION OD SEALING RANGE | SEAL IDENTIFICATION |
|--------------|--|-----------------------------|---------------------------|
| 16 | 14-20 AWG [2.5-0.5mm ²] | .088-.145 [2.23-3.68] | STANDARD SEAL |
| | | .053-.120 [1.35-3.05] | EXTRA THIN SEAL E-SEAL |

| TE INTERNAL PART NUMBER | DEUTSCH PART NUMBER | PN REV | COLOR | STANDARD SEAL GROMMET | EXTRA THIN SEAL E-SEAL GROMMET | SHORT CAP | LONG CAP | FIGURE |
|-------------------------|---------------------|--------|-------|-----------------------|--------------------------------|-----------|----------|--------|
| DT06-3S | DT06-3S | A | GREY | X | | | | 1 |
| DT06-3S-C015 | DT06-3S-C015 | A | GREY | | X | | | 1 |
| DT06-3S-CE01 | DT06-3S-CE01 | A | GREY | | X | X | | 2 |
| DT06-3S-CE02 | DT06-3S-CE02 | A | BLACK | | X | | | 1 |
| DT06-3S-CE04 | DT06-3S-CE04 | A | GREY | | X | | X | 3 |
| DT06-3S-CE05 | DT06-3S-CE05 | A | BLACK | | X | X | | 2 |
| DT06-3S-CE06 | DT06-3S-CE06 | A | BLACK | | X | | | 1 |
| DT06-3S-CE13 | DT06-3S-CE13 | A | BLACK | | X | | X | 3 |
| DT06-3S-E003 | DT06-3S-E003 | A | GREY | X | | X | | 2 |
| DT06-3S-E004 | DT06-3S-E004 | A | BLACK | X | | | | 1 |
| DT06-3S-E005 | DT06-3S-E005 | A | BLACK | X | | X | | 2 |
| DT06-3S-E008 | DT06-3S-E008 | B | GREY | X | | | X | 3 |
| DT06-3S-EP04 | DT06-3S-EP04 | B | GREY | X | | X | | 2 |
| DT06-3S-EP06 | DT06-3S-EP06 | B | BLACK | X | | X | | 2 |
| DT06-3S-EP11 | DT06-3S-EP11 | B | BLACK | X | | | X | 3 |
| DT06-3S-P004 | DT06-3S-P004 | B | GREY | X | | | | 1 |
| DT06-3S-P012 | DT06-3S-P012 | A | BLACK | X | | | | 1 |

3 MATERIAL: HOUSING: PA66 GF15, SEE TABLE FOR COLOR
 SHORT, LONG CAP: PA66 GF15, SEE TABLE FOR COLOR
 GROMMET: VMQ (RED-ORANGE)
 FRONT SEAL: VMQ (RED-ORANGE)

2. THIS PLUG MATES WITH DT04-3P-XXXX PLUG.
 (XXXX = ALL MODIFICATIONS)

1. SECONDARY WEDGE LOCK SOLD SEPARATELY: W3S-XXXX.
 (XXXX = ALL MODIFICATIONS)
 W3S OR W3S-P012 MAY BE USED WITH THESE PLUGS,
 W3S-P012 IS RECOMMENDED.

7 XXXX IDENTIFIES THE MODIFICATION NUMBER, IF APPLICABLE.
 EXAMPLE: "E003" FOR DT06-3S-E003,
 OR BLANK FOR DT06-3S.

6. FOR CONTACTS AND WIRE PERFORMANCE AND APPLICATION CHARACTERISTICS SEE CUSTOMER DRAWING 0425-015-0000.

5 "E" IDENTIFIES E-SEAL.

4 DATE CODE: IDENTIFIES THE YEAR, MONTH, DAY AND HOUR OF ASSEMBLY.
 YEAR: FIRST AND SECOND DIGITS. (17 = 2017)
 MONTH: THIRD DIGIT, EXCLUDING 1. A = JAN, B = FEB,
 C = MARCH ... (K = OCTOBER)
 DAY: FOURTH AND FIFTH DIGITS (14 = 14th DAY)
 HOUR: SIXTH AND SEVENTH DIGITS (11 = 11AM)

NOTES: UNLESS OTHERWISE SPECIFIED

THIS DRAWING IS A CONTROLLED DOCUMENT. DWN: J. APOSTOL 07NOV2016
 CHK: R. MESSENGER 07NOV2016
 APVD: D. MEYER 07NOV2016

TE Connectivity

3 WAY PLUG, STANDARD SEAL
 EXTRA THIN SEAL, SHORT CAP AND
 LONG CAP, DT SERIES

SIZE: A1 CAGE CODE: 4AFU8 DRAWING NO: DT06-3S-XXXX SHEET 1 OF 1 REV B

SCALE: 3:1