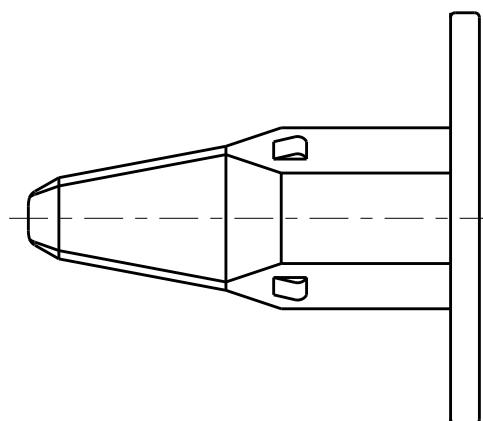
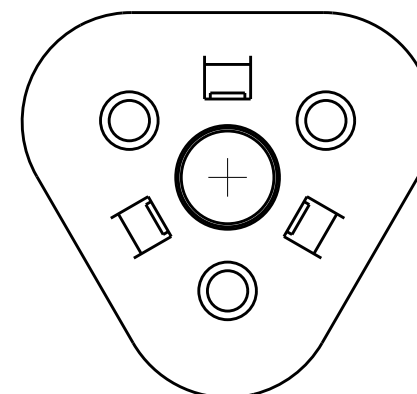
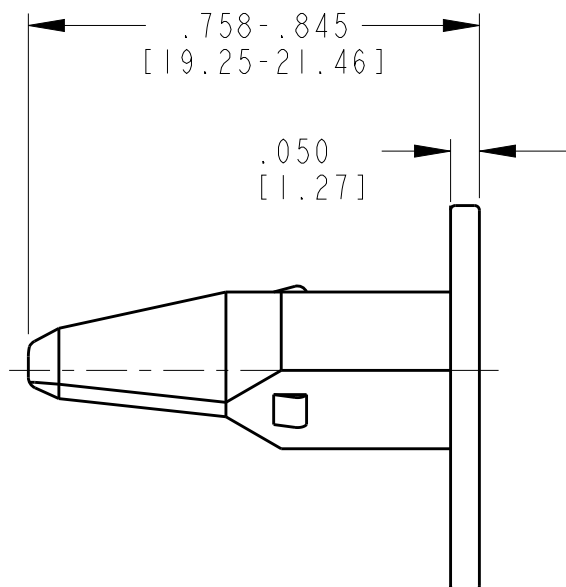
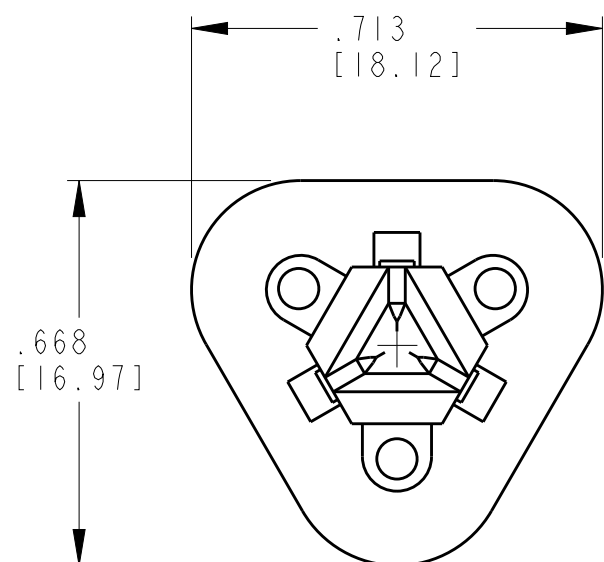


THIS DRAWING IS UNPUBLISHED
 RELEASED FOR PUBLICATION
 20
 © COPYRIGHT 2017 BY - TE CONNECTIVITY ALL RIGHTS RESERVED.

REVISIONS					
P	LTR	DESCRIPTION	DATE	DWN	APVD
	E	REVISED PER PCN E-17-001289	16JAN2017	CM	DM




TE INTERNAL PN	DEUTSCH PN
W3S	W3S

2. MATERIAL: PBT 30% GF (ORANGE)

1. THIS WEDGE MAY BE USED WITH DT06-3S-XXXX PLUG (XXXX = ALL MODIFICATIONS). CONSULT FACTORY FOR MODIFICATION AND APPLICATION.

NOTES:

THIS DRAWING IS A CONTROLLED DOCUMENT.		DWN A. LEE 04FEB1997	 TE Connectivity WEDGE LOCK FOR 3 WAY PLUG STANDARD TYPE DT SERIES			
DIMENSIONS: INCHES [mm]		CHK B. BYFORD 14NOV2008				
TOLERANCES UNLESS OTHERWISE SPECIFIED:		APVD S. BEARD 13NOV2008				
0 PLC ± 1 PLC ± 2 PLC ± 3 PLC ±.025 [0.64] 4 PLC ± ANGLES ±0°30'0"		PRODUCT SPEC -				
MATERIAL 2	FINISH -	APPLICATION SPEC -	SIZE A3	CAGE CODE 4AFU8	DRAWING NO G-W3S	RESTRICTED TO -
CUSTOMER DRAWING			WEIGHT 0.97 g	SCALE 3:1	SHEET 1 OF 1	REV E