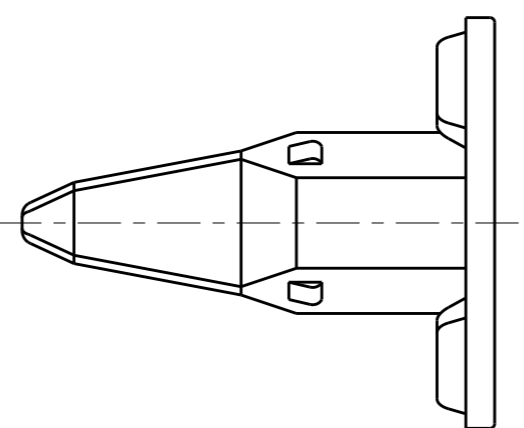
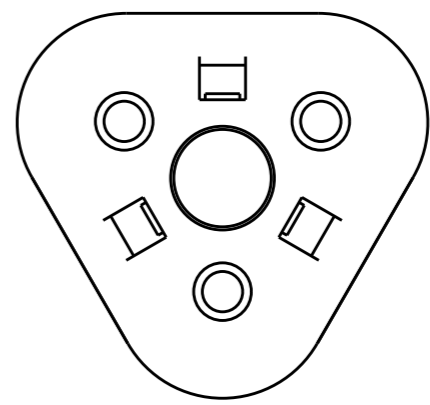
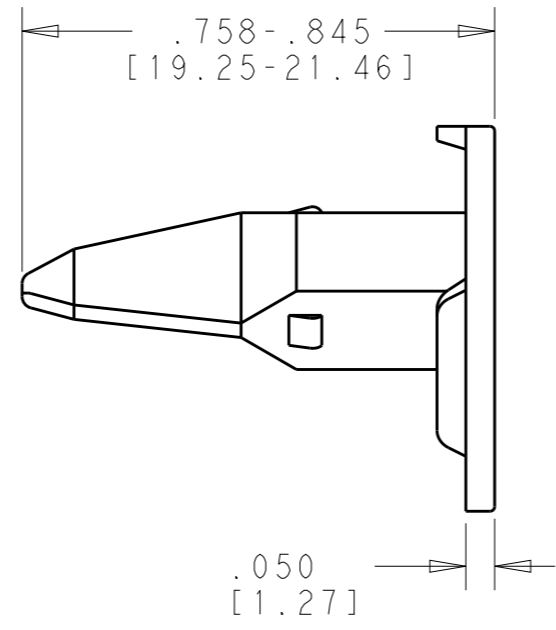
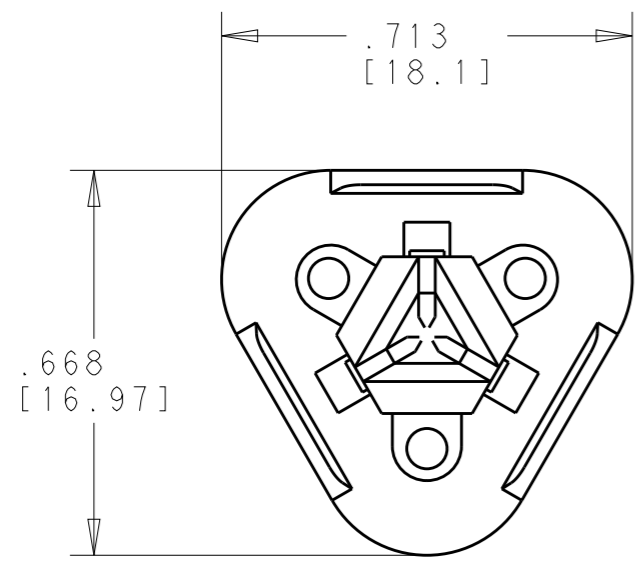


THIS DRAWING IS UNPUBLISHED
 RELEASED FOR PUBLICATION
 20
 © COPYRIGHT 2017 BY - TE CONNECTIVITY ALL RIGHTS RESERVED.

REVISIONS					
P	LTR	DESCRIPTION	DATE	DWN	APVD
	C	REVISED PER PCN E-17-001289	16JAN2017	CM	DM




TE INTERNAL PN	DEUTSCH PN
W3S-P012	W3S-P012

2. MATERIAL: PBT 30% GF (GREEN)

1. THIS WEDGE MAY BE USED WITH DT06-3S-XXXX PLUG (XXXX = ALL MODIFICATIONS). CONSULT FACTORY FOR MODIFICATION AND APPLICATION.

NOTES:

THIS DRAWING IS A CONTROLLED DOCUMENT.		DWN R. OCHOA 14OCT1998	 TE Connectivity NAME WEDGE LOCK FOR 3-PIN PLUG RETENTION TYPE D.T. SERIES -			
DIMENSIONS: INCHES [mm]		CHK B. BYFORD 01DEC2005				
TOLERANCES UNLESS OTHERWISE SPECIFIED:		APVD S. BEARD 29NOV2005				
0 PLC ± 1 PLC ± 2 PLC ± 3 PLC ±.025 [0.64] 4 PLC ± ANGLES ±0°30'0"		PRODUCT SPEC -				
MATERIAL 2	FINISH -	APPLICATION SPEC -	SIZE A3	CAGE CODE 4AFU8	DRAWING NO. W3S-P012	RESTRICTED TO -
CUSTOMER DRAWING			WEIGHT 1.03 g	SCALE 3:1	SHEET 1 OF 1	REV C