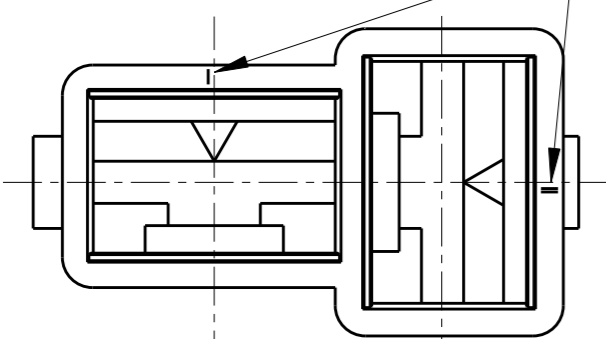


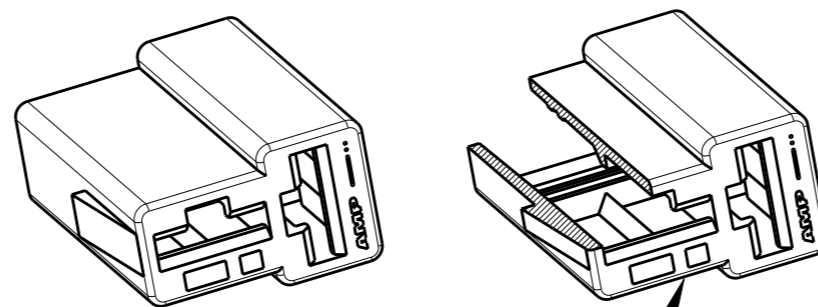
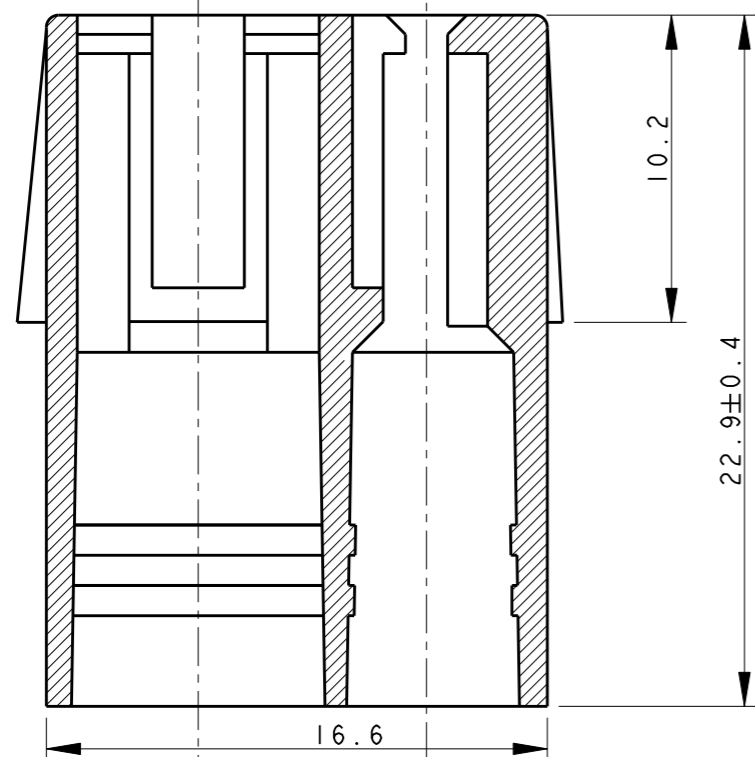
LOC	DIST	REVISIONS			
P	LTR	DESCRIPTION	DATE	DWN	APVD
1	-	AA8	REVISED PER ECO-11-005301	28MAR2011	RK HMR

SCALE 4:1

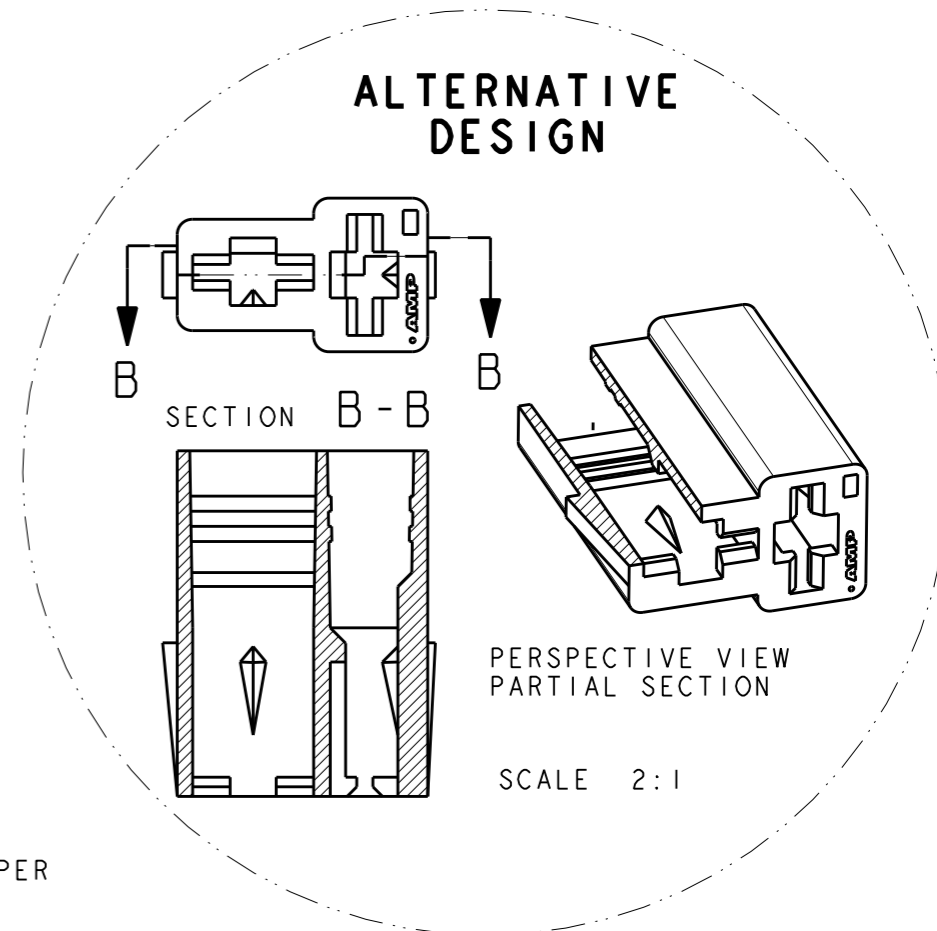
CIRCUIT IDENTIFICATION



SECTION A-A



PERSPECTIVE VIEW PARTIAL SECTION



ALTERNATIVE DESIGN

SECTION B-B

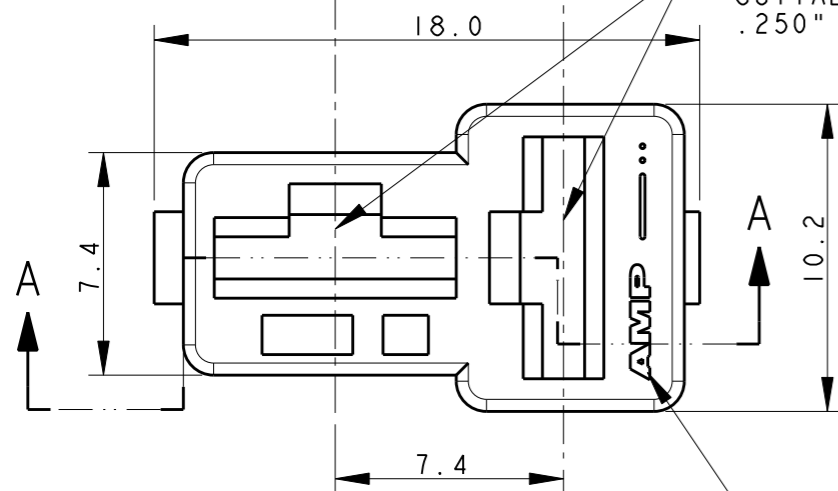
PERSPECTIVE VIEW PARTIAL SECTION

SCALE 2:1

- 1 SAME AS 0-180907-0 BUT SPECIAL PACKAGING, ON CARTON BOX, TWO PLASTIC BAG WITH 3000 PIECES ON EACH.
- 2 NOT YET RELEASED FOR PRODUCTION
- 3 OBSOLETE PARTS: OBSOLETE CIS STREAMLINING PER D.REANUD/D.SINISI

3	OBSOLETE	HEAT STABILIZED MATERIAL	BLACK	POLYAMIDE 6.6, UL 94 V2	4-180907-0	AA
			NATURAL	POLYAMIDE 6.6	3-180907-0	AA
			NATURAL	POLYAMIDE 6.6	2-180907-0	AA
		ACC. TO IEC 60335-1	NATURAL	POLYAMIDE 6.6, UL 94 V0	1-180907-6	AA
		UL APPROVED	NATURAL	NYLON 6.6; ZYTEL 101L	1-180907-0	AA
			BLACK	POLYAMIDE 6.6	0-180907-5	AA
			YELLOW		0-180907-4	O
			BLUE		0-180907-3	AA
			RED		0-180907-1	AA
			NATURAL		0-180907-0	AA
		NOTES	COLOUR	MATERIAL	P/N	REV

TYPICAL CAVITY SUITABLE FOR .250" SRS FASTIN-FASTON* REC. CONTACT



TE AMP TRADEMARK (OPTIONAL)

THIS DRAWING IS A CONTROLLED DOCUMENT.		DWN H. YAALI 14JUN2002	TE Connectivity	
DIMENSIONS: mm		CHK C. TARTARI		
TOLERANCES UNLESS OTHERWISE SPECIFIED:		APVD -	NAME	
0 PLC ±		PRODUCT SPEC 108-20020	2 WAY FASTIN-FASTON RECEPTACLE HOUSING .250 SERIES	
1 PLC ±0.3		APPLICATION SPEC 114-2025	RESTRICTED TO	
2 PLC ±		WEIGHT -	SIZE A3	CAGE CODE 00779
3 PLC ±		CUSTOMER DRAWING	DRAWING NO C-180907	REV AA8
4 PLC ±			SCALE 4:1	SHEET 1 OF 1
ANGLES ±°				
FINISH -				