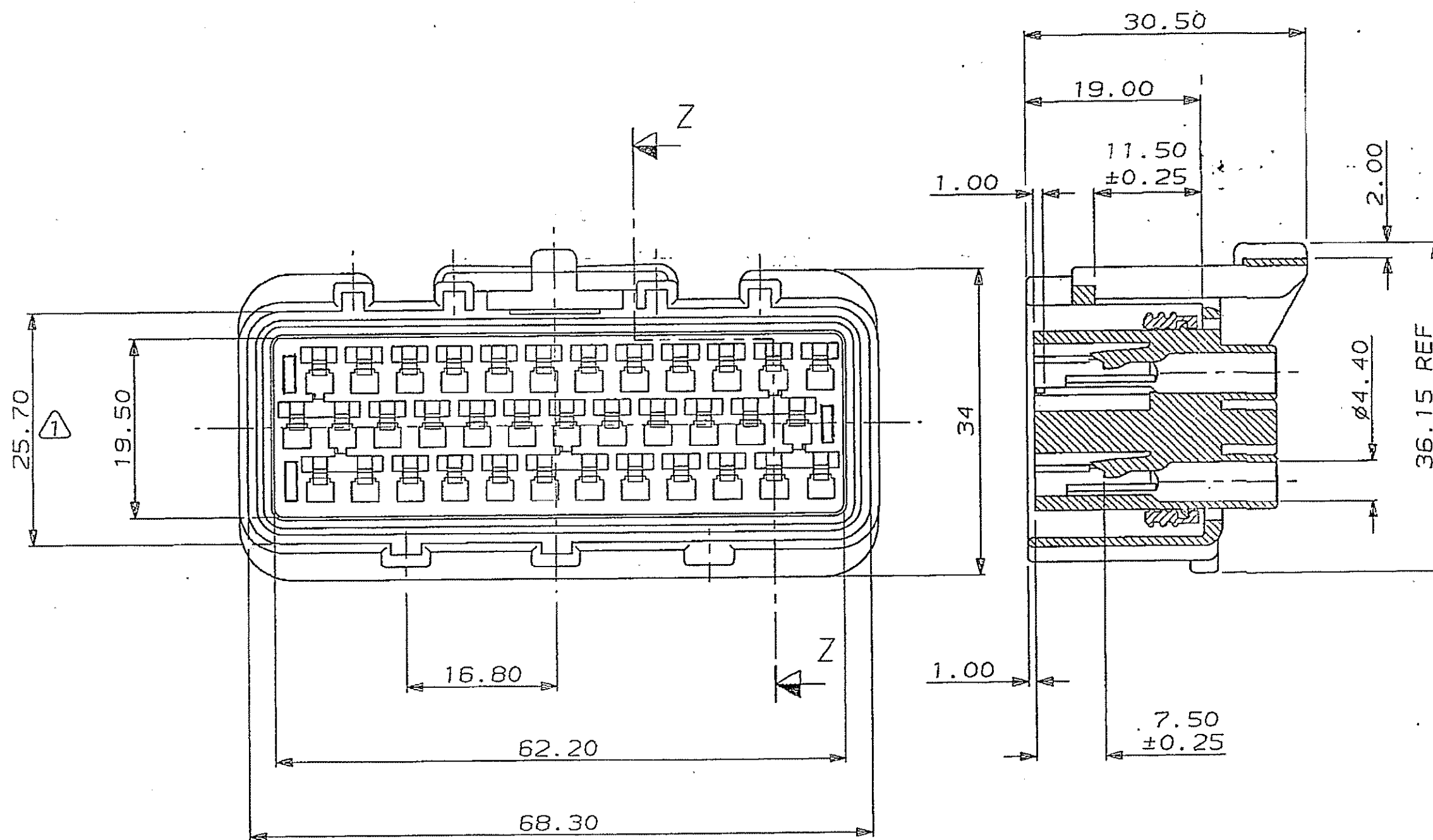
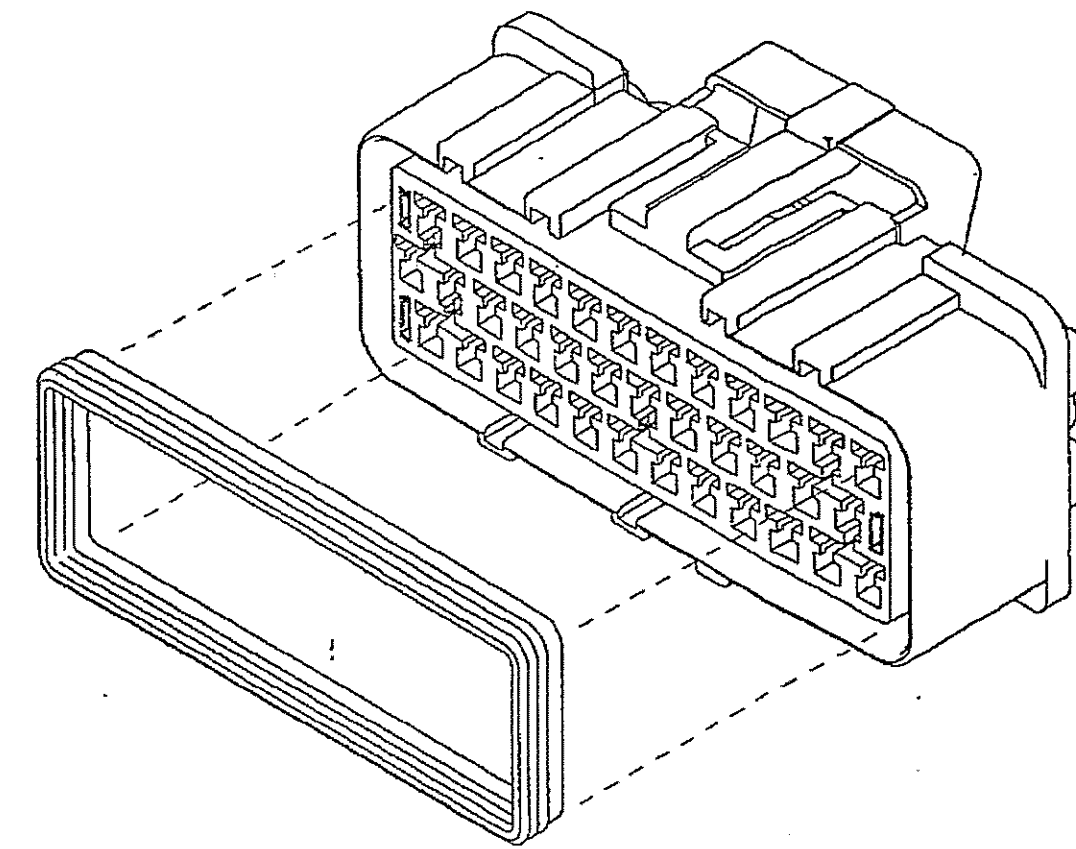
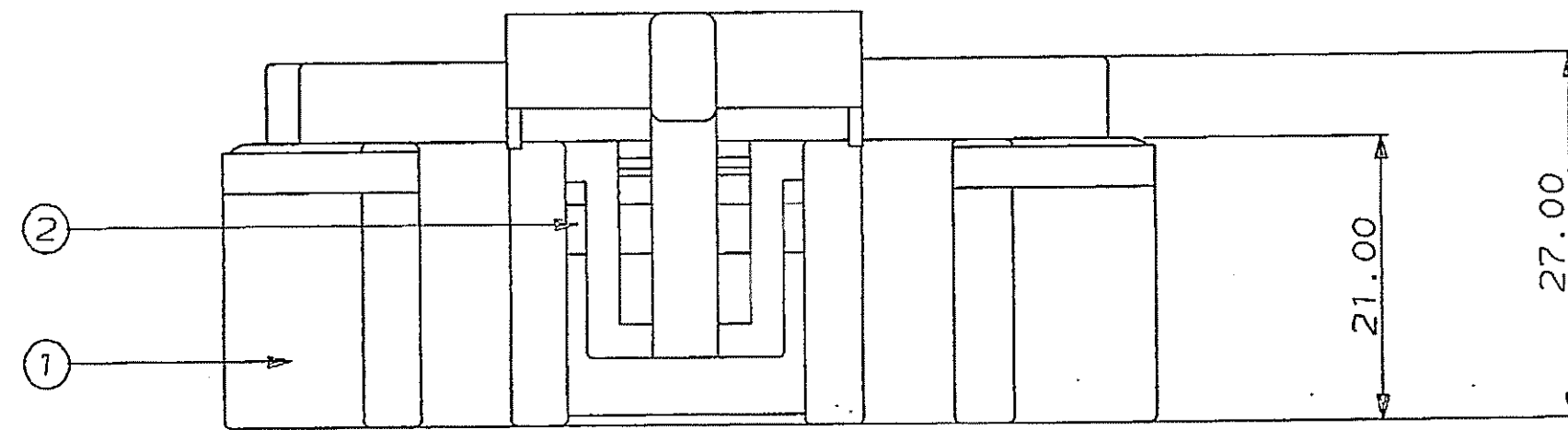
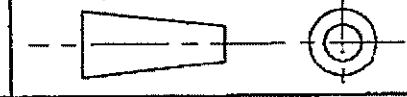


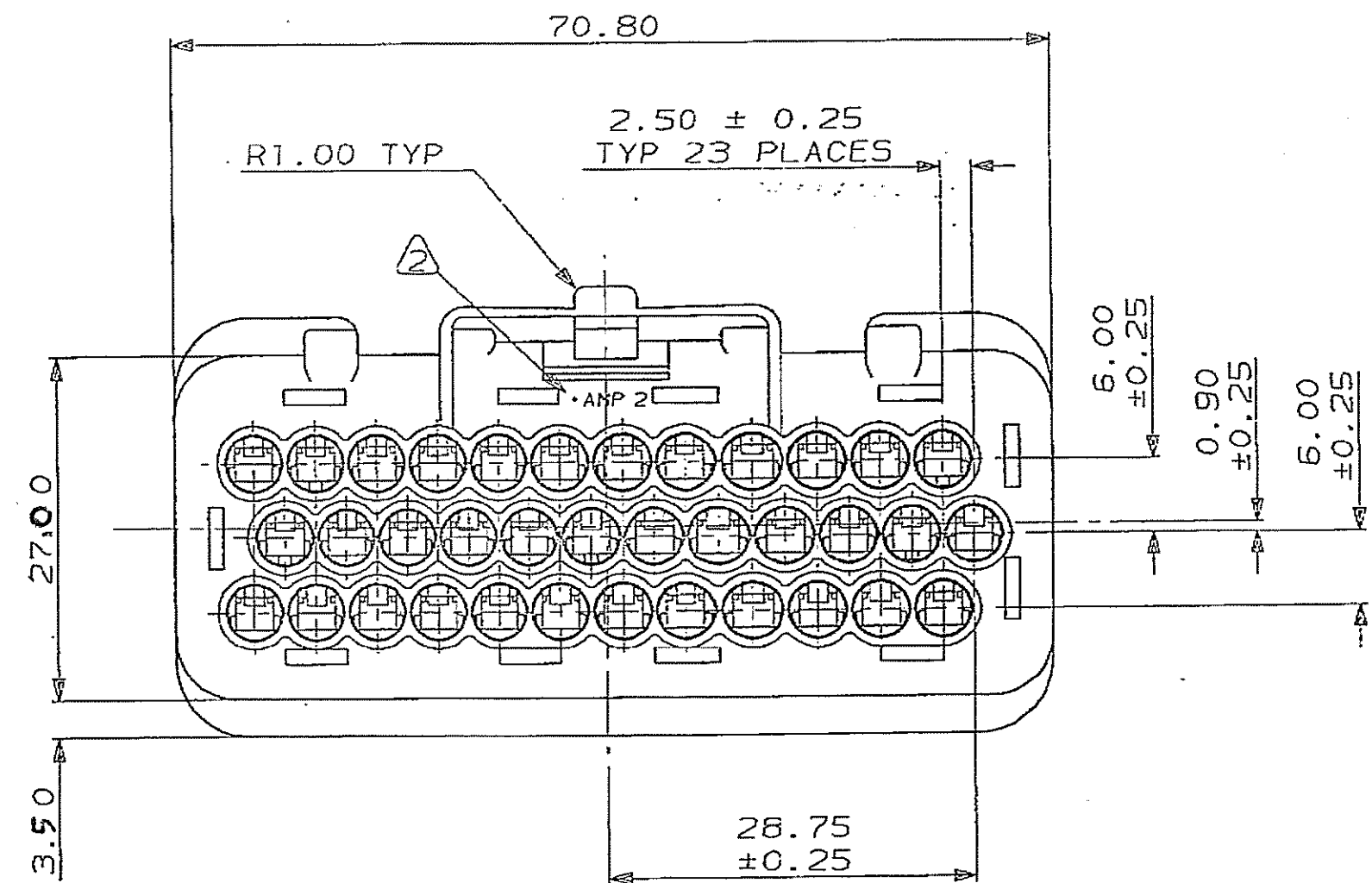
C.A.D. FILE CODE
S. C344111.J

DO NOT SCALE

DIMENSIONS IN MM.



SECTION Z-Z



NOTES:

- THIS DIM. TO APPLY AT THE CORNERS OF THE SHROUD. AT THE POINT OF MAXIMUM BOW, THIS DIM. IS TO BE 23.60 MIN. THIS IS A CONTROL DIM. MONITORED AT AMP.
- AMP STAMP, DOT CODE & IMPRESSION NUMBER

2	SILICONE RUBBER	ORANGE	PERIPHERAL SEAL	1	344111-1
1	NYLON 66	BLACK	36 WAY REC. HSG.	1	
ITEM No.	MATERIAL	COLOUR	DESCRIPTION	QTY. PER ASSY.	ASSEMBLY PART No.

CUSTOMER DWG FOR REFERENCE ONLY				RELEASED FOR PUBLICATION 23-6-87			
TOLERANCES UNLESS OTHERWISE STATED : DEC ± 0.5 ANGLES ± 1°				DR. <i>Mick Wade</i> CH. R. J. S.		23-6-87 APP. R. J. S.	
NAME 36 WAY RECEPTACLE HOUSING ASSY. FOR ECONOSEAL 3 (WIRE TO BOARD)				TE Connectivity			
SCALE	LOC	SIZE	DWG. No.	REV	SHEET		
2/1	E	A2	C344111	J1	1/1		