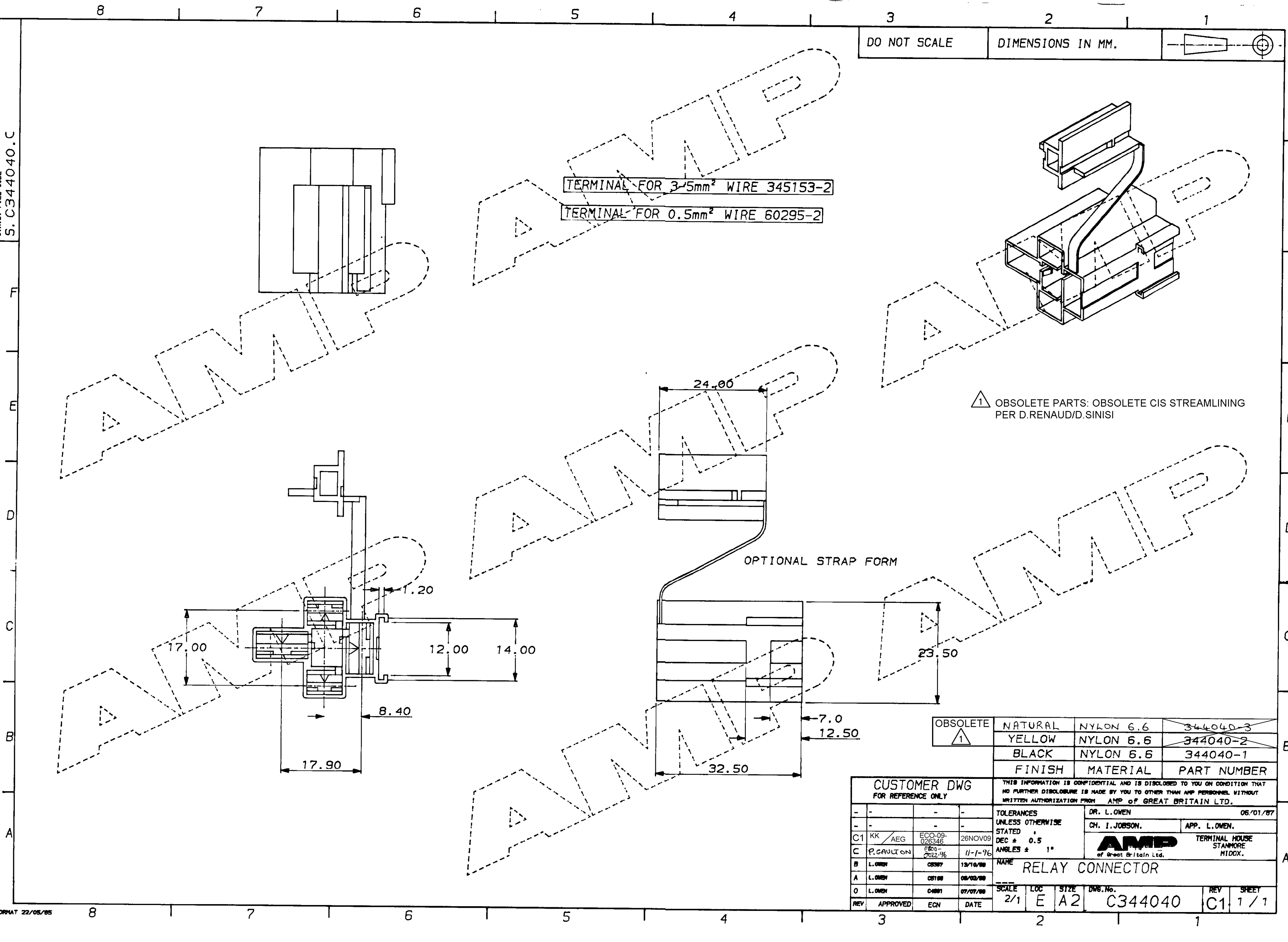
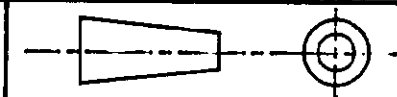


C.A.D. FILE CODE
S. C344040.C

DO NOT SCALE

DIMENSIONS IN MM.



△ OBSOLETE PARTS: OBSOLETE CIS STREAMLINING PER D.RENAUD/D.SINISI

OBSOLETE △	NATURAL	NYLON 6.6	344040-3
	YELLOW	NYLON 6.6	344040-2
	BLACK	NYLON 6.6	344040-1
	FINISH	MATERIAL	PART NUMBER

CUSTOMER DWG FOR REFERENCE ONLY				THIS INFORMATION IS CONFIDENTIAL AND IS DISCLOSED TO YOU ON CONDITION THAT NO FURTHER DISCLOSURE IS MADE BY YOU TO OTHER THAN AMP PERSONNEL WITHOUT WRITTEN AUTHORIZATION FROM AMP OF GREAT BRITAIN LTD.			
-	-	-	-	TOLERANCES UNLESS OTHERWISE STATED	DR. L. OWEN		06/01/87
C1	KK	AEG	ECO-09-026346	26NOV09	CH. I. JOHNSON.		APP. L. OWEN.
C	P. GAULTON	E800-0022-96	11-1-96	DEC ± 0.5			TERMINAL HOUSE STANNORE MIDDX.
B	L. OWEN	CS387	13/10/88	ANGLES ± 1°	NAME RELAY CONNECTOR		
A	L. OWEN	CS188	08/02/88		SCALE	LOC	SIZE
O	L. OWEN	C4801	07/07/88		2/1	E	A2
REV	APPROVED	ECN	DATE		DWG.No.	C344040	REV SHEET
							C1 1/1