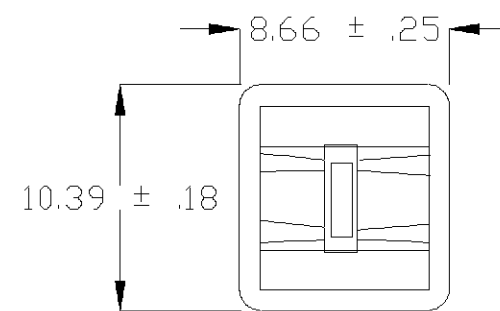
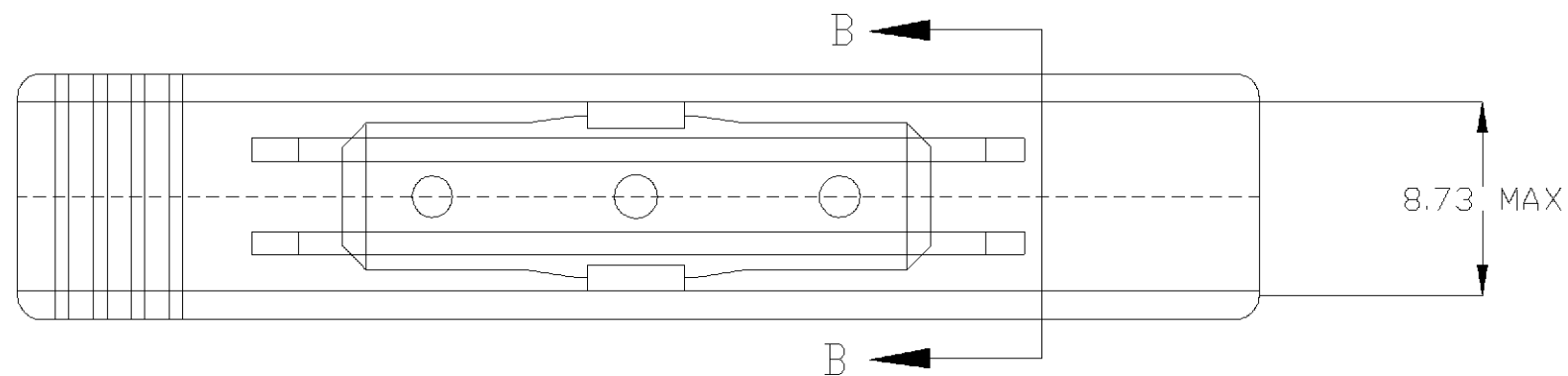
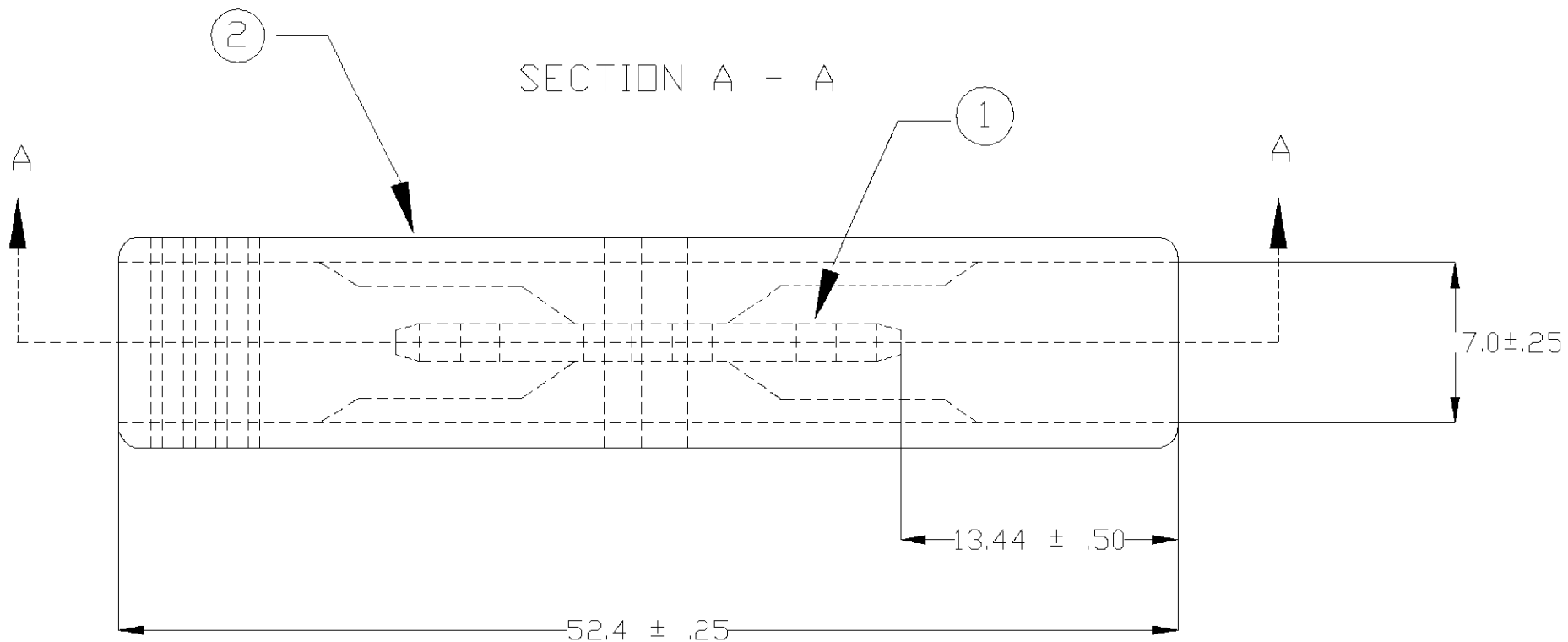


LOC	DIST	REVISIONS					
		P	LTR	DESCRIPTION	DATE FECHA	DWN DIBUJO	APVD APROBO
			F	EC LMOO 0221 01	26 SEP 01	E. L	ALH
			G	EC LMOO 0233 01	09 OCT 01	E. L	ALH
			G1	REVISED PER ECO-09-022178	21SEP09	KK	AEG



SECTION A - A

SECTION B - B



1	OBSOLETE	155910-2	155514-1	2	NATURAL	NYLON 6/6	155914-2
				1	-----	BRASS	
		155910-1	155514-1	2	NATURAL	POLYPROPYLENE	155914-1
				1	-----	BRASS	
		HOUSING P/N	TERMINAL P/N	ITEM	FINISH	MATERIAL	ASSY PART NUMBER

1 OBSOLETE PARTS: OBSOLETE CIS STREAMLINING
PER D.RENAUD/D.SINISI

<small>THIS DRAWING IS A CONTROLLED DOCUMENT FOR AMP INCORPORATED. IT IS SUBJECT TO CHANGE AND THE CONTROLLING ENGINEERING ORGANIZATION SHOULD BE CONTACTED FOR THE LATEST REVISION. ESTE PLANO ES UN DOCUMENTO CONTROLADO POR AMP INCORPORATED. ESTA SUJETO A CAMBIOS Y HAY QUE CONTACTAR AL DEPT. DE INGENIERIA POR LA ULTIMA REVISION.</small>		DWN/DIBUJO	E. LUNA		Tyco Electronics México, SA Tlalnepantla, México	
DIMENSIONS: MEDIDAS, mm		CHK/CONTROLADO	A. LOPEZ		NAME NOMBRE	SINGLE FASTON CONN ASSY FASTON .250 SERIES
<small>TOLERANCES UNLESS OTHERWISE SPECIFIED: TOLERANCIAS SALVO OTRA INDICACION.</small> 0 PLC/LUG ± 1 PLC/LUG ± .254 2 PLC/LUG ± .127 3 PLC/LUG ± 4 PLC/LUG ± ANGLES/ANGULOS ± 1°		APVD/APROBADO	A. LOPEZ	SIZE TAMAÑO	CAGE CODE CODIGO DE CELDA	DRAWING NO PLANO NO
		PRODUCT SPEC ESPEC. DE PRODUCTO		A3	00779	155914
MATERIAL		APPLICATION SPEC ESPEC. DE APLICACION		WEIGHT PESO		
FINISH ACABADO		VW P/N 111 937 077 F		SCALE ESCALA	SHEET HOJA 1 OF DE 1	REV G1