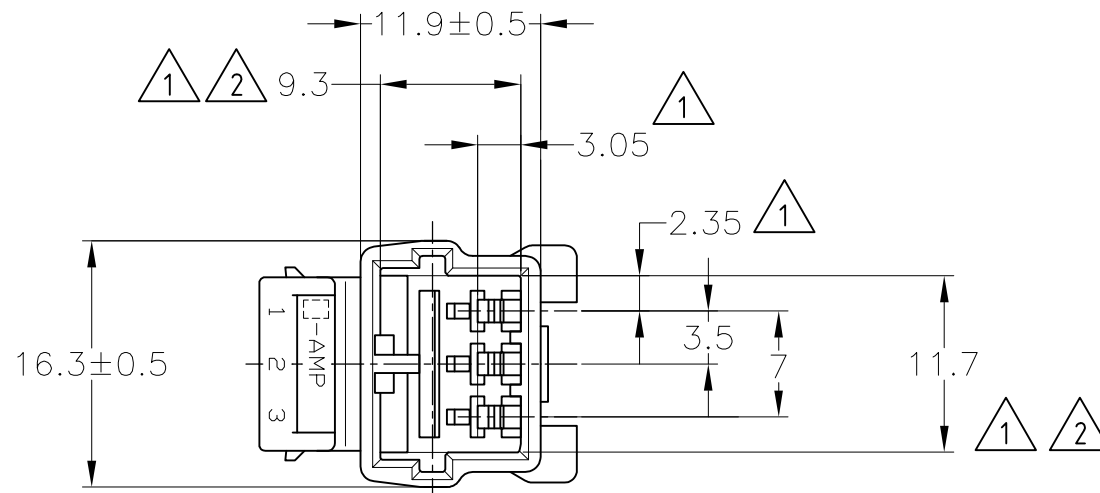
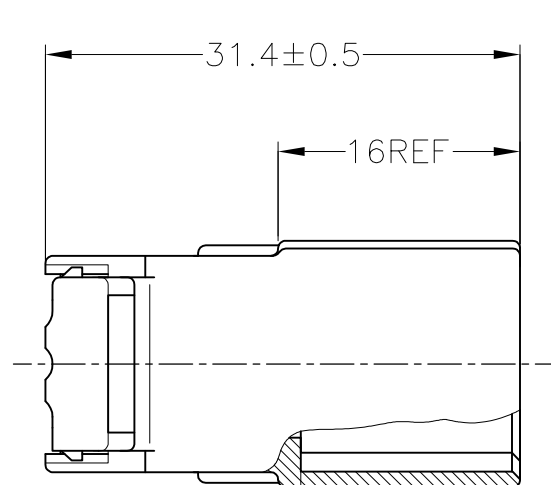


THIS DRAWING IS UNPUBLISHED. RELEASED FOR PUBLICATION

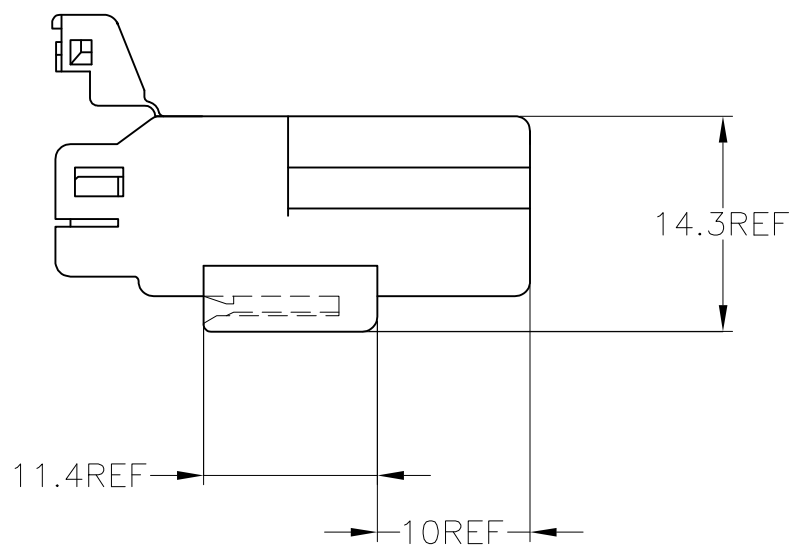
© COPYRIGHT - By - ALL RIGHTS RESERVED.

LOC	DIST	REVISIONS					
J	-	P	LTR	DESCRIPTION	DATE	DWN	APVD
			C2	REVISED PER ECO-11-005140	28MAR11	RK	HMR



1. MUST BE KEPT BETWEEN **-A-** AND 2
2. TO BE MATED WITH PLUG HOUSING SMOOTHLY
3. APPLIED TAB CONTACT; P/N 173633 AND 173645
4. APPLIED PLUG HOUSING; P/N 174921 etc

1. **-A-** 面より 2mm の範囲で測定
2. 相手ハウジングと所定の昨日を満足して嵌合できること
3. 内装するリセプタクルコンタクトは型番 173633、173645
4. 嵌合相手ハウジング型番 174921 他



V-2	白 (WHITE)	1-174928-1
HB	黄 (YELLOW)	174928-7
	灰 (GRAY)	174928-6
	青 (BLUE)	174928-5
	緑 (GREEN)	174928-4
	黒 (BLACK)	174928-2
	白 (WHITE)	174928-1
使用材料難燃グレード (FLAMMABILITY OF MATERIAL)	色 (COLOR)	型番 (PART NUMBER)

THIS DRAWING IS A CONTROLLED DOCUMENT.

DWN	S.FUJITA	05DEC08	 TE Connectivity	NAME 070 SERIES MULTILOCK I/O CONNECTOR 3POSITION HOUSING WIRE TO WIRE		
CHK	K.BETSUI	05DEC08				
APVD	K.BETSUI	05DEC08				
PRODUCT SPEC	-	-				
APPLICATION SPEC	-	-	SIZE	CAGE CODE	DRAWING NO	RESTRICTED TO
WEIGHT	-	-	A3	00779	C-174928	-
CUSTOMER DRAWING			SCALE	SHEET	REV	
			2:1	1 OF 1	C2	

TOLERANCES UNLESS OTHERWISE SPECIFIED:

一般公差

10 ≥	±0.2
30 ≥ > 10	±0.25
> 30	±0.3
ANGLE	±3°

DIMENSIONS:	TOLERANCES UNLESS OTHERWISE SPECIFIED:
mm	
	0 PLC ±-
	1 PLC ±-
	2 PLC ±-
	3 PLC ±-
	4 PLC ±-
	ANGLES ±-
MATERIAL	FINISH
PBT	-