

# YESC Kaizen Connector Male Housing



(Unit:mm)

## Configuration diagram

### Male Connector

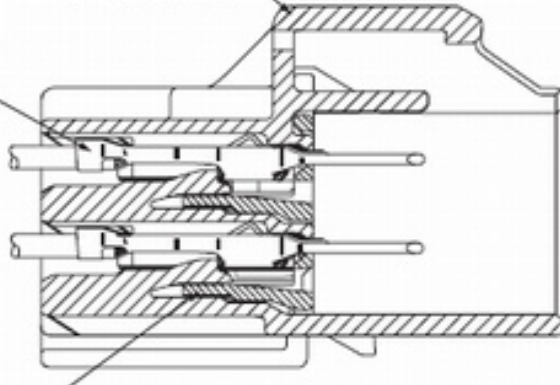
オス コネクタ

### Male Terminal

オス ターミナル

### Male Housing

オス ハウジング



### Male Pre-set Secondary Terminal Lock(TPA)

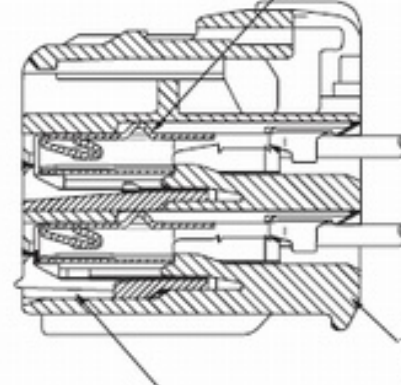
オス側 事前組付け二重係止板

### Female Connector

メス コネクタ

### Female Terminal

メス ターミナル



Female Housing  
メス ハウジング

### Female Pre-set Secondary Terminal Lock(TPA)

メス側 事前組付け二重係止板

# Specifications

Classified Parts		Housing
Family	* 2	YES/YESC Kaizen Connectors
Type		1.5X0.8
Yazaki Part Number		7282-6443-40
Connection Type		Wire to Wire
Unsealed/Seald		Unsealed
Male/Female		Male
Number of Poles		2
Tab Width mm(inches)		1.5(060)
Material		PBT
Plating		-
Color		Light Gray
Rating		-
Mating Part Numbers		7283-6443-40
Product Specification No.		YPES-11-05-170
Instruction Manual No.		YPES-15-599

Product Specification		
Allowable Current(Ref.)		15A(Ref)
Low Level Contact Resistance		10milli ohm Max.(Initial)
Insulation Resistance		20Megohm Min.(at 500VDC)
Withstanding Voltage		1000V AC (1min.)
Temperature Range	* 9	-40 to 100deg.C

Application List of Installable Components		
Terminals	Wire Seals	Holders
7114-4100-02	-	
7114-4100-08	-	
7114-4101-02	-	
7114-4101-08	-	