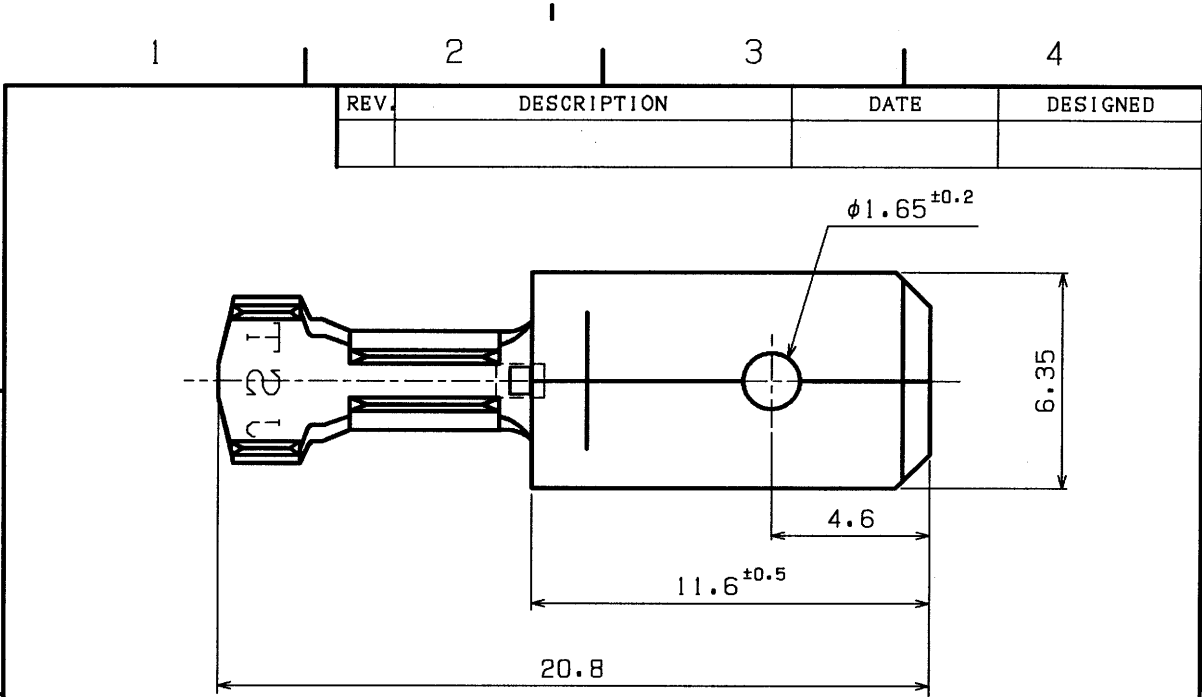
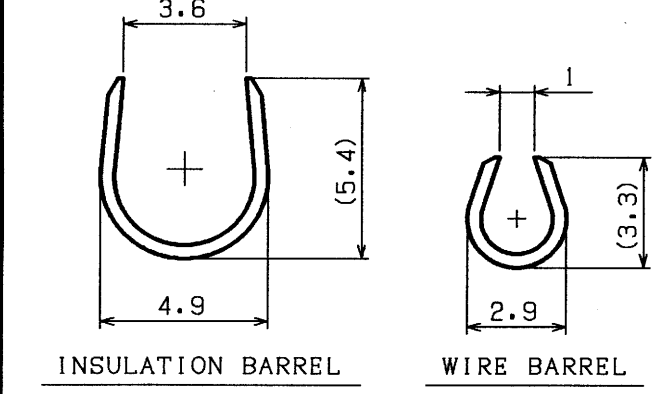
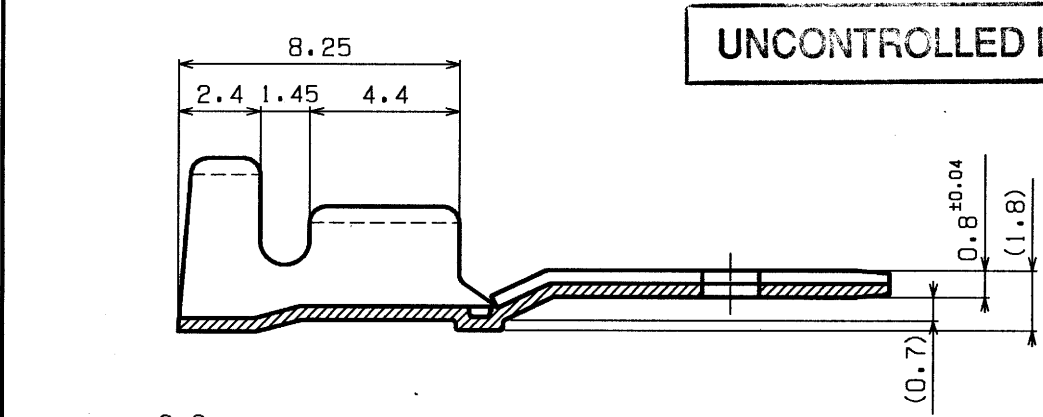


THIS DRAWING/DRAWING IS THE  
 PROPERTY OF J.S.T. (U.K.) LTD. IT  
 MUST NOT BE COPIED OR USED FOR  
 MANUFACTURE WITHOUT WRITTEN  
 PERMISSION FROM J.S.T. (U.K.) LTD.



UNCONTROLLED ISSUE



**NOTE**  
 1. Unless otherwise specified,  
 tolerances are  $\pm 0.3$

**J.S.T. Mfg. Co., Ltd.**  
**16 NOV 2001**  
 Engineering  
 Centre in  
 Europe

TERMINAL		BRASS		TIN-PLATED		t0.4	
No.	PART NAME	MATERIAL		SURFACE FINISH		REMARKS	
SIZE	UNIT	SCALE	PROJECTION	DATE	CUSTOMER		
A4	METRIC	5:1		NOV. 12. 2001	TAB-ON TAB TYPE TERMINAL		
APPROVED	CHECKED	DESIGNED	DRAWN	PART No.			
S. KOYAMA	E. NAKAYAMA	M. ISHIGAMI		LOM-51 (T) -250			
<b>JST</b> J.S.T. MFG. CO., LTD.				DRAWING No.		RD	
				KRD-2502-2			