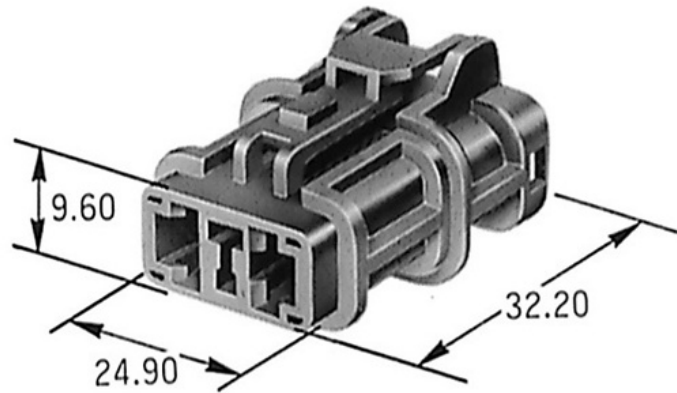


58 Connectors X Type Housing 2P Female

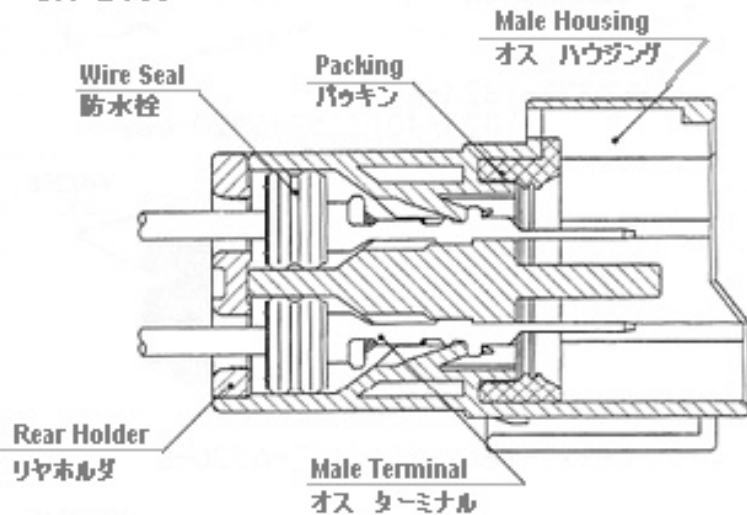


7123-6423-30

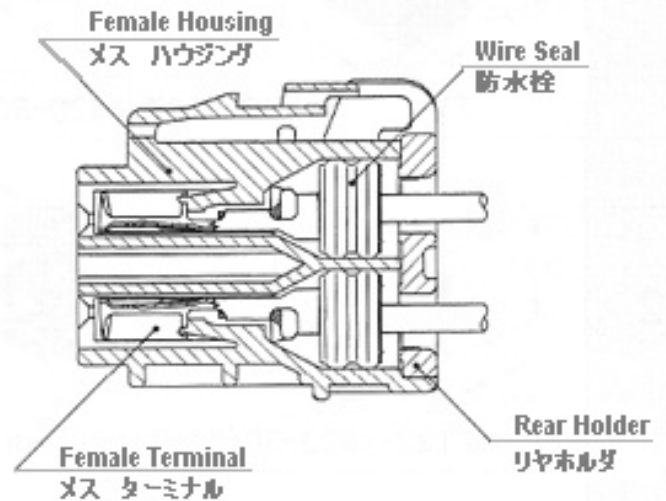
(Unit:mm)

Configuration diagram

Male Connector
オス コネクタ



Female Connector
メス コネクタ



Specifications

Classified Parts		Housing
Family	* 2	58 Connectors
Type		X Type
Yazaki Part Number		7123-6423-30
Connection Type		Wire to Wire Wire to Board Wire to Device
Unsealed/Seald		Sealed
Male/Female		Female
Number of Poles		2
Tab Width mm(inches)		6.3(250)
Material		PBT
Plating		-
Color		Black
Rating		-
Mating Part Numbers		7222-6423-30
Product Specification No.		YPES-11-04-005
Instruction Manual No.		YPES-15-026

Product Specification		
Allowable Current(Ref.)		20A(Ref)
Low Level Contact Resistance		3milli ohm Max.(Initial)
Insulation Resistance		250Megohm Min.(at 500VDC)
Withstanding Voltage		1000V AC (1min.)
Temperature Range	* 9	-40 to 100deg.C

Application List of Installable Components		
Terminals	Wire Seals	Holders
7116-2873	7157-3570	7157-6720
7116-2874	7157-3571-80	
7116-2878_*3	7157-3574-70_*5	
7116-2879_*3	7157-3578-50	
-	7157-3578-50_*5	
-	7157-3579-20_*5	