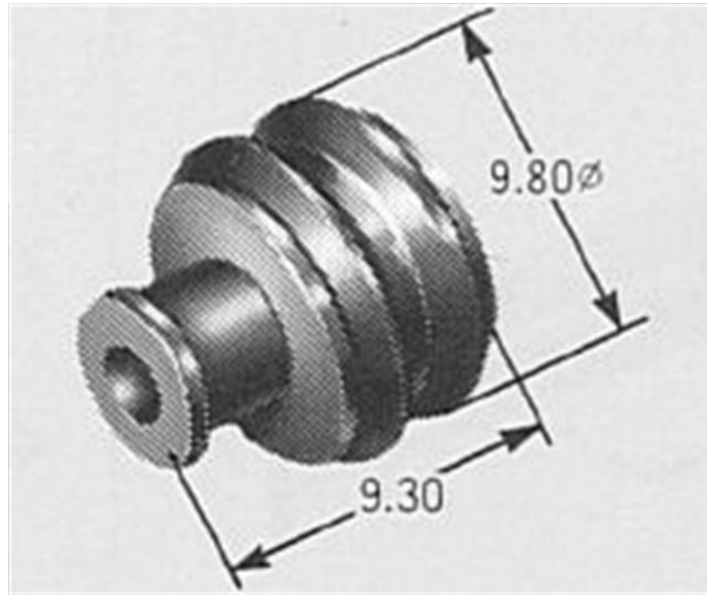


# 58 Connectors X Type Wire Seal



(Unit:mm)

# Specifications

Classified Parts		Wire Seal
Family	* 2	<a href="#">58 Connectors</a>
Type		X Type
Yazaki Part Number		7157-3570
Connection Type		Wire to Wire
Unsealed/Seald		Sealed
Male/Female		N/A
Number of Poles		-
Tab Width mm(inches)		N/A
Material		silicon
Plating		-
Color		Black
Rating		-
Mating Part Numbers		-
Product Specification No.		YPES-11-04-005
Instruction Manual No.		YPES-15-026

Product Specification	
Allowable Current(Ref.)	Refer to the table of Housing
Low Level Contact Resistance	Refer to the table of Housing
Insulation Resistance	Refer to the table of Housing
Withstanding Voltage	Refer to the table of Housing
Temperature Range	Refer to the table of Housing

Application List of Installable Components		
Wire Type	Wire Size(mm <sup>2</sup> )	Terminals
AVS	0.5 to 1.25	<a href="#">7114-2873</a>
AVS	0.5 to 1.25	<a href="#">7116-2873</a>
AVS	0.5 to 1.25	<a href="#">7116-2878_*3</a>