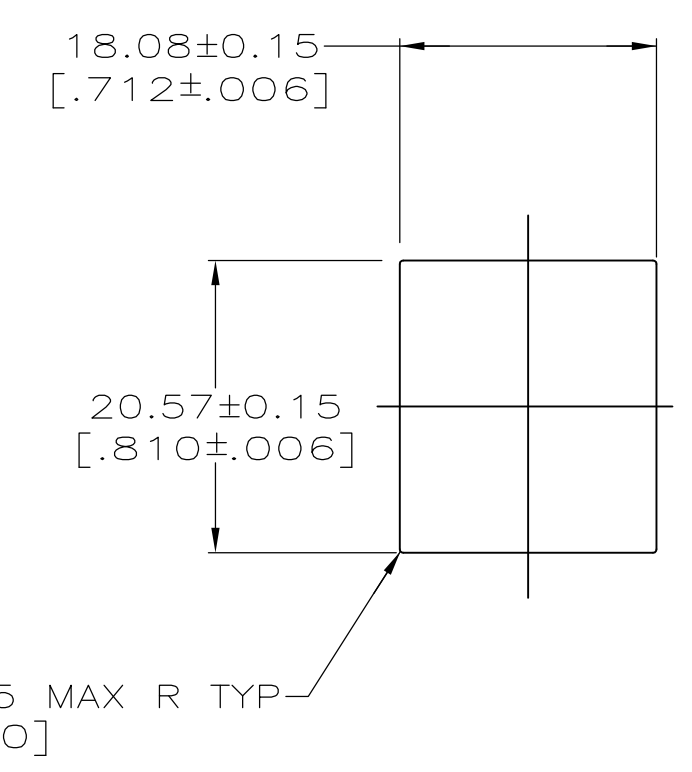
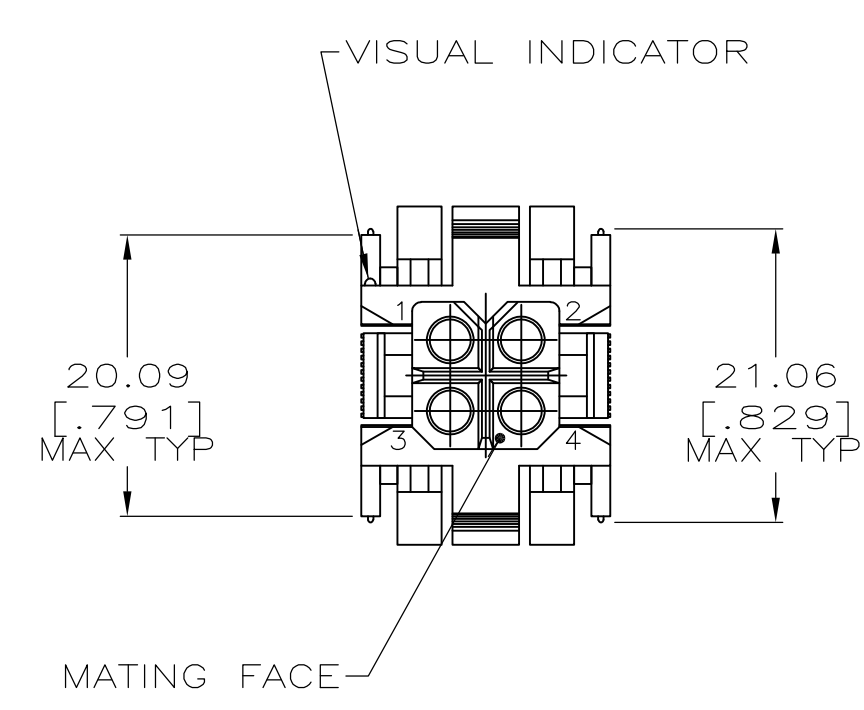
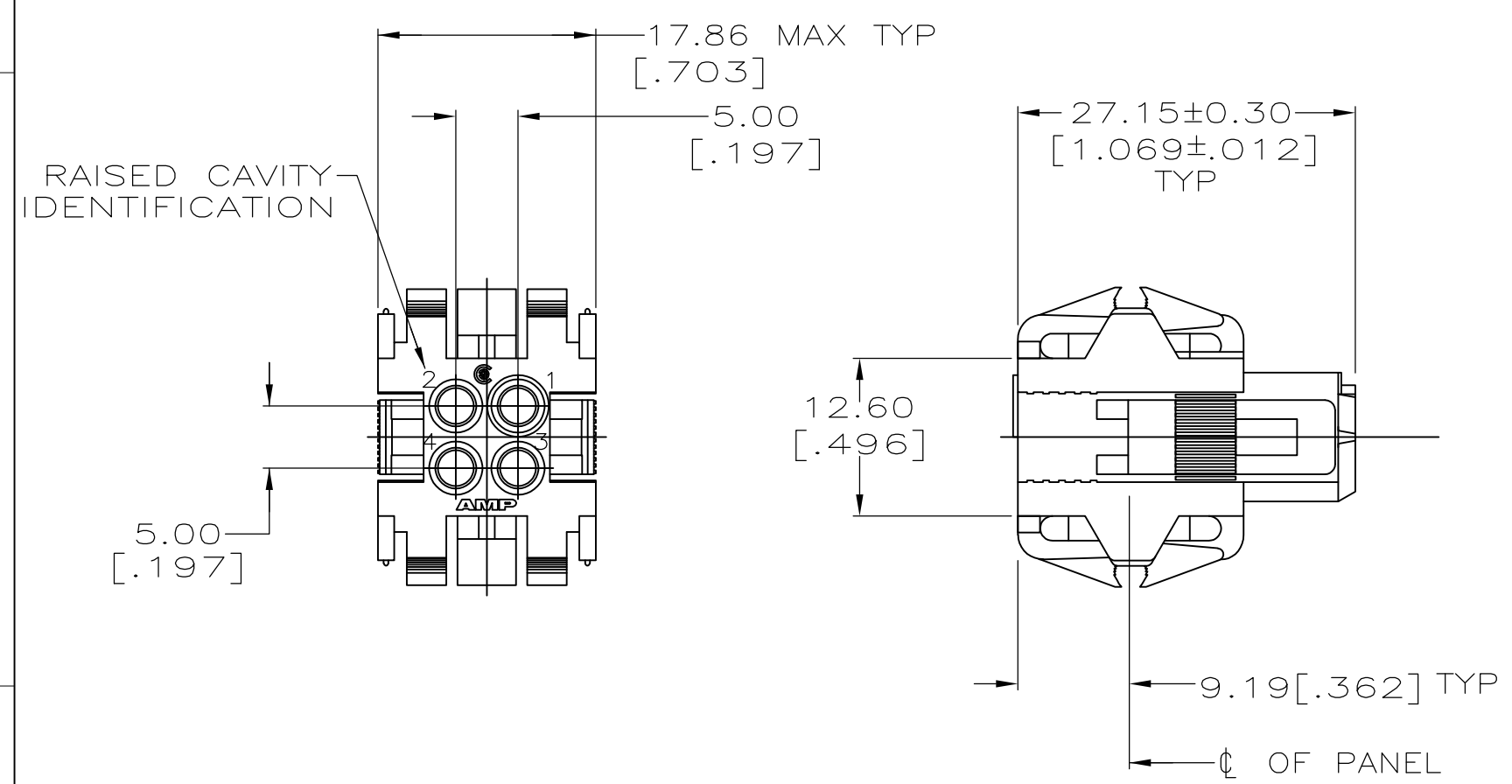


| LOC | DIST | REVISIONS | | | |
|-----|------|------------------------------|---------|-----|------|
| P | LTR | DESCRIPTION | DATE | DWN | APVD |
| FT | 13 | V1 REVISED PER ECO-11-004917 | 11MAR11 | RK | HMR |



PANEL CUTOUT

- 1. PANEL RETENTION MECHANISM ACCOMMODATES PANEL THICKNESSES FROM 0.76[.030] TO 2.29[.090].
- 2. SAME AS 207015-1 EXCEPT: ROUNDED EDGES ON THE OUTSIDE OF THE HOUSING AND A 45° ANGLE ON THE OUTSIDE OF THE HOUSING BY THE LOCKING LATCHES, REF 928095.

THIS DRAWING IS A CONTROLLED DOCUMENT FOR AMP INCORPORATED. IT IS SUBJECT TO CHANGE AND THE CONTROLLING ENGINEERING ORGANIZATION SHOULD BE CONTACTED FOR THE LATEST REVISION.

| | | | | |
|---|--|-----------------------------|---|------------------------------|
| THIS DRAWING IS A CONTROLLED DOCUMENT. | | DWN W.LENKER 08/26/92 | 207015-2 207015-1 PART NO | |
| DIMENSIONS: mm[INCHES] | | CHK R.STONE 8-31-92 | TE Connectivity | |
| TOLERANCES UNLESS OTHERWISE SPECIFIED: | | APVD A.TRAVIS 9-2-92 | NAME HOUSING, PLUG, 4 POSITION, METRIMATE | |
| 0 PLC ± - 1 PLC ± - 2 PLC ± 0.25 [.010] 3 PLC ± - 4 PLC ± - ANGLES ± - | | PRODUCT SPEC 108-10033 | SIZE A2 | |
| MATERIAL NYLON, COLOR: RED | | FINISH - | CAGE CODE 00779 | DRAWING NO C-207015 |
| | | WEIGHT - | RESTRICTED TO | |
| | | CUSTOMER DRAWING | SCALE 2:1 | SHEET 1 of 1 REV V1 |