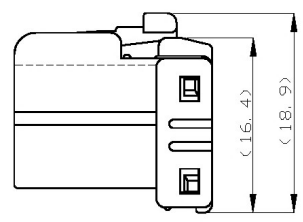
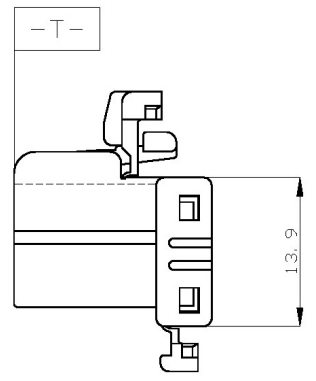
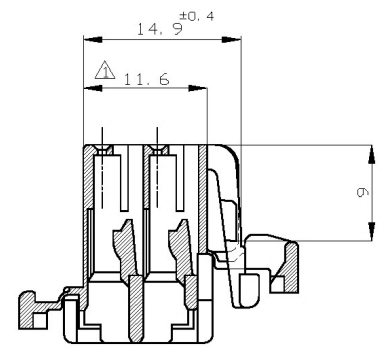
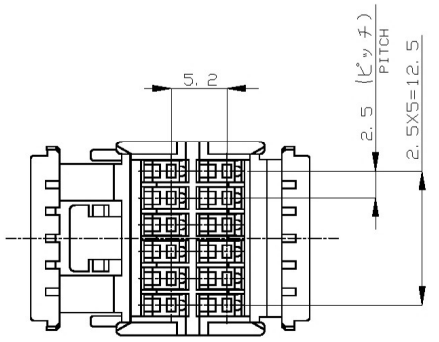
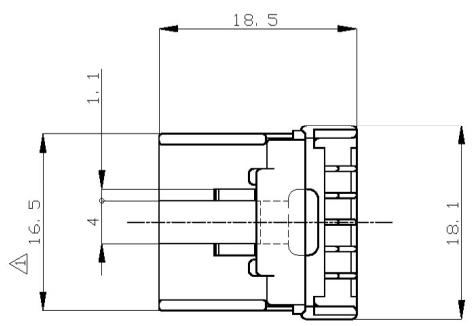
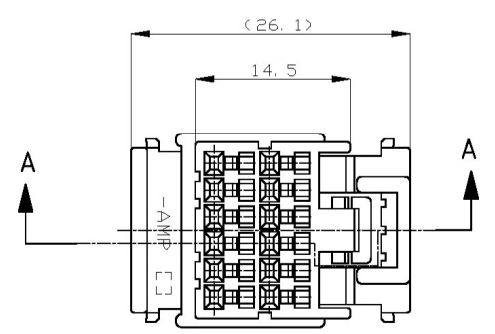


THIS DRAWING IS UNPUBLISHED. RELEASED FOR PUBLICATION
 © COPYRIGHT - By - ALL RIGHTS RESERVED.

LOC	DIST	REVISIONS					
		P	LTR	DESCRIPTION	DATE	DWN	APVD
J	-	C5	REVISED	ECR-14-013120	05SEP2014	TS	RK



二重ロック時
DOUBLE LOCKED

A-A

- △ TO BE MEASURED WITHIN 2mm FROM [-T-]
- 2. THE MATING CAP HOUSING NUMBERS: 174973, 174051, 174058, 174979, 174149 AND 174151
- 3. APPLIED CONTACT PART NUMBER: 173681, 175180

- △ [-T-] 面より2mmの範囲で測定
- 2. 嵌合相手ハウジング型番: 174973, 174051, 174058, 174979, 174149 AND 174151
- 3. 内装するコンタクト型番: 173681, 175180

TOLERANCE UNLESS OTHERWISE SPECIFIED: 一般公差	
0 < x ≤ 10	±0.2
10 < x ≤ 30	±0.25
30 < x ≤ 100	±0.3
ANGLE 角度	±3°

THIS DRAWING IS A CONTROLLED DOCUMENT.

DIMENSIONS: 単位: 耗 mm	TOLERANCES UNLESS OTHERWISE SPECIFIED: 一般公差
MATERIAL 材料: PBT	FINISH 仕上: -

0 PLC ±-	1 PLC ±-	2 PLC ±-	3 PLC ±-	4 PLC ±-	ANGLES ±-
----------	----------	----------	----------	----------	-----------

DWN M.SUGAWARA 03AUG06	CHK K.BETSUI 03AUG06	APVD K.BETSUI 03AUG06
PRODUCT SPEC 製品規格 108-5352,5244		
APPLICATION SPEC 取付適用規格 -		
WEIGHT 2.8 g	SIZE A3	CAGE CODE 00779

FJPI-174045-5 青 (BLUE) 174045-5		FJPI-174045-4 緑 (GREEN) 174045-4		FJPI-174045-2 黒 (BLACK) 174045-2		FJPI-174045-1 黒 (BLACK) 174045-1	
PACKING INSTRUCTION NUMBER (梱包仕様書番号)		色 (COLOR)		製品型番 (PART NUMBER)			
STE TE Connectivity							
12POSITION PLUG HOUSING 040SERIES MULTI-LOCK CONNECTOR							
SIZE	CAGE CODE	DRAWING NO 番号	RESTRICTED TO				
A3	00779	C-174045	-				
CUSTOMER DRAWING				SCALE 尺度 2:1	SHEET 1 of 1	REV C5	