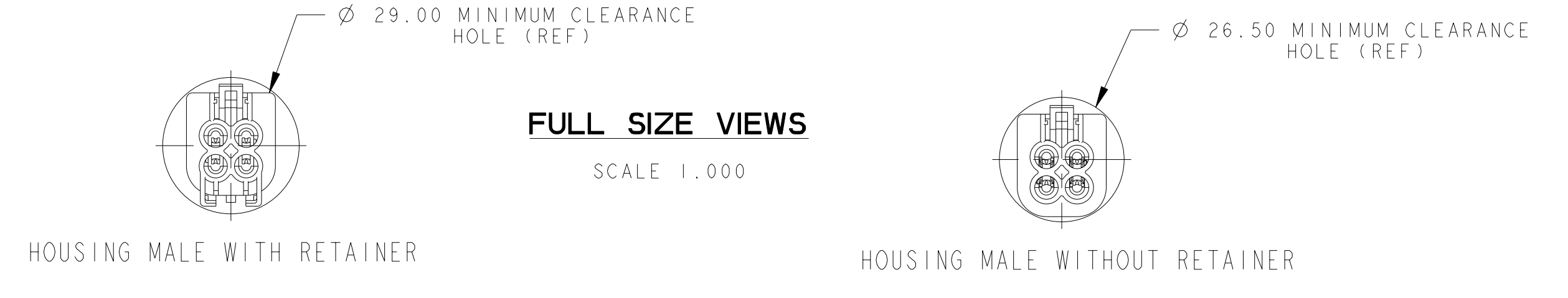
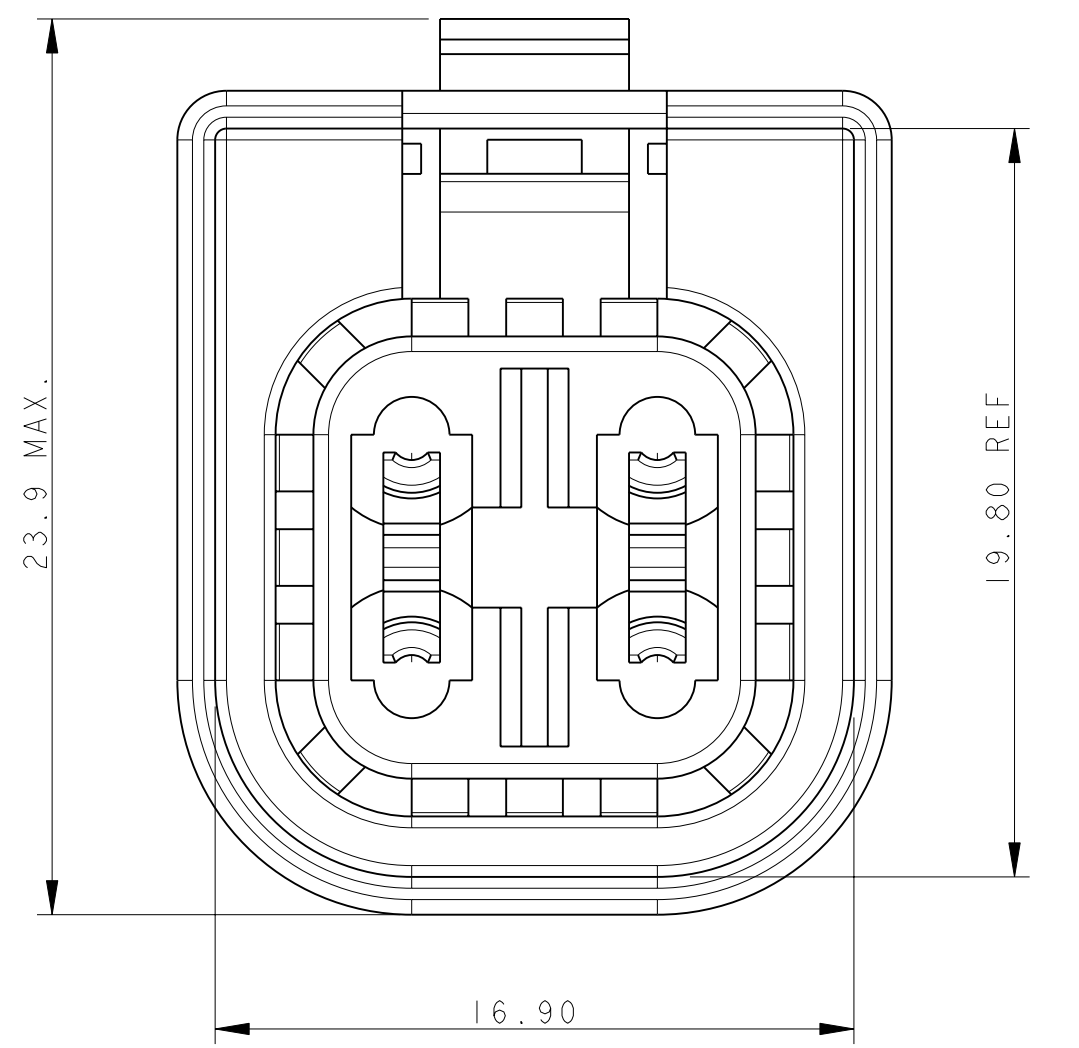
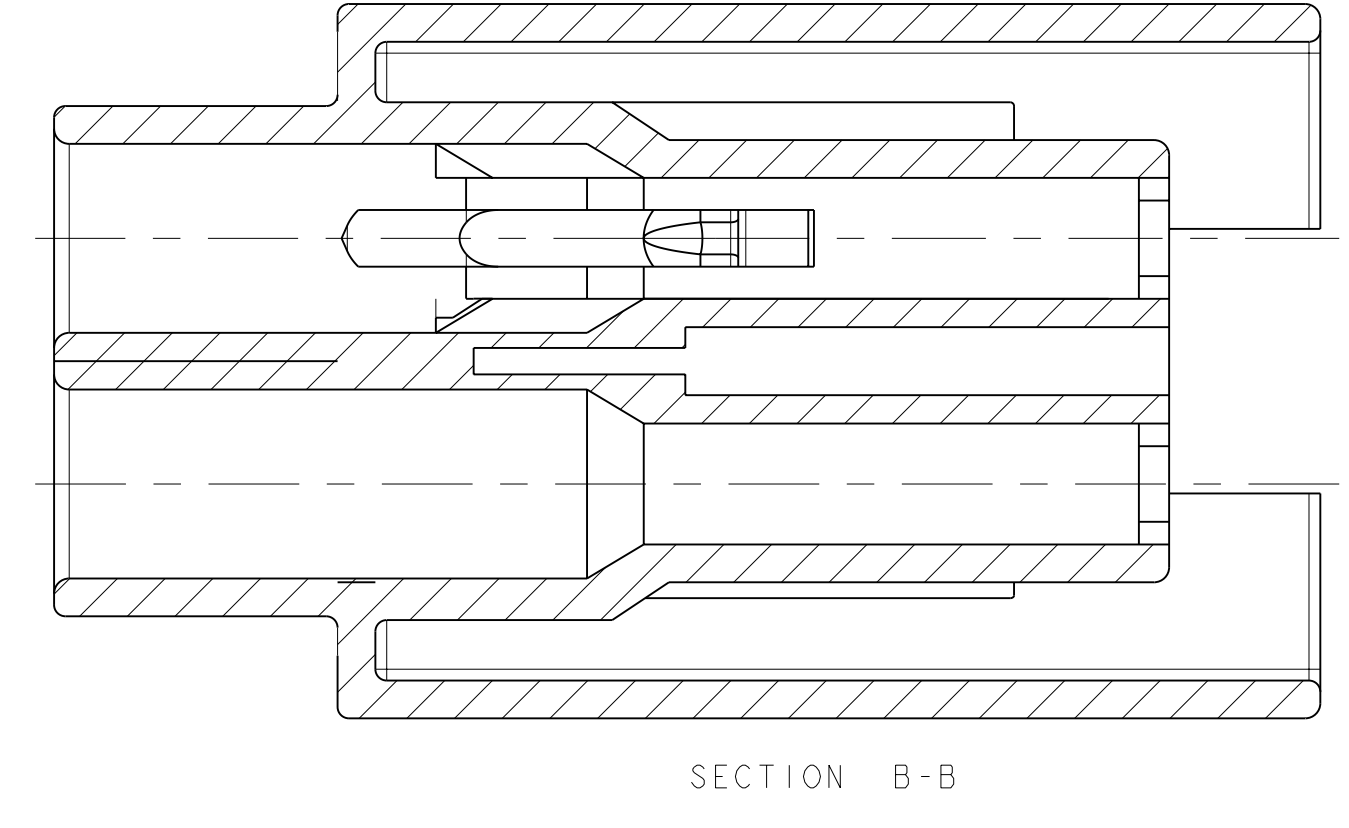
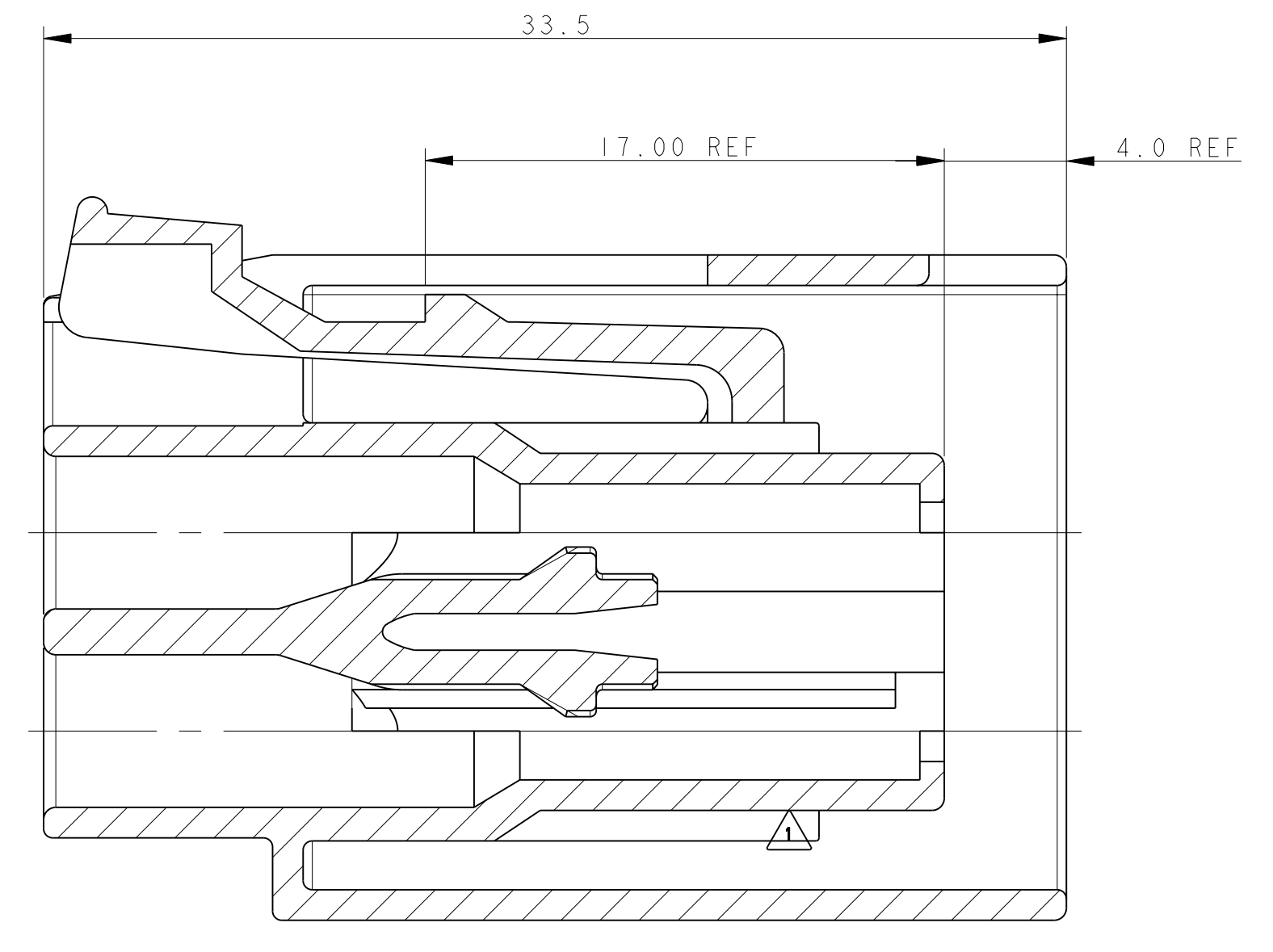
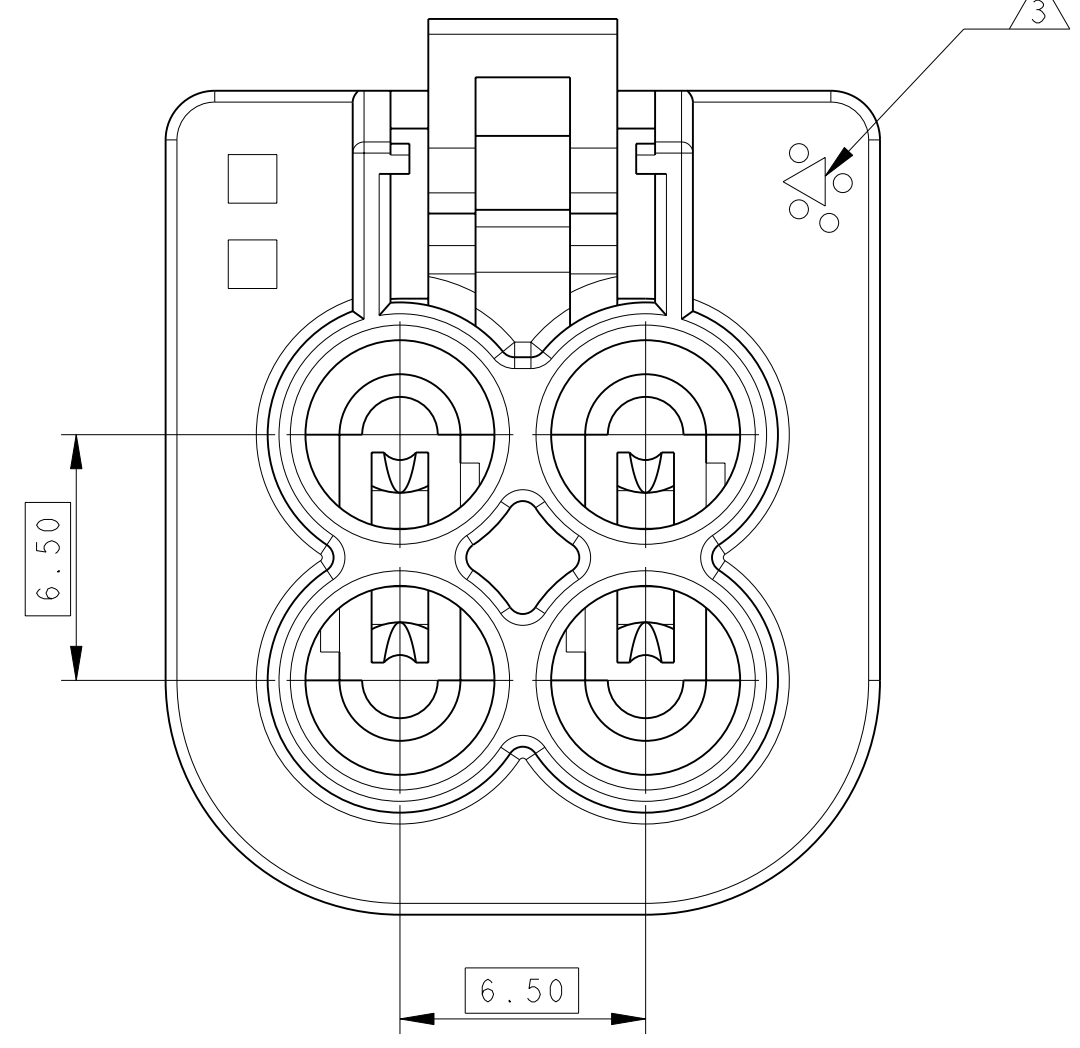
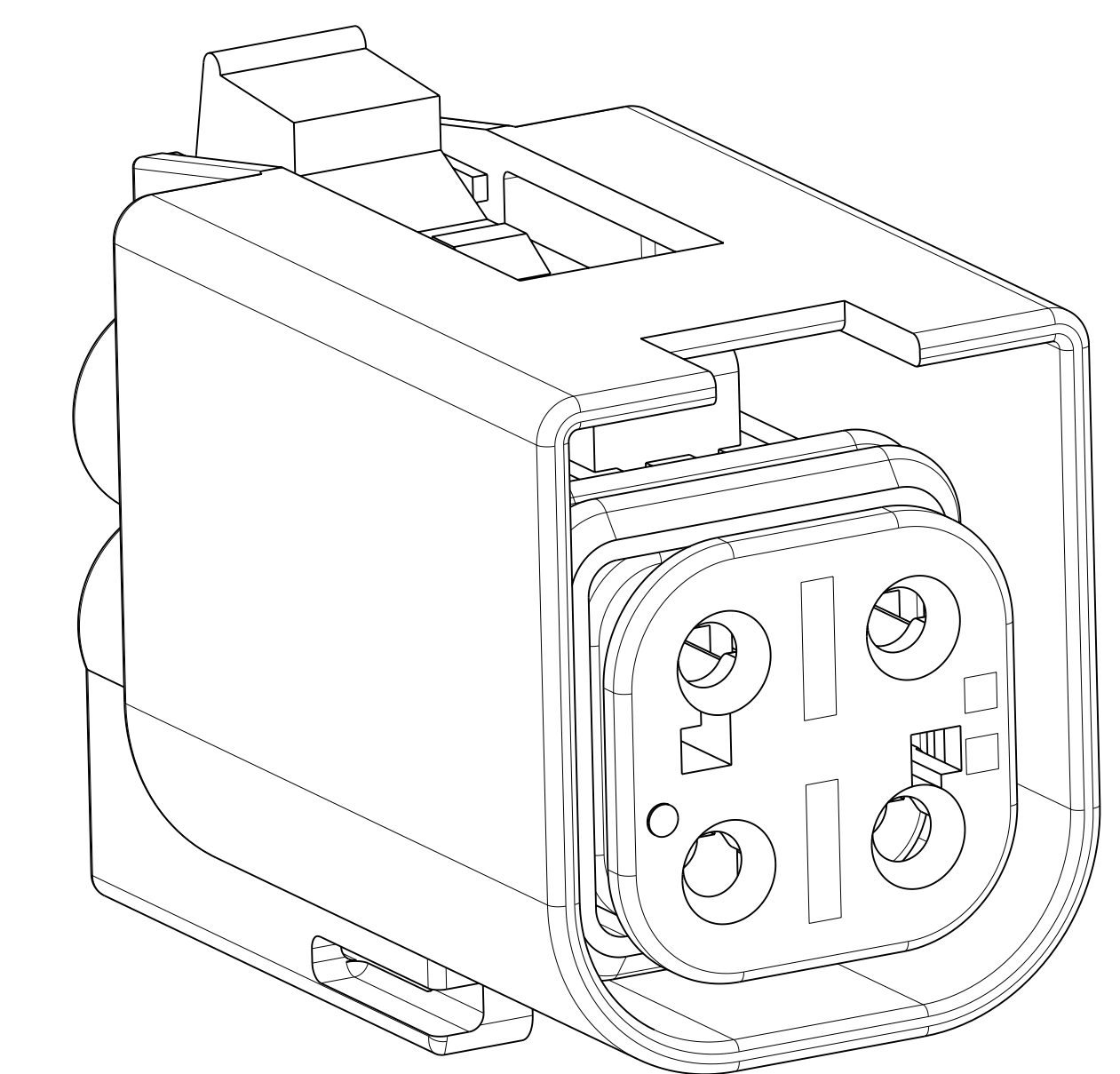
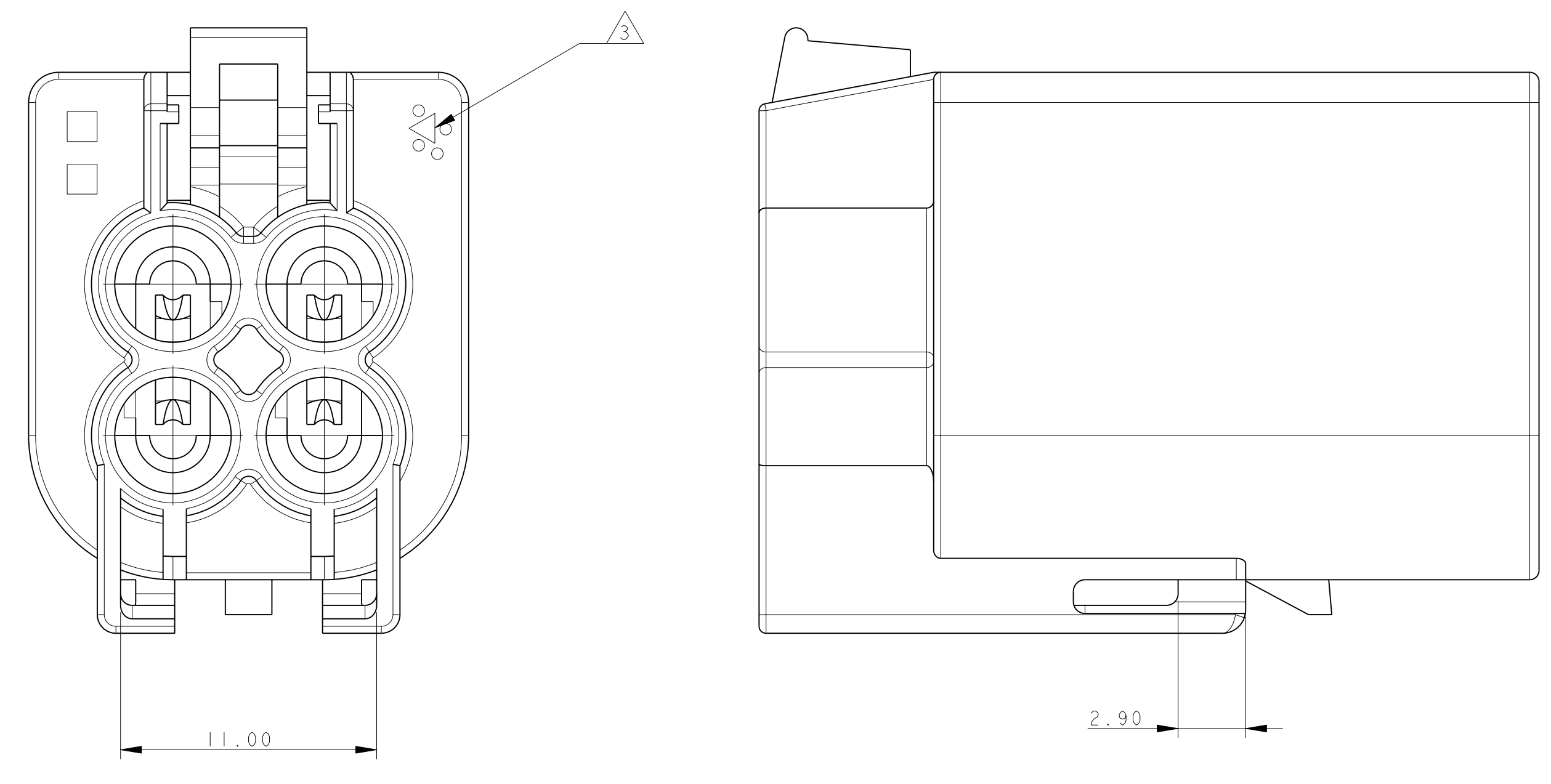


HOUSING

WATERPROOF /
NON WATERPROOF



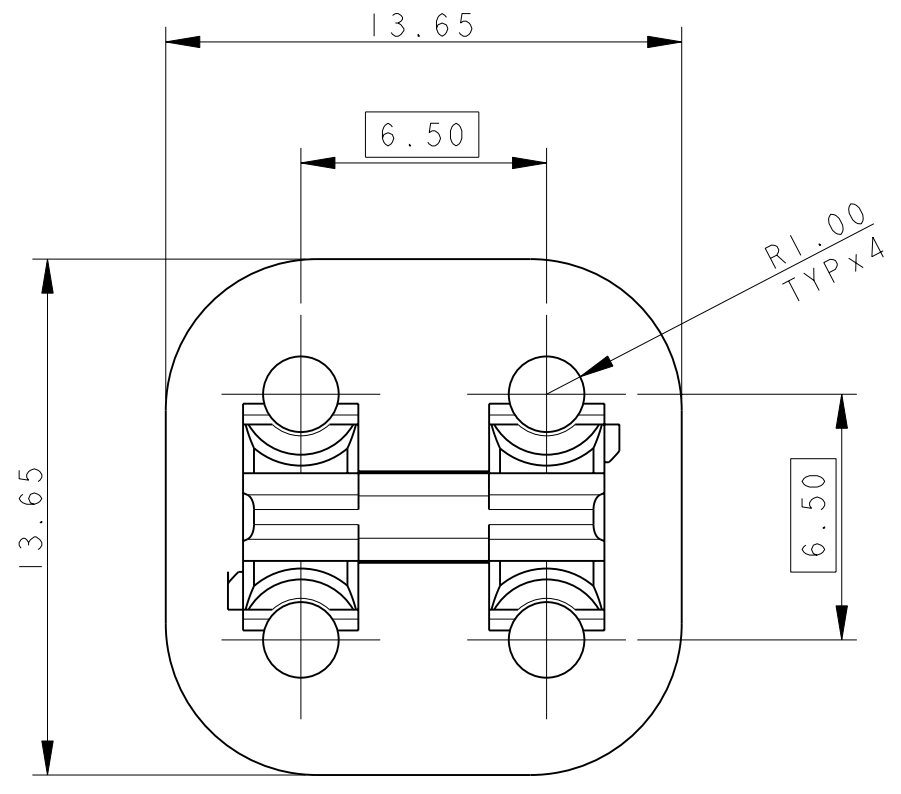
HOUSING WITH RETAINER DETAILS



REV	DATE	DESCRIPTION	BY	CHKD	APPD
A	EG00-2551-01			SS	JE
A1		REDRAWN AND REVISED FOR ECR 06-003008		21FEB004	M.P. R.M.
A2		REDRAWN BY ECR-07-022325		27MAY004	D.S. R.M.
A3		REVISED PER ECR-10-019683		18NOV010	M.G. M.G.

SPACER NOTES

WATERPROOF (BLUE)
NON WATERPROOF (RED)



4 WAY MALE, BLACK
(WATERPROOF VERSION WITHOUT RETAINER)

ASSEMBLY	
T&B UNIVERSAL PART No.	106059
TYCO ELECTRONIC PART No.	1-1437710-5
T&B FORD PART No.	NPIVA-0004XX
FORD PART No.	89FG-14A464-ADB
TYCO ELECTRONIC PART No.	8-1437710-4

⚠ OBSOLETE, SUPERSEDED BY 8-1437710-4

4 WAY MALE, BLACK
(WATERPROOF VERSION WITH RETAINER)

ASSEMBLY	
T&B UNIVERSAL PART No.	106061
TYCO ELECTRONIC PART No.	1-1437710-6
T&B FORD PART No.	NPIVA-00R4XX
FORD PART No.	89FG-14A464-BDC
TYCO ELECTRONIC PART No.	8-1437710-5

⚠ OBSOLETE, SUPERSEDED BY 8-1437710-5

4 WAY MALE, BLACK
(NON-WATERPROOF VERSION WITHOUT RETAINER)

ASSEMBLY	
T&B UNIVERSAL PART No.	106060
TYCO ELECTRONIC PART No.	
T&B FORD PART No.	NPIVA-0A04XX
FORD PART No.	89FG-14489-ADB
TYCO ELECTRONIC PART No.	8-1437710-6

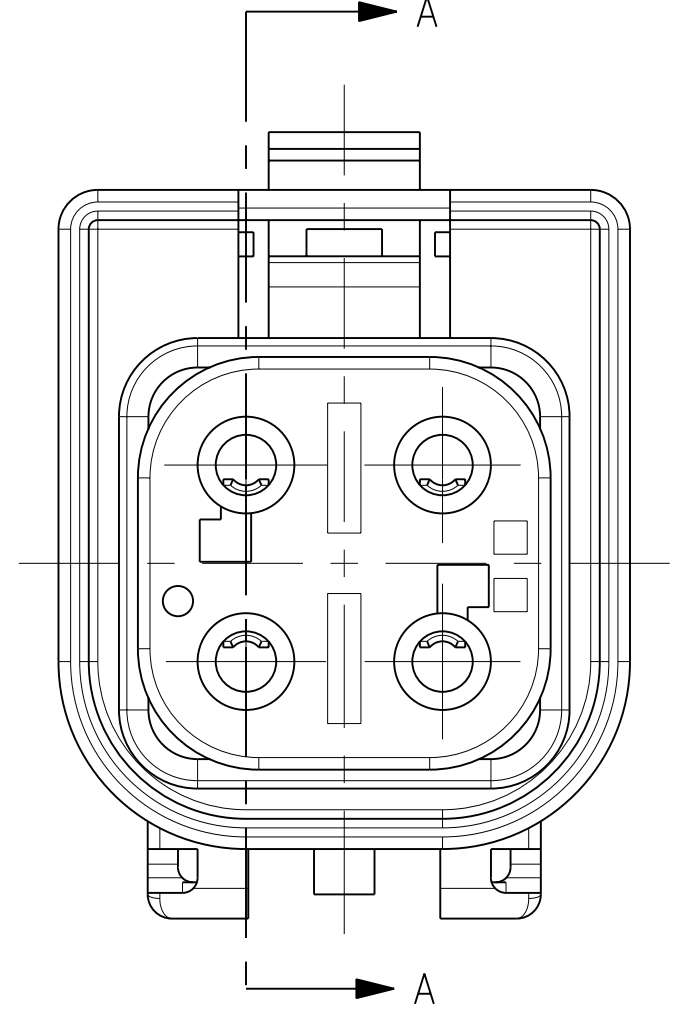
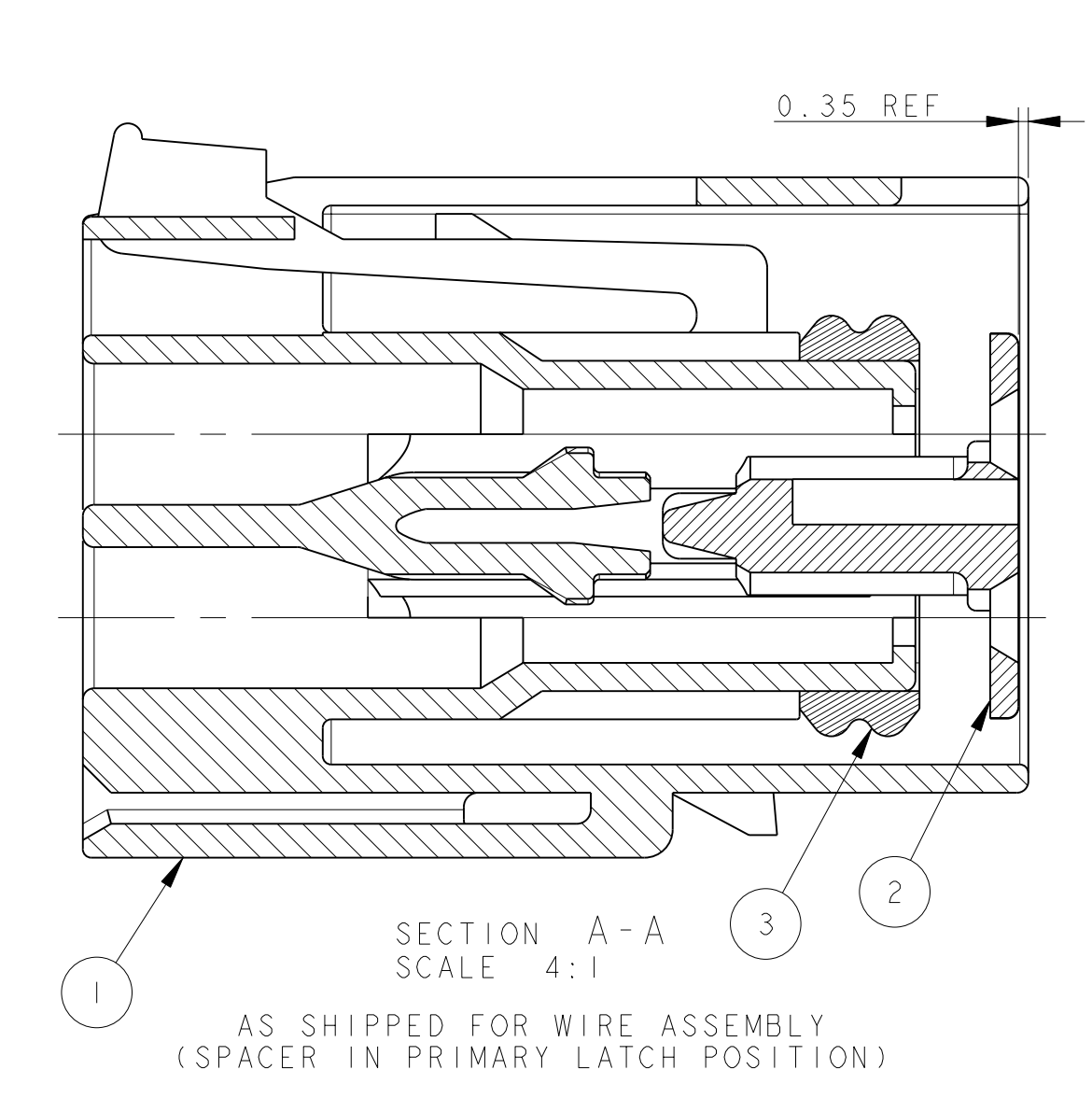
4 WAY MALE, BLACK
(NON-WATERPROOF VERSION WITH RETAINER)

ASSEMBLY	
T&B UNIVERSAL PART No.	106062
TYCO ELECTRONIC PART No.	
T&B FORD PART No.	NPIVA-0AR4XX
FORD PART No.	89FG-14489-BDC
TYCO ELECTRONIC PART No.	8-1437710-7

4 WAY MALE, NATURAL
(WATERPROOF VERSION WITH RETAINER)

ASSEMBLY	
T&B UNIVERSAL PART No.	8-1437710-9
TYCO ELECTRONIC PART No.	
T&B FORD PART No.	NPIVA-NOR4XX
FORD PART No.	
TYCO ELECTRONIC PART No.	8-1437710-9

					DESCRIPTION	ITEM
					HOUSING BLACK WITH RETAINER	1
					HOUSING BLACK WITHOUT RETAINER	1
					HOUSING NATURAL WITH RETAINER	1
					HOUSING NATURAL WITHOUT RETAINER	1
					HOUSING YELLOW WITHOUT RETAINER	1
					SPACER RED	2
					SPACER LIGHT BLUE	2
					SEAL REDDISH BROWN	3
8-1437710-4	REVA					
8-1437710-5	REVA					
8-1437710-6	REVA					
8-1437710-7	REVA					
8-1437710-9	REVA					



PART AS SUPPLIED				COMPONENTS			COLOURS			MATERIALS		
TYCO ELECTRONICS PART No.	DESCRIPTION	WATERPROOF	WEIGHT	1 HOUSING	2 SPACER	3 SEAL	1 HOUSING	2 SPACER	3 SEAL	1 HOUSING	2 SPACER	3 SEAL
8-1437710-4	4 WAY MALE CONNECTOR	YES	7.7 gr.	1	1	1	BLACK	LIGHT BLUE	REDDISH BROWN	PBTP 33% GF	PBTP 33% GF	SILICONE ELASTOMER
8-1437710-5	4 WAY MALE CONNECTOR WITH RETAINER		8.1 gr.	1	1	1						
8-1437710-6	4 WAY MALE CONNECTOR	NO	7.3 gr.	1	1	1	RED					
8-1437710-7	4 WAY MALE CONNECTOR WITH RETAINER		7.7 gr.	1	1	1						

SUITABLE FOR			
TERMINAL FEMALE	WIRE SEAL	BLIND PLUG	
0-1437709-9 (0.22-0.35mm ²) GOLD PLATED 1-1437709-0 (0.50-1.00mm ²) GOLD PLATED 1-1437709-7 (1.50mm ²) GOLD PLATED 1-1437709-4 (0.22-0.35mm ²) TIN PLATED 1-1437709-5 (0.50-1.00mm ²) TIN PLATED 1-1437709-6 (1.50mm ²) TIN PLATED	1-1437713-1 (0.22-0.35) BLACK 1-1437713-2 (0.50-1.00) RED 1-1437713-3 (1.50) BLUE	1-1437713-4	
0-1437709-9 (0.22-0.35mm ²) GOLD PLATED 1-1437709-0 (0.50-1.00mm ²) GOLD PLATED 1-1437709-7 (1.50mm ²) GOLD PLATED 1-1437709-4 (0.22-0.35mm ²) TIN PLATED 1-1437709-5 (0.50-1.00mm ²) TIN PLATED 1-1437709-6 (1.50mm ²) TIN PLATED			1-1437713-4

MATING PARTS	
TYCO ELECTRONICS PART No.	DESCRIPTION
3-1437712-3	4 WAY FEMALE CONNECTOR WATERPROOF
3-1437712-3	4 WAY FEMALE CONNECTOR NON WATERPROOF

PART AS SUPPLIED				COMPONENTS			COLOURS			MATERIALS		
TYCO ELECTRONICS PART No.	DESCRIPTION	WATERPROOF	WEIGHT	1 HOUSING	2 SPACER	3 SEAL	1 HOUSING	2 SPACER	3 SEAL	1 HOUSING	2 SPACER	3 SEAL
-	4 WAY MALE CONNECTOR	YES	-	1	1	1	NATURAL	LIGHT BLUE	REDDISH BROWN	PBTP 33% GF	PBTP 33% GF	SILICONE ELASTOMER
8-1437710-9	4 WAY MALE CONNECTOR WITH RETAINER		8.1 gr.	1	1	1						
-	4 WAY MALE CONNECTOR	NO	-	1	1	1	RED					
-	4 WAY MALE CONNECTOR WITH RETAINER		-	1	1	1						

SUITABLE FOR			
TERMINAL FEMALE	WIRE SEAL	BLIND PLUG	
0-1437709-9 (0.22-0.35mm ²) GOLD PLATED 1-1437709-0 (0.50-1.00mm ²) GOLD PLATED 1-1437709-7 (1.50mm ²) GOLD PLATED 1-1437709-4 (0.22-0.35mm ²) TIN PLATED 1-1437709-5 (0.50-1.00mm ²) TIN PLATED 1-1437709-6 (1.50mm ²) TIN PLATED	1-1437713-1 (0.22-0.35) BLACK 1-1437713-2 (0.50-1.00) RED 1-1437713-3 (1.50) BLUE	1-1437713-4	
0-1437709-9 (0.22-0.35mm ²) GOLD PLATED 1-1437709-0 (0.50-1.00mm ²) GOLD PLATED 1-1437709-7 (1.50mm ²) GOLD PLATED 1-1437709-4 (0.22-0.35mm ²) TIN PLATED 1-1437709-5 (0.50-1.00mm ²) TIN PLATED 1-1437709-6 (1.50mm ²) TIN PLATED			1-1437713-4

MATING PARTS	
TYCO ELECTRONICS PART No.	DESCRIPTION
3-1437712-4	4 WAY FEMALE CONNECTOR WATERPROOF
3-1437712-4	4 WAY FEMALE CONNECTOR NON WATERPROOF

- NOTES UNLESS OTHERWISE SPECIFIED:
- SEE CHART FOR MATING PART NUMBERS.
 - THE CONNECTOR WITH MOUNTING FEATURE IS DESIGNED TO PASS THROUGH A Ø 29.00mm MIN. HOLE AND WITHOUT RETAINER MOUNTING FEATURE THROUGH A Ø 26.50mm MIN. HOLE.
- ⚠ OPTIONAL SYMBOL

DATE: 21FEB2006	BY: M. PALMA	CHKD: 21FEB2006	APPD: M. PALMA	TYCO ELECTRONICS
DIMENSIONS: DIMENSIONS UNLESS OTHERWISE SPECIFIED				PRODUCT SPEC: 108-20269
MATERIAL: SEE TABLE				APPLICATION SPEC: 411-20111
CUSTOMER DRAWING: A000779				SCALE: 5:1