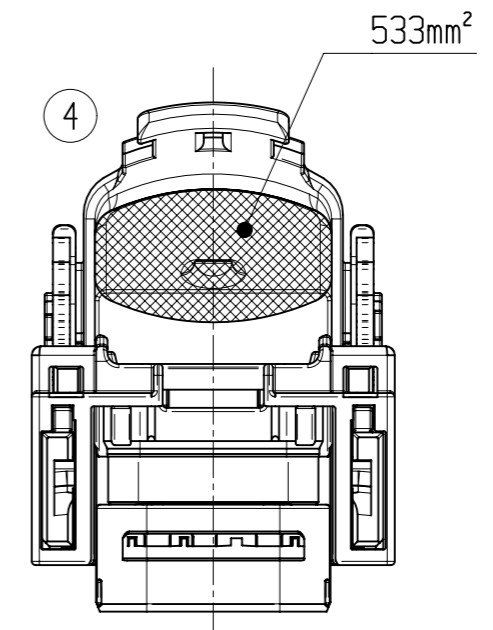
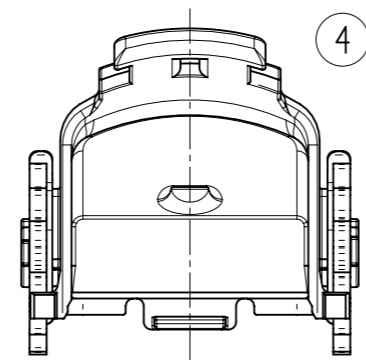
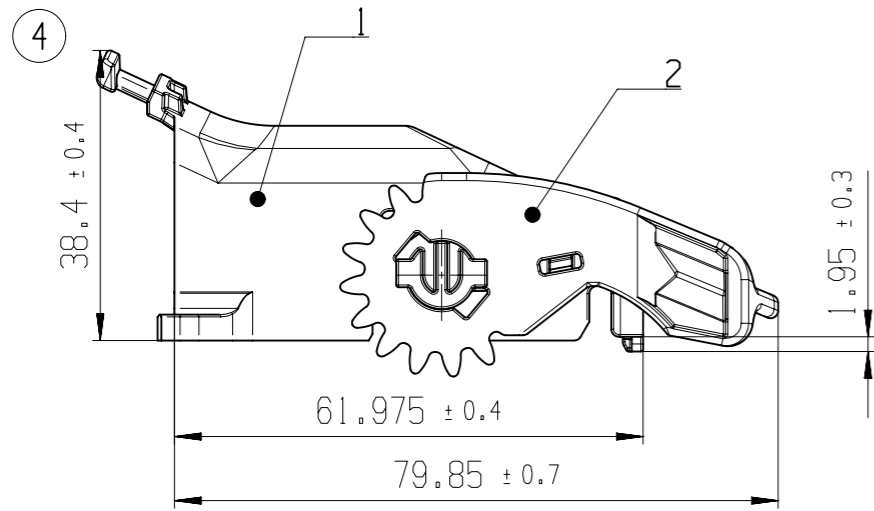
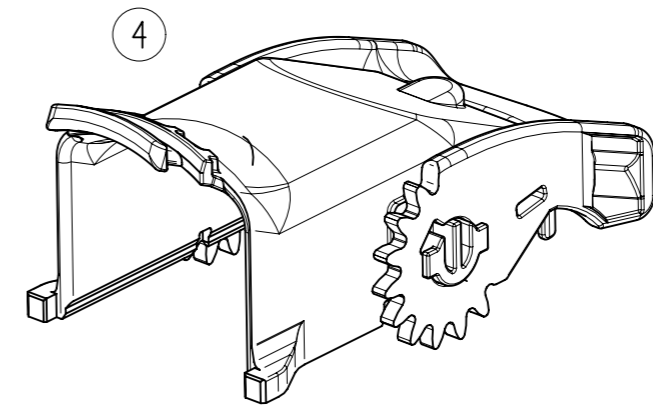
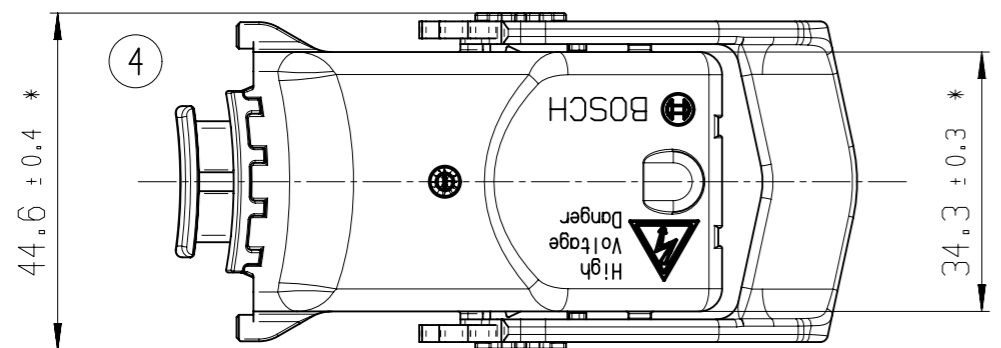


PRESENTED: LEVER CLOSED (DELIVERY CONDITION)  
 Dargestellt: Verriegelungshebel geschlossen (Auslieferungszustand)



THEORETICAL MAXIMUM CROSS SECTION AT THE CABLE EXIT  
 Theoretisch max. Querschnitt am Kabelabgang



ITEM Pos.	DESIGNATION Benennung	ORDER NUMBER Bestell-Nr.	MATERIAL Stoff	COLOUR Farbe	REMARKS Bemerkungen
2	LEVER Hebel		PA 66 - GF 30	BLACK Schwarz	
1	COVER Deckel		PA 66 - GF 30	BLACK Schwarz	
	COVER UNIT Deckeleinheit	1 928 405 505 (1 928 D01 842-01)	-----	-----	

PARTS MAY DIFFER IN NON-FUNCTIONAL DETAILS FROM THE REPRESENTATION IN THIS DRAWING  
 Teile koennen in nicht funktionsrelevanten Details von der Darstellung in der Zeichnung abweichen

- \*1) INCIDENCE PERMITTED. DIMENSION VALID IN ASSEMBLED POSITION ON CONTACT HOUSING UNIT
- \*1) Einfall zulaessig. Mass gilt im verbauten Zustand auf Kontaktraegereinheit

general tolerances for/Allgemeintoleranzen fuer		
lin. dim./L.-masse	radii/Radien	angles/Winkel
±0.5mm	±0.5mm	±5°
all linear dimensions in/ Alle Laengenmasse in		mm
drawing standard/ Zeichnungsstandard		ISO Standard

04	REVISED	20151022	vbd5kor	mrm3kor	kat1alc	2130	GS-AM/ENC			
03	REVISED	20110303	sbt1kor	lux2si	lux2si	2130	GS-AM/ENC	NX MIGRATION		
02	REVISED	20090514	sbt1kor	lux2si	lux2si	2130	GS-AM/ENC			
01	NEW EDITION	20090403	Co	lux2si	lux2si	2130	GS-AM/ENC			
Ind.	Change/Aend.	YYYYMMDD	Drawn/Gez.	Checked/Gepr.	Releas./Freig.	BWN	Resp. dept./Verantw. Abt.	Add. info./Zus. Info.		
Lang./Spr. en/de	Syst. UG	Wght./Gew.	Scale/M.stab 1:1		COVER UNIT DECKELEINHEIT		INCLINED 196P Schraeg 196p		Sheet/Bl. 1 / 1	
MNR		OFFER DRAWING ANGEBOTSZEICHN.		Doc. type AGZ		1 928 A00 532		DP/TD 001	Ind. 04	Format A3
Rep. for				Rep. by						

© Robert Bosch GmbH. All rights reserved. All rights reserved, also regarding reproduction, exploitation, reproduction, editing, distribution, as well as in the event of applications for industrial property rights.

© Robert Bosch GmbH. All rights reserved. All rights reserved, also regarding reproduction, exploitation, reproduction, editing, distribution, as well as in the event of applications for industrial property rights.