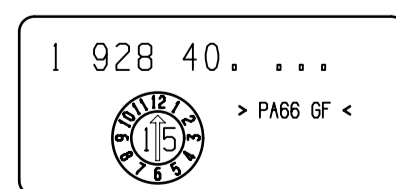


| | | | | |
|--------------|---|-----------------------|------------------|---|
| 2.3A | COVER Deckel | PA66 GF30 | BLACK Schwarz | ⑭ |
| 2.3B | LEVER Hebel | PA66 GF30 | BLACK Schwarz | ⑭ |
| 2.3C | CPA CPA | PA66 GF30 | RED rot | ⑭ |
| 2.2A | COVER Deckel | PA66 GF30 | BLACK Schwarz | |
| 2.2B | LEVER Hebel | PA66 GF30 | BLACK Schwarz | |
| 2.1A | COVER Deckel | PA66 GF30 | BLACK Schwarz | |
| 2.1B | LEVER Hebel | PA66 GF30 | BLACK Schwarz | |
| 1A | INTERFACE SEAL Radialdichtung | LSR 30 SHORE | ORANGE Orange | |
| 1B | SECONDARY LOCKING Sekundaerverriegelung | PA66 GF50 | LILAC Lila | |
| 1C | CONTACT HOUSING LOWER PART Kontakttraegerunterteil | PA66 MK40 | BEIGE Beige | |
| 1D | CONTACT HOUSING UPPER PART Kontakttraegeroberterteil | PA66 GF30 | BLACK Schwarz | |
| ITEM Pos. | DESIGNATION Benennung | MATERIAL Werkstoff | COLOR Farbe | |



BACK SIDE:
VARIOUS VERSIONS PERMITTED
Rueckseite:
Unterschiedliche Ausfuehrungen zulassung

FIXATION OF THE WIRING HARNESS ON THE VIBRATION LEVEL OF THE CONTROL UNIT, AT THE MAX. OF 100 mm AFTER CABLE EXIT. Fixierung des Kabelbaums auf dem Schwingungsniveau des Steuergeraets, nach max. 100 mm hinter dem Kabelabgang

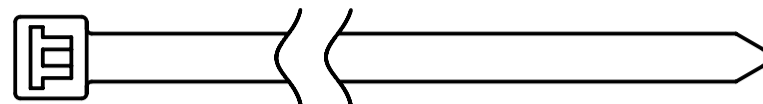
THE WIRING HARNESS HAS TO BE TAPED IN THE TRANSITION AREA TO ACCESSORY PARTS TO PREVENT THE WIRES FROM DAMAGE. Der Kabelbaum ist im Uebergangsbereich zu Zubehoerteilen zu bandagieren, um ein Beschaedigen der Leitungen zu verhindern.

| | | |
|---|--------------|---------------|
| general tolerances for Allgemeintoleranzen fuer lin. dim./L. maesse | radii/Radien | angles/Winkel |
| ±0,5mm | ±0,5mm | ±5° |
| all linear dimensions in/Alle Loergermaesse in mm | | |
| drawing standard/Zeichnungsstandard ISO Standard | | |
| confidential/Vertraulich | | |

| | | | | | | | |
|---------------|-------------|----------------|-----------------------------------|---------------|-----------------|----------------|-------------------|
| 141 F02BZ8665 | 20180125 | vbd/skr | wdm/3ba | kat/lalc | 2130 GS-AM/ENC | NX MIGRATION | |
| 13 | REVISED | 20150526 | abl4kor | sit4kor | kat/lalc | 2130 GS-AM/ENC | |
| 12 | REVISED | 20140225 | cht4kor | ria4kor | 2130 GS-AM/ENC | | |
| 01 | NEW EDITION | 20071112 | Dn | Lz | Lz | 2130 GS-AM/ENC | |
| Ind. | Change/Änd. | YYYYMMDD | Drawn/Gez. | Checked/Gepr. | Released/Freig. | BWN | |
| Lang./Spr. | Syst. | Night./Dev. | PLUG-IN CONNECTOR STECKVERBINDUNG | | | | 38-WAY 38-polig |
| ent./de | UG | Scale/ Maßstab | BOSCH | | | | 1 / 4 |
| MNR | | 2:1 | OFFER DRAWING ANGEBOOTSZEICHN. | | | | 1 928 A00 287-006 |
| | | | Repl. For | | | | 001 14 A1 |

© Robert Bosch GmbH. All rights reserved, also regarding any dissemination, copying or reproduction. This document contains confidential information. The disclosure of confidential information is not permitted without written authorization of Robert Bosch GmbH.

| PARTS TO BE USED Zu verwendende Teile | | | |
|--|---|---------------------------------------|-----------------------|
| ITEM Pos. | DESIGNATION Benennung | ORDER NUMBER Bestellnummer | SUPPLIER Lieferant |
| ⑭ 2.3 | COVER UNIT, CABEL EXIT FLAT WITH CPA Deckeleinheit, Kabelabgang gerade mit CPA | 1 928 406 062 | BOSCH GS-AM/SCO |
| 2.2 | COVER UNIT, CABLE EXIT ABOVE Deckeleinheit, Kabelabgang oben | 1 928 405 699 | BOSCH GS-AM/SCO |
| 2.1 | COVER UNIT, CABLE EXIT FLAT Deckeleinheit, Kabelabgang gerade | 1 928 405 328 | BOSCH GS-AM/SCO |
| 1 | CONTACT HOUSING UNIT Kontakttraegereinheit | SEE CODE TABLE Siehe Kodiertabelle | BOSCH GS-AM/SCO |

| FITTING ACCESSORY PARTS Passende Zubehoerteile | | | | |
|---|--------------------------|------------------------------------|-------------------------------|-----------------------|
| PART Teil | DESIGNATION Benennung | OFFER DRAWING Angebotszeichnung | ORDER NUMBER Bestellnummer | SUPPLIER Lieferant |
|  | CABLE TIE Kabelbinder | C 265 152 006A | 1 928 401 713 | BOSCH GS-AM/SCO |

TERMINALS, SINGLE WIRE SEALS, DUMMY PLUGS, DISASSEMBLY TOOL, CRIMPING TOOLS TO BE USED:
Zu verwendende Kontakte, Einzeladerdichtungen, Blindstopfen, Demontagewerkzeuge, Crimpzangen:

| | | | | | | SINGLE WIRE SEALS Einzeladerdichtungen | | DUMMY PLUGS Blindstopfen | | | DISASSEMBLY TOOLS Demontagewerkzeuge | CRIMPING TOOLS Crimpwerkzeuge | CRIMPING PLIERS Crimpzangen | |
|---------|---------------|---|--|------------------------|-----------------------|---|---------------------------|-------------------------------|----------------|-----------------------|---|----------------------------------|-----------------------------------|-----------------------|
| BTL | 1 928 | WIRE RANGE (mm ²) Leitungsquerschnitt (mm ²) | INSULATION DIAMETER (mm) Isolationsdurchmesser (mm) | SURFACE Oberflaeche | SUPPLIER Lieferant | ORDER NUMBER Bestellnummer | COLOR Farbe | ORDER NUMBER Bestellnummer | COLOR Farbe | SUPPLIER Lieferant | ORDER NUMBER Bestellnummer | ORDER NUMBER Bestellnummer | ORDER NUMBER Bestellnummer | SUPPLIER Lieferant |
| BTL 1.5 | 1 928 498 690 | 0.35 - 0.5 | 1.2 - 1.6 (FLR) | Sn | BOSCH GS-AM/SCO | 1 928 301 118 | RED Rot | 1 928 301 087 | WHITE Weiss | BOSCH GS-AM/SCO | 1 928 498 714 | 1 928 498 706 | 1 928 498 839 | BOSCH GS-AM/SCO |
| BTL 1.5 | 1 928 498 650 | > 0.5 - 0.75 | 1.6 - 1.9 (FLR) | Sn | BOSCH GS-AM/SCO | 1 928 301 083 | GREY Grau | 1 928 301 087 | WHITE Weiss | BOSCH GS-AM/SCO | 1 928 498 714 | 1 928 498 707 | 1 928 498 838 | BOSCH GS-AM/SCO |
| BTL 1.5 | 1 928 498 650 | 1.0 | 1.9 - 2.1 (FLR) | Sn | BOSCH GS-AM/SCO | 1 928 301 084 | YELLOW Gelb | 1 928 301 087 | WHITE Weiss | BOSCH GS-AM/SCO | 1 928 498 714 | 1 928 498 707 | 1 928 498 838 | BOSCH GS-AM/SCO |
| BTL 2.8 | 1 928 498 651 | 1.5 | 2.0 - 2.7 (FLR) | Sn | BOSCH GS-AM/SCO | 1 928 301 206 | REDDISH BROWN Rotbraun | 1 928 301 207 | GREEN Gruen | BOSCH GS-AM/SCO | 1 928 498 715 | 1 928 498 708 | 1 928 498 840 | BOSCH GS-AM/SCO |
| BTL 2.8 | 1 928 498 651 | 2.5 | 2.7 - 3.0 (FLR) | Sn | BOSCH GS-AM/SCO | 1 928 301 085 | ORANGE Orange | 1 928 301 207 | GREEN Gruen | BOSCH GS-AM/SCO | 1 928 498 715 | 1 928 498 708 | 1 928 498 840 | BOSCH GS-AM/SCO |
| BTL 4.8 | 1 928 498 652 | > 2.5 - 4.0 | 3.4 - 3.7 (FLR) | Sn | BOSCH GS-AM/SCO | 1 928 301 086 | BLUE Blau | 1 928 301 208 | WHITE Weiss | BOSCH GS-AM/SCO | 1 928 498 716 | 1 928 498 709 | 1 928 498 841 | BOSCH GS-AM/SCO |

TERMINALS AND PIN TERMINALS OF CONNECTOR AND PIN HOUSING MUST HAVE THE SAME SURFACE
Kontakte und Kontaktstifte von Stecker und Stiftleiste muessen gleiche Oberflaechen aufweisen

PROCESSING SPECIFICATION / Verarbeitungsvorschrift


BTL 1.5: 1 928 A00 00V BTL 2.8: 1 928 A00 01V BTL 4.8: 1 928 A00 02V

PARTS HAVE TO BE ORDERED AT THE SUPPLIERS!
Teile sind bei den Lieferanten zu bestellen !

| | | | | | | |
|---|---|---------------|---|---------------|---|---------------|
| CORRESPONDING DOCUMENTS: Zugehoerige Unterlagen: | TECHNICAL CUSTOMER DOCUMENTATION Technische Kundenunterlagen | 1 928 A01 87T | ASSEMBLY INSTRUCTION Montagevorschrift | 1 928 A01 53M | FINAL CHECK INSTRUCTION Endpruefvorschrift | 1 928 A00 29E |
|---|---|---------------|---|---------------|---|---------------|

| | | | |
|--|---|--|--|
| MODIFICATIONS RESERVED DUE TO FURTHER DEVELOPMENT. Aenderungen aufgrund der weiteren Entwicklung vorbehalten. | PARTS MAY DIFFER IN NON-FUNCTIONAL DETAILS FROM THE REPRESENTATION IN THIS DRAWING. Teile koennen in nicht funktionsrelevanten Details von der Darstellung in der Zeichnung abweichen. | THIS DRAWING ISN'T QUALIFIED FOR CONSTRUCTION OR TOOL BUILDING. Diese Zeichnung ist nicht fuer die Konstruktion oder Werkzeugerstellung geeignet. | INCIDENCE OF '1' mm PER SIDE IS PERMITTED. Einfall von '1' mm je Seite ist erlaubt. |
|--|---|--|--|

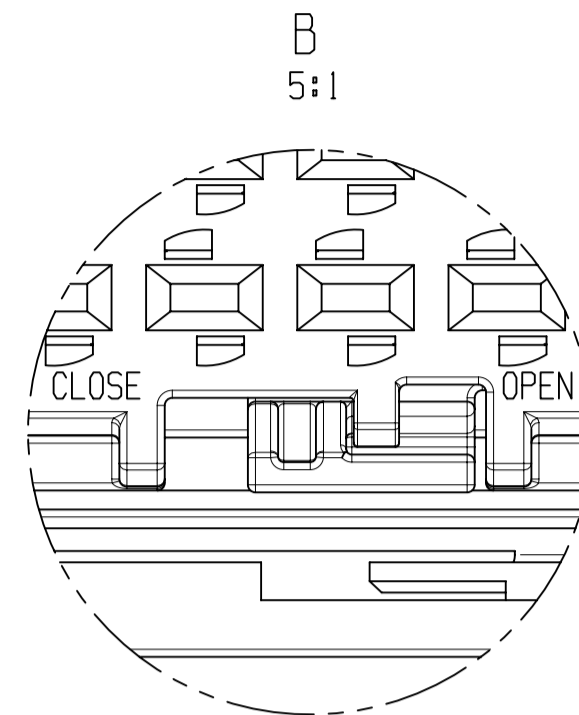
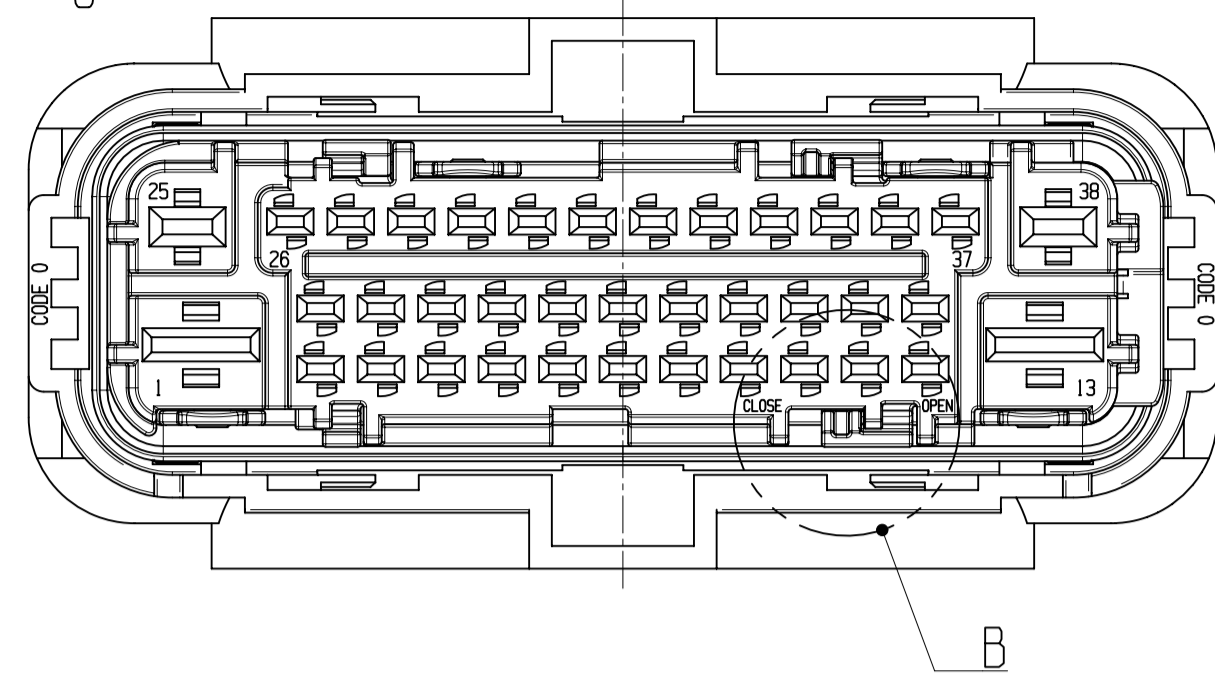
| | | | |
|---|--------------|--------|-----|
| general tolerances for all dimensions lin. dim./Laeenge radii/Radien angles/Winkel | +0,5mm | +0,5mm | ±5° |
| all linear dimensions in/ Alle Laengenmassen in | mm | | |
| drawing standard/ Zeichnungsstandard | ISO Standard | | |
| confidential/Vertraulich | | | |

| | | | | | | |
|---|----------------------------------|-------------|---|------------------|--------------------|---------------------------|
| 141 F02BZ8665 | 20160125 | vbo5kor | wdm3ba | kat1alc | 2130 GS-AM/ENC | NX MIGRATION |
| 13 REVISED | 20150526 | abl4kor | sit4kor | kat1alc | 2130 GS-AM/ENC | |
| 12 REVISED | 20140225 | cht4kor | ria1kor | | 2130 GS-AM/ENC | |
| 01 NEW EDITION | 20071112 | Dn | Lz | Lz | 2130 GS-AM/ENC | |
| Ind. Change/Änd. | YYYYMMDD | Drawn/Gez. | Checked/Gepr. | Released/Freige. | Drawn/Gez. | Responsible/Verantw. Abt. |
| Lang./Spr. | Syst. | Night./Dev. | PLUG-IN CONNECTOR STECCKERVERBINDUNG | | 38-WAY 38-polig | Sheet/Bl. 2 / 4 |
| ent/de | UG | | Scale/Verstab. 2:1 | | Doc. type AGZ | 1 928 A00 287-006 |
|  | OFFER DRAWING ANGEBOTSZEICHN. | | Repl. for | DP/ID 001 | Ind. Format A1 | 14 |

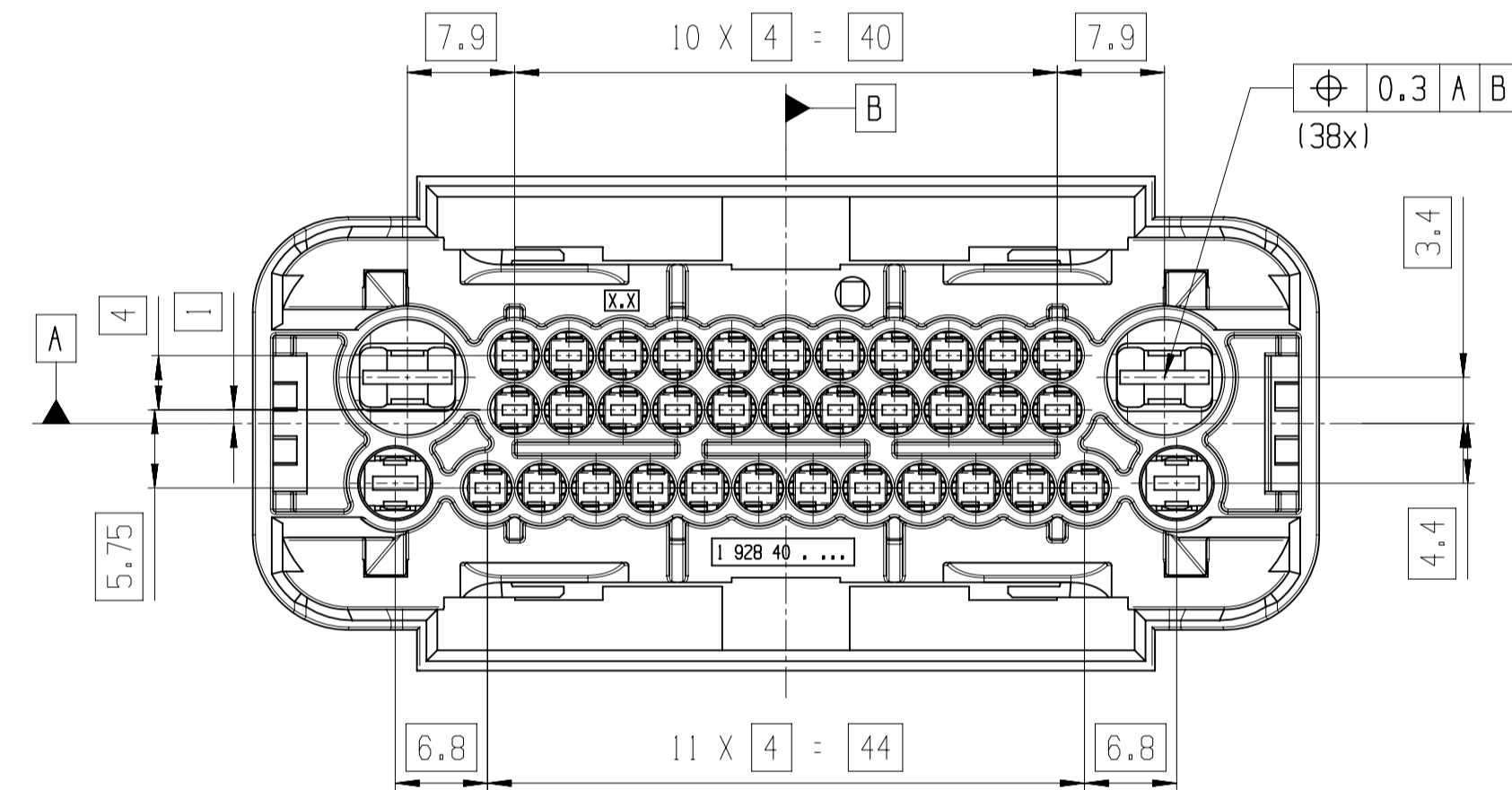
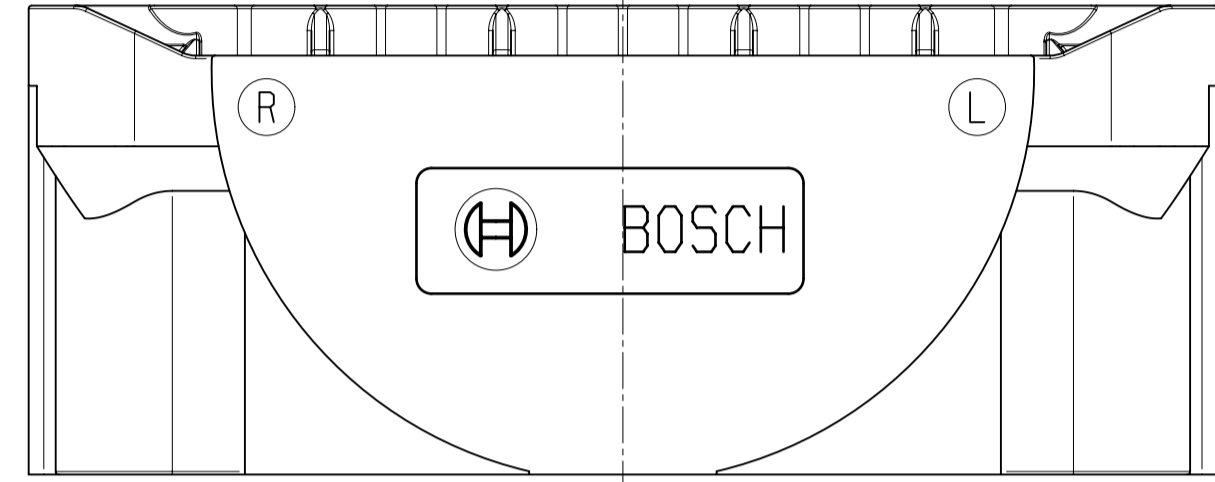
© 2016 Bosch GmbH. All rights reserved, also regarding any dissemination, copying or reproduction. This document contains confidential information. The disclosure of confidential information is not permitted without written authorization of Bosch Group. Bosch Group is not liable for any damage resulting from the use of the information contained herein.

DELIVERY CONDITION: PARTS HAVE TO BE ORDERED SEPARATELY
Anlieferungszustand: Teile sind einzeln zu bestellen

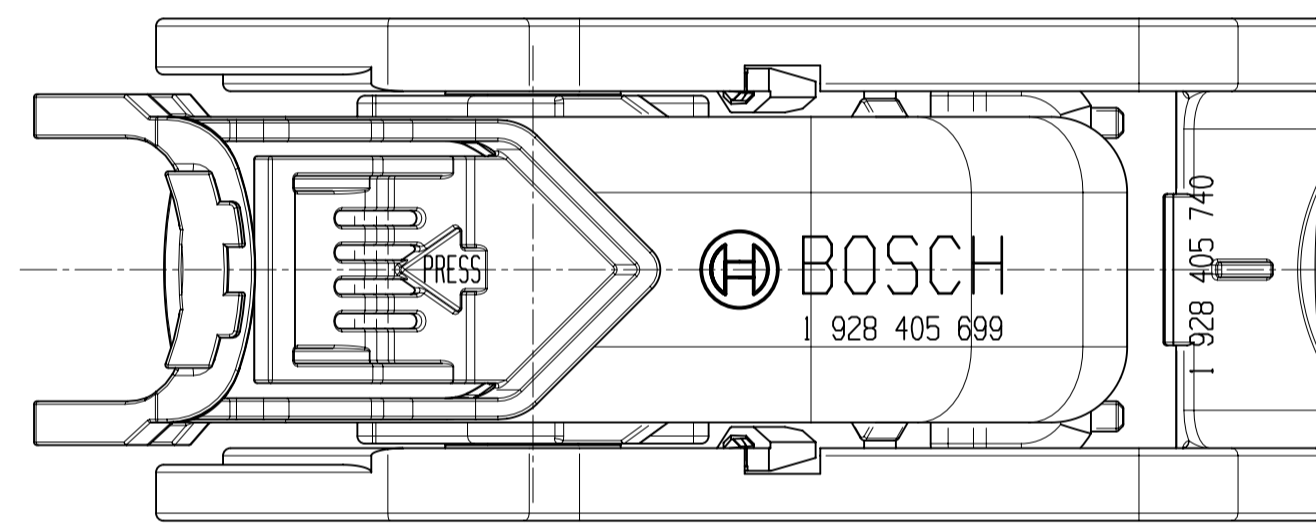
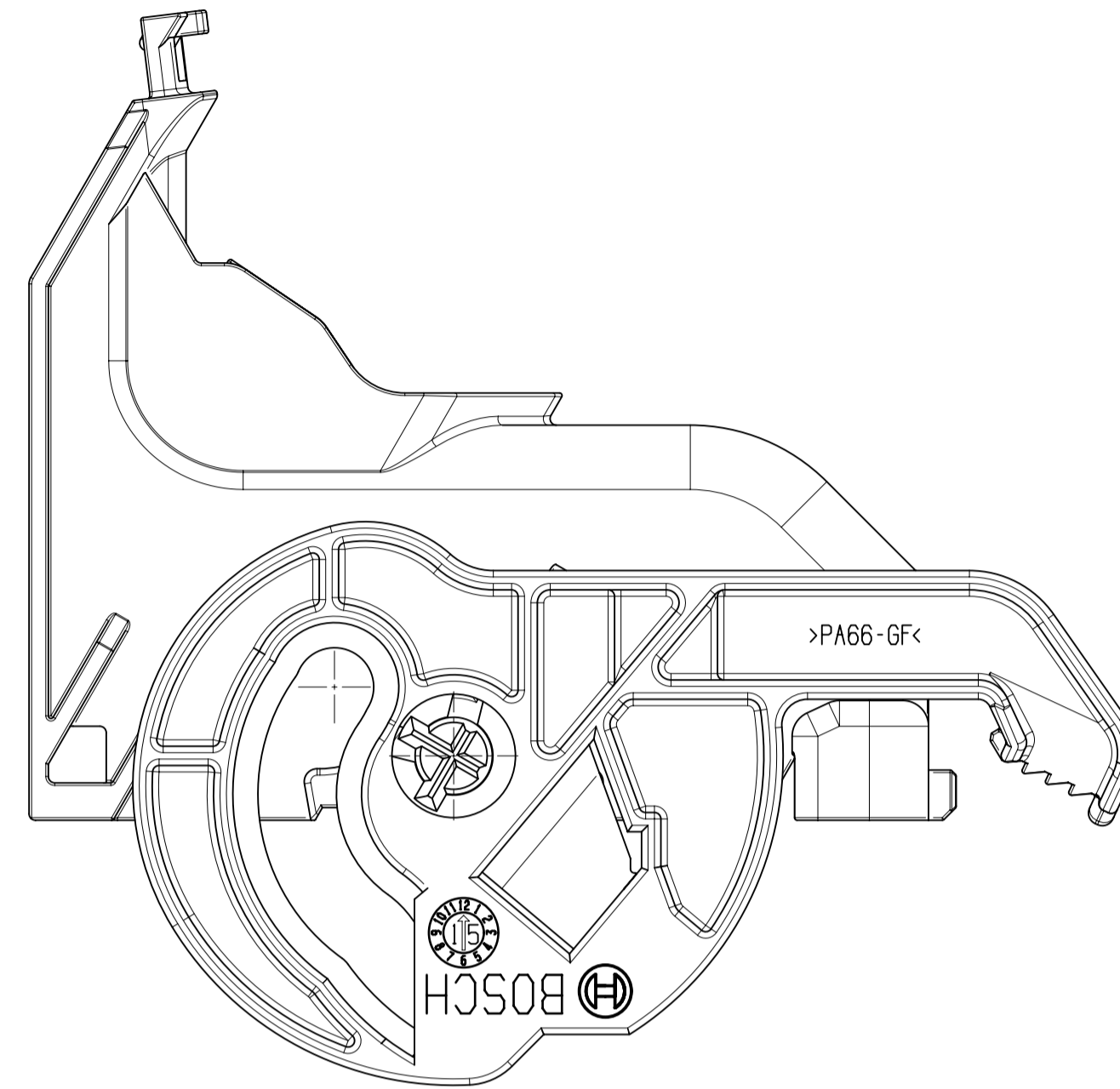
CONTACT HOUSING UNIT
Kontakttraegerereinheit



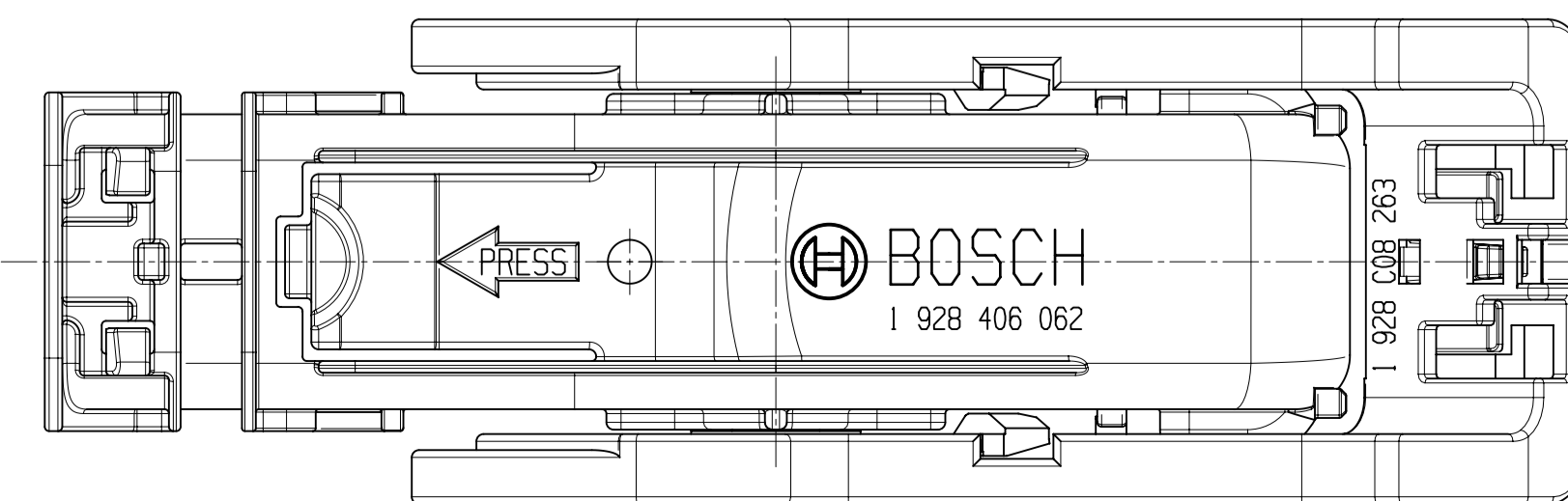
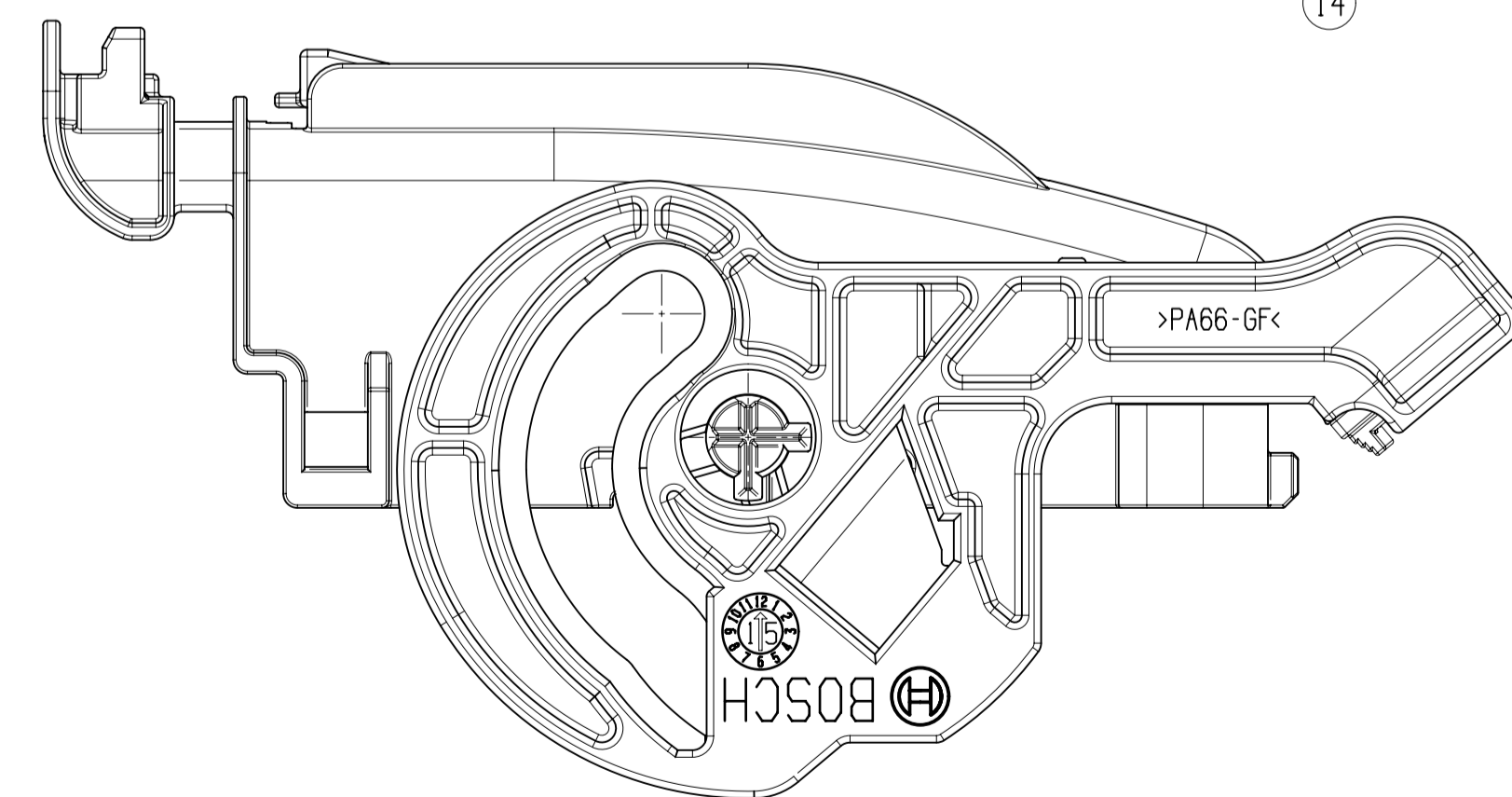
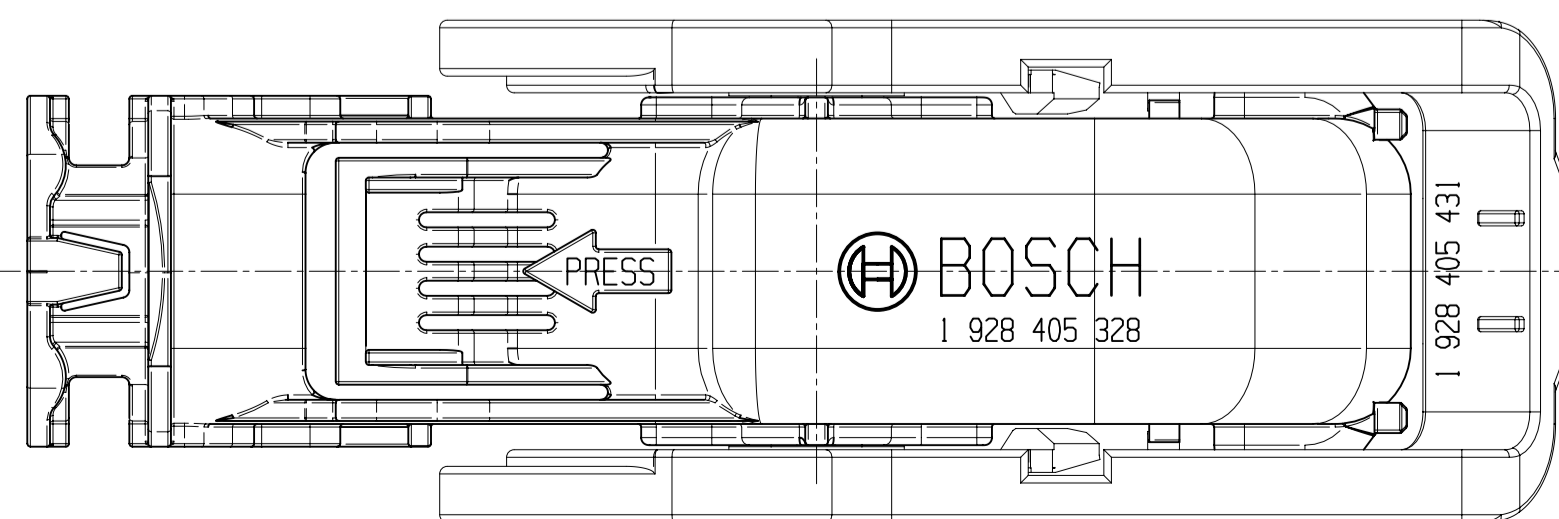
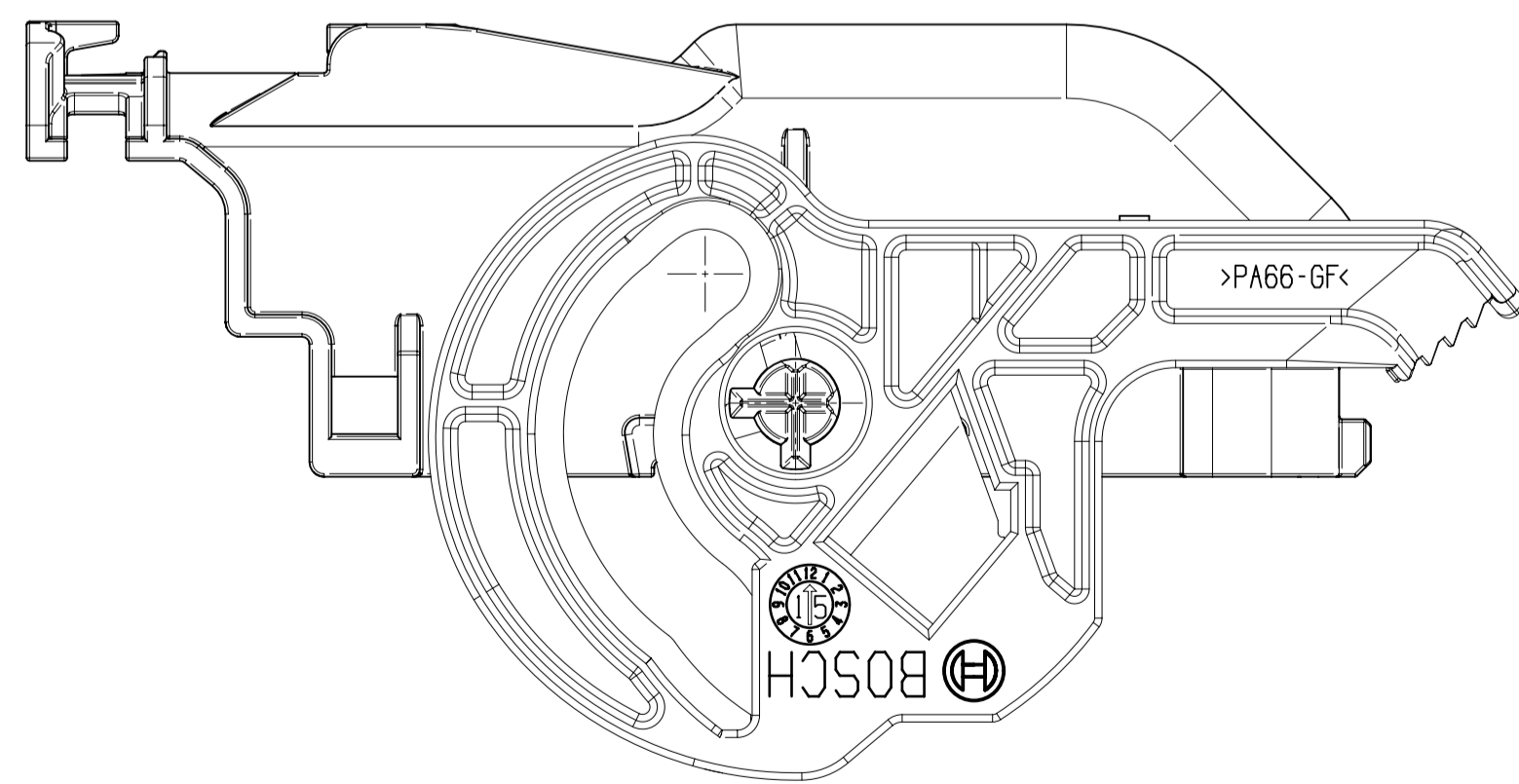
SECONDARY LOCKING
OPEN
Sekundaervernriegelung
geoeffnet



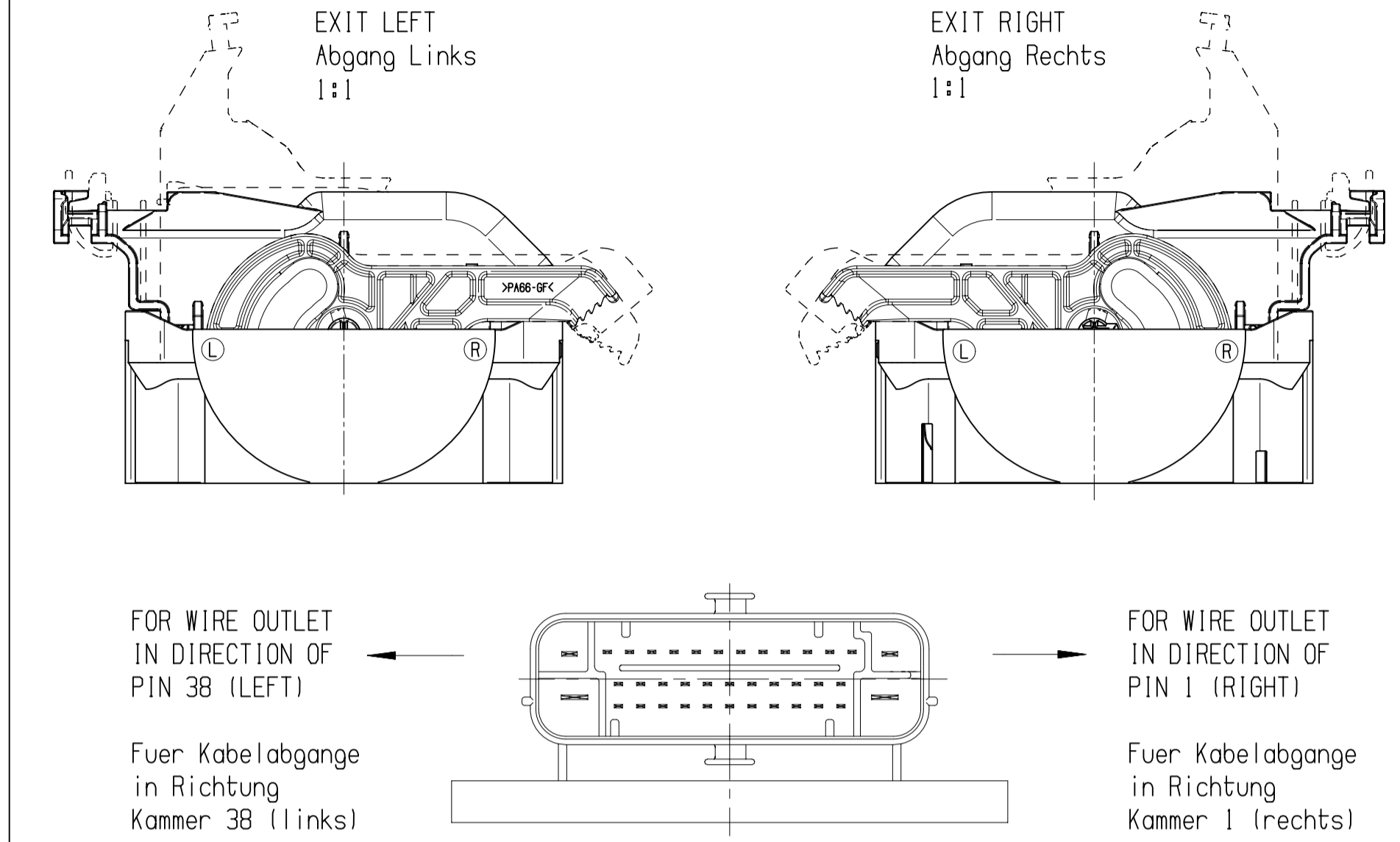
COVER UNIT, CABEL EXIT ABOVE
Deckeleinheit, Kabelabgang oben



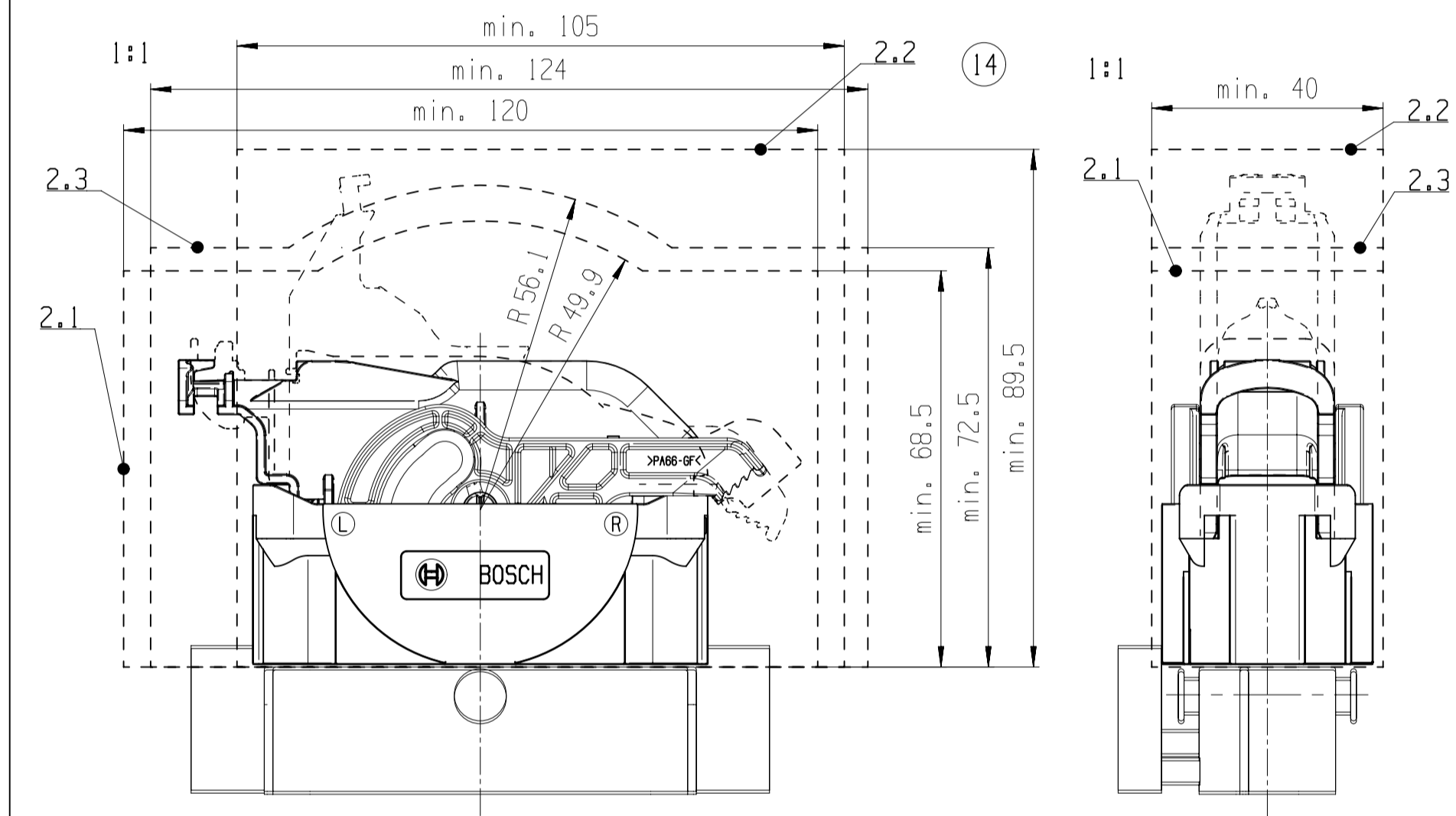
COVER UNIT, CABEL EXIT FLAT
Deckeleinheit, Kabelabgang gerade



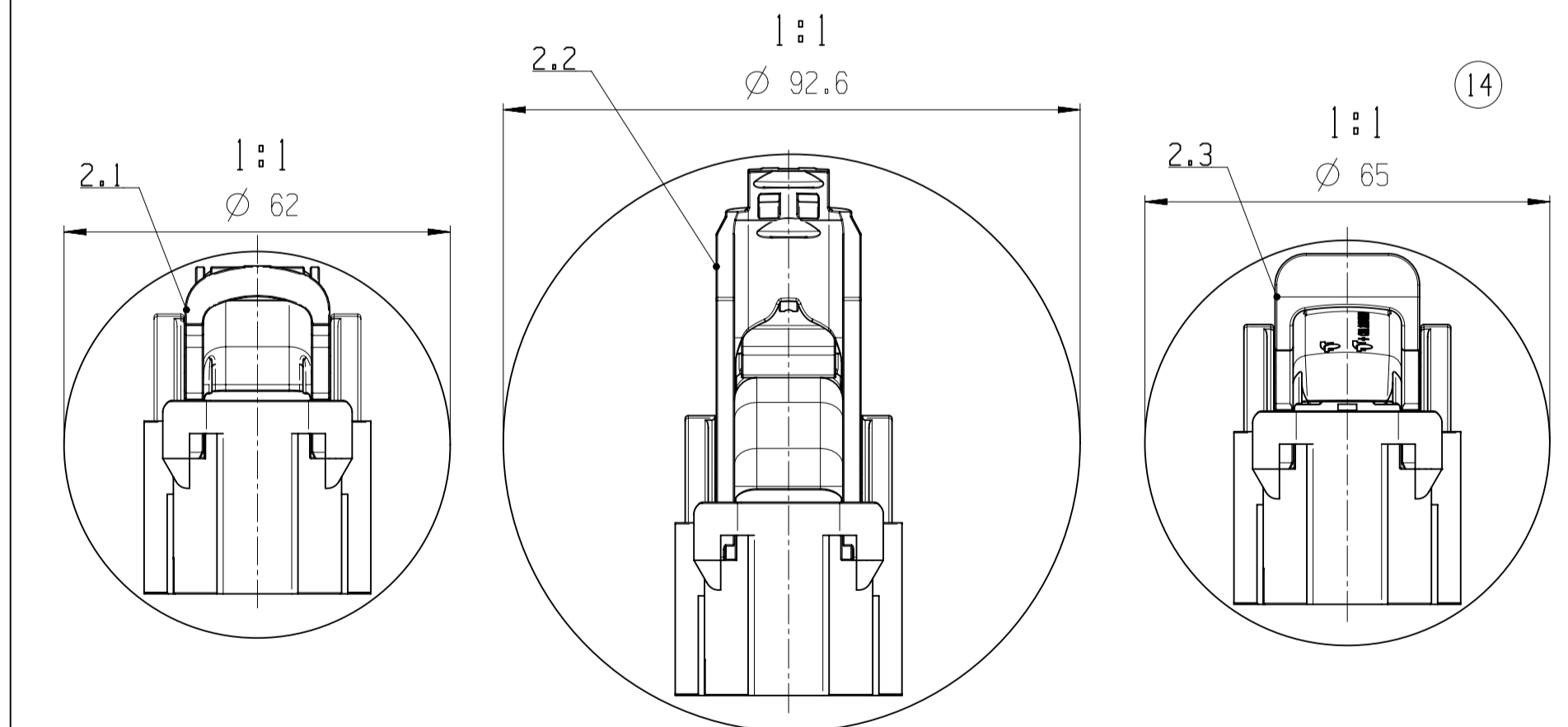
DEFINITION OF CABLE EXIT
Definition von Kabelabgang



DEFINITION OF REQUIRED CLEARANCE
Definition des erforderlichen Freiraums



REQUIRED PASSAGE OPENING
Erforderliche Durchfuhrungs-
oeffnung



| | | | |
|---|-------------------|-------|--------|
| general tolerances for all dimensions | linear dimensions | radii | angles |
| ±0.5mm | ±0.5mm | ±5° | |
| all linear dimensions in mm | | | |
| drawing standard / Zeichnungsstandard: ISO Standard | | | |
| confidential / Vertraulich | | | |

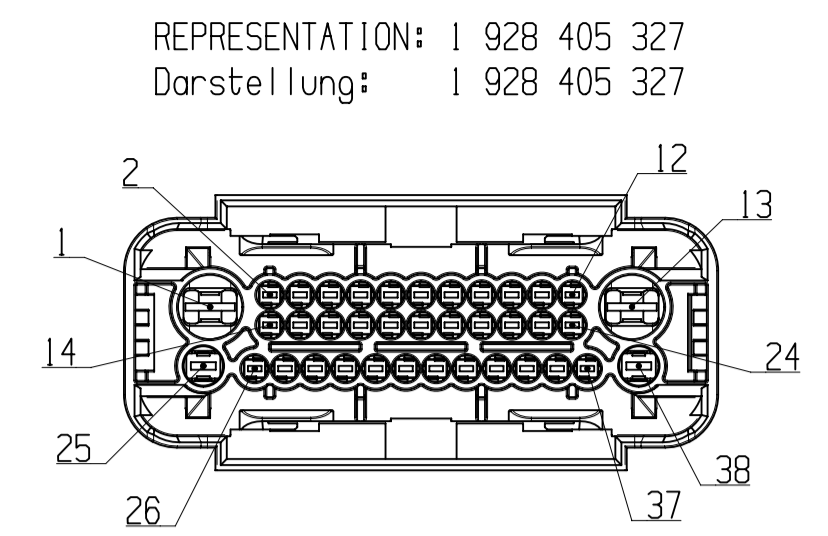
| | | | | | | |
|---------------------------------|----------|-------------|---------------|---------------------------------------|----------------|---------------------------|
| 141 F02BZ8665 | 20160125 | vbo5kor | wdm3ba | kat1alc | 2130 G5-AM/ENC | NX MIGRATION |
| 13 REVISED | 20150526 | abl4kor | sit4kor | kat1alc | 2130 G5-AM/ENC | |
| 12 REVISED | 20140225 | cht4kor | ria1kor | | 2130 G5-AM/ENC | |
| 01 NEW EDITION | 20071112 | Dn | Lz | Lz | 2130 G5-AM/ENC | |
| Ind. Change/Änd. | YYYYMMDD | Drawn/Gez. | Checked/Gepr. | Released/Freige. | BWN | Resp. dept./Verantw. Abt. |
| Lang./Spr. | Syst. | Night./Gew. | Scale/Maßstab | PLUG-IN CONNECTOR / STECKERVERBINDUNG | | |
| en/de | UG | | 2:1 | 38-WAY / 38-polig | | |
| BOSCH | | | | Ind. Form. / 3 / 4 | | |
| OFFER DRAWING / ANGEBOTSZEICHN. | | | | 1 928 A00 287-006 | | |
| MNR | | | | Repl. by .. | | |

© Bosch GmbH. All rights reserved, also regarding any dissemination, copying or reproduction. This document contains confidential information. The copyright for this document is reserved by Bosch Power Tools GmbH.

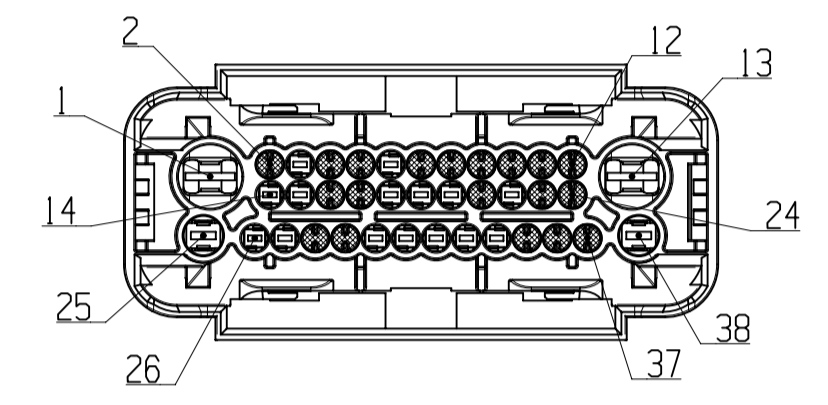
| ORDER NUMBER Bestellnummer | CODE Kodierung | GM PART-NUMBER GM Teile-nummer | NUMBER OF OPEN CAVITIES (...) Anzahl offene Kammern (...) | POSITION OF CAVITY/ NUMBER OF CAVITY / Kammerposition/ Kammernummer | | | | | | | | | | | | | | | | | | | | | | | | | | | | | | | | | | |
|-------------------------------|-------------------|-----------------------------------|--|--|---|---|---|---|----|----|----|----|------------------|----|----|----|----|----|--|----|----|------------------|----|----|----|----|----|----|----|----|----|----|----|----|----|----|----|--|
| | | | | 0 ... CAVITY CLOSED FOR BTL 2.8 AND 4.8 0 ... Kammer geschlossen fuer BTL 2.8 und BTL 4.8 | | | | | | | | | | | | | | | X ... CAVITY CLOSED FOR BTL 1.5 X ... Kammer geschlossen fuer BTL 1.5 | | | | | | | | | | | | | | | | | | | |
| | | | | LINE 1 / Reihe 1 | | | | | | | | | LINE 2 / Reihe 2 | | | | | | | | | LINE 3 / Reihe 3 | | | | | | | | | | | | | | | | |
| 1 | 2 | 3 | 4 | 5 | 6 | 7 | 8 | 9 | 10 | 11 | 12 | 13 | 14 | 15 | 16 | 17 | 18 | 19 | 20 | 21 | 22 | 23 | 24 | 25 | 26 | 27 | 28 | 29 | 30 | 31 | 32 | 33 | 34 | 35 | 36 | 37 | 38 | |
| 1 928 405 327 | 0 | 13513363 | (38) | | | | | | | | | | | | | | | | | | | | | | | | | | | | | | | | | | | |
| 1 928 405 363 | | 13513364 | (19) | X | | X | X | | X | X | X | X | X | | | X | X | | | | X | X | | | | | X | X | | | | | X | X | X | | | |
| 1 928 405 377 | | 13513365 | (18) | X | X | X | X | | X | X | X | X | X | | | X | X | | | | X | X | | | | | X | X | | | | | X | X | X | | | |
| 1 928 405 496 | | 13513366 | (22) | X | | X | X | | X | X | X | X | X | | | X | | | | | X | X | | | | | X | X | | | | | | X | X | | | |
| 1 928 405 629 | | 13510809 | (25) | X | X | | X | | X | X | | | | | | | X | | | X | | | | | | | | | | X | X | | X | | | | 0 | |
| 1 928 405 831 | | 13513367 | (26) | X | | | | X | X | | X | X | X | X | | | | | | | X | | X | X | | | | | | X | | | | X | | | | |
| 1 928 405 939 | | 13510805 | (25) | X | | | | | X | | | | | X | X | X | | | | | X | X | | | | X | X | | | X | X | | | | | X | | |
| 1 928 406 024 | | 13510808 | (21) | X | X | | X | X | | X | X | X | X | | | | | | | | X | X | X | X | | | | | X | X | X | X | X | X | X | | | |
| 1 928 406 025 | | 13510809 | (34) | | | | | X | | | | | | X | X | | | | | | | | | | | | | | | X | | | | | | | | |
| 1 928 406 026 | | 13510807 | (27) | X | | | X | | | | X | X | X | | | | | | | | X | X | X | | | | | | X | | | X | X | | | | | |

(14)

(14)



REPRESENTATION (EXAMPLE: 1 928 405 363)
MINOR VARIANTS
Darstellung (Beispiel: 1 928 405 363)
Variante fuer Minderbestueckung



"X" INDICATES CLOSED CAVITIES
Zeigt geschlossene Kammern

CLOSED CAVITIES/ Geschlossene Kammern:
2,4,5,7,8,9,10,11,12,16,17,21,23,24,28,
29,35,36,37

© Robert Bosch GmbH. All rights reserved, also regarding any dissemination in electronic and/or mechanical forms. All other rights reserved. In the event of any conflict of laws, the law of the country in which the manufacturer is located shall apply.

| | | | |
|---|--------------|---------------|--|
| general tolerances for Allgemeintoleranzen fuer | | | |
| lin. dim./L-maesse | radii/Radien | angles/Winkel | |
| +0,5mm | ±0,5mm | ±5° | |
| all linear dimensions in/ Alle Loergermaesse in | | | |
| mm | | | |
| drawing standard/ Zeichnungsstandard | | | |
| ISO Standard | | | |
| confidential/Vertraulich | | | |

| | | | | | | |
|------------------|----------|-------------|--------------------------------------|-----------------|---------------------------|-----------------------|
| 141 F02BZ86665 | 20160125 | vbd5kor | wdm3ba | kat1alc | 2130 GS-AM/ENC | NX MIGRATION |
| 13 REVISED | 20150526 | abl4kor | sst4kor | kat1alc | 2130 GS-AM/ENC | . |
| 12 REVISED | 20140225 | cht4kor | riatkor | . | 2130 GS-AM/ENC | . |
| 01 NEW EDITION | 20071112 | Dn | Lz | Lz | 2130 GS-AM/ENC | . |
| Ind. Change/Änd. | YYYYMMDD | Drawn/Gez. | Checked/Gepr. | Released/Freig. | Resp. dept./Verantw. Abt. | Ass. info./Zus. Info. |
| Lang./Spr. | Syst. | Right./Gew. | PLUG-IN CONNECTOR STECKVERBINDUNG | | 38-WAY 38-polig | Sheet/Bl. 4 / 4 |
| en/de | UG | UG | BOSCH | | Ind. Format | |
| Scale/Verstab | 2:1 | | OFFER DRAWING ANGEBOTSZEICHN. | | Doc. type AGZ | |
| MNR | | | 1 928 A00 287-006 | | DP/ID | 14 |
| | | | Repl. by | | | |