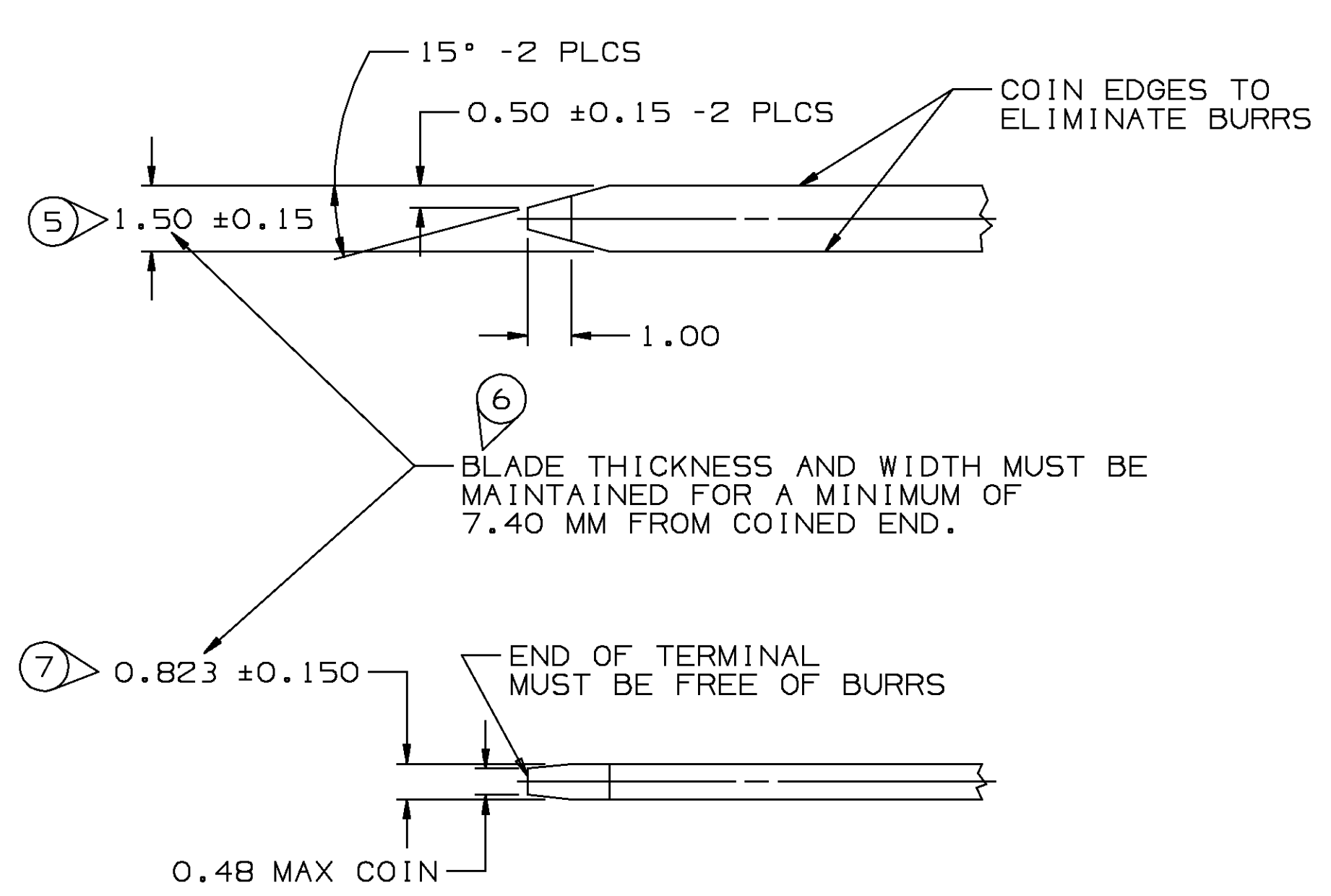


DDELPHI PACKARD ELECTRIC SYSTEMS
REV. 010-4486



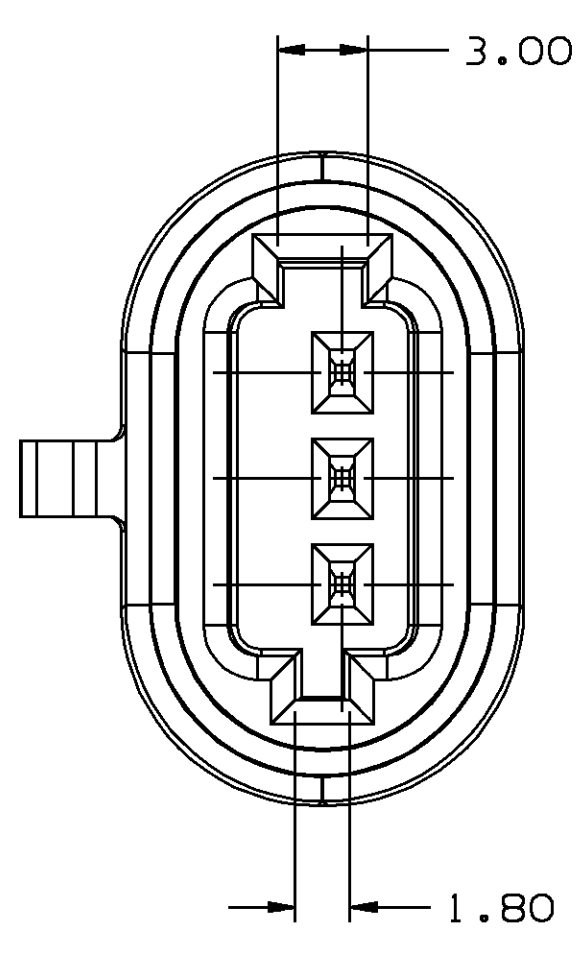
BLADE THICKNESS AND WIDTH MUST BE MAINTAINED FOR A MINIMUM OF 7.40 MM FROM COINED END.

MATERIAL SPECIFICATIONS

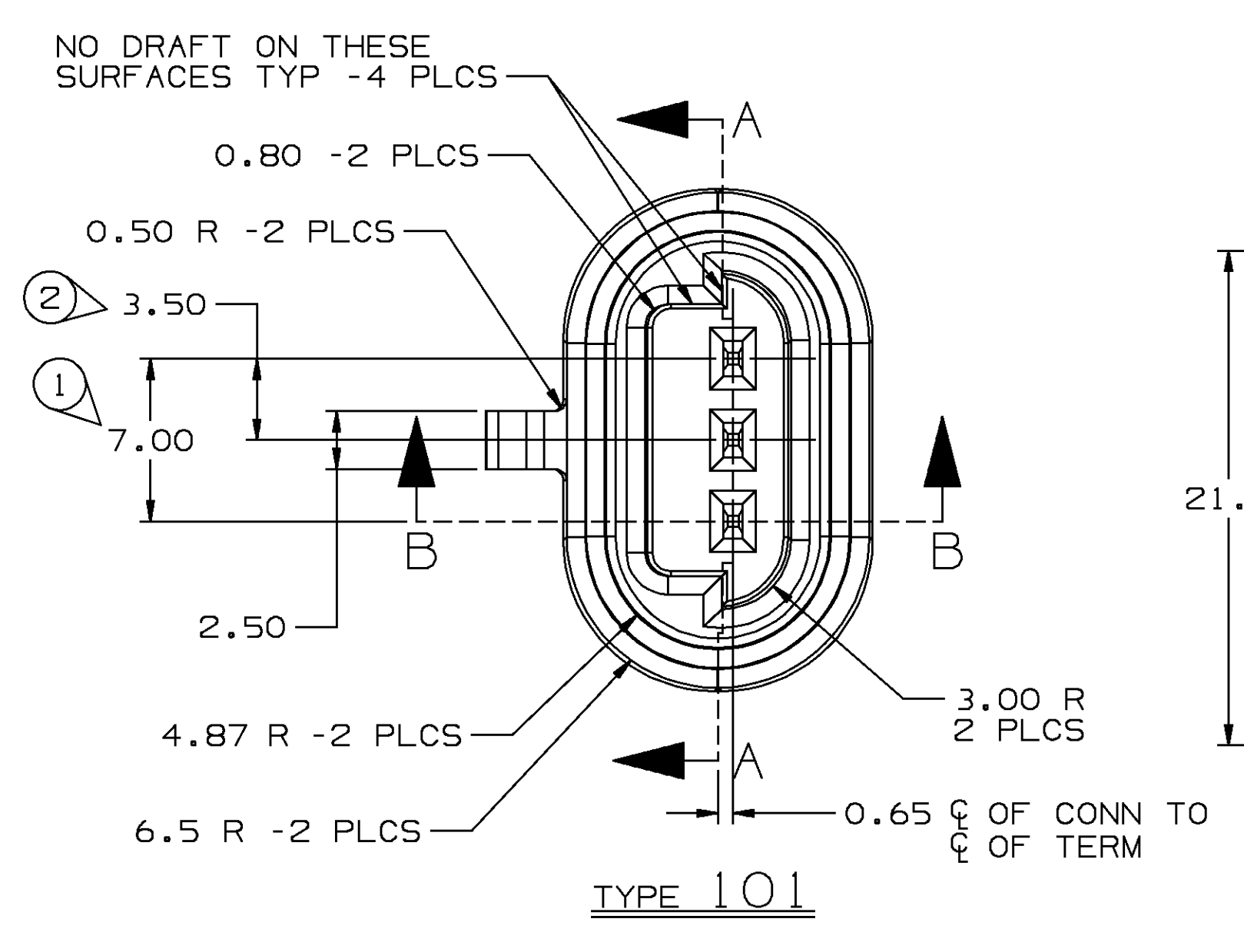
RECOMMENDED
 BASE METAL - CDA-210, EXTRA SPRING TEMPER
 PLATING - 0.0050±0.0025 MM THICK TIN

MINIMUMS
 ELECTRICAL CONDUCTIVITY - ≥20% IACS AT 20°C. USE OF A MATERIAL WITH CONDUCTIVITY < 20% IACS MUST BE APPROVED BY PACKARD ELECTRIC MATERIALS ENGINEERING.
 TENSILE STRENGTH - 407 MPa
 PLATING - FOR LOW ENERGY (≤5v) AND NON-PASSENGER COMPARTMENT POWER CIRCUITS, 0.0050±0.0025 MM THICK TIN. FOR MATERIALS CONTAINING 10% OR MORE ZINC, AN UNDERPLATE OF COPPER 0.0050±0.0025 MM THICK IS REQUIRED.

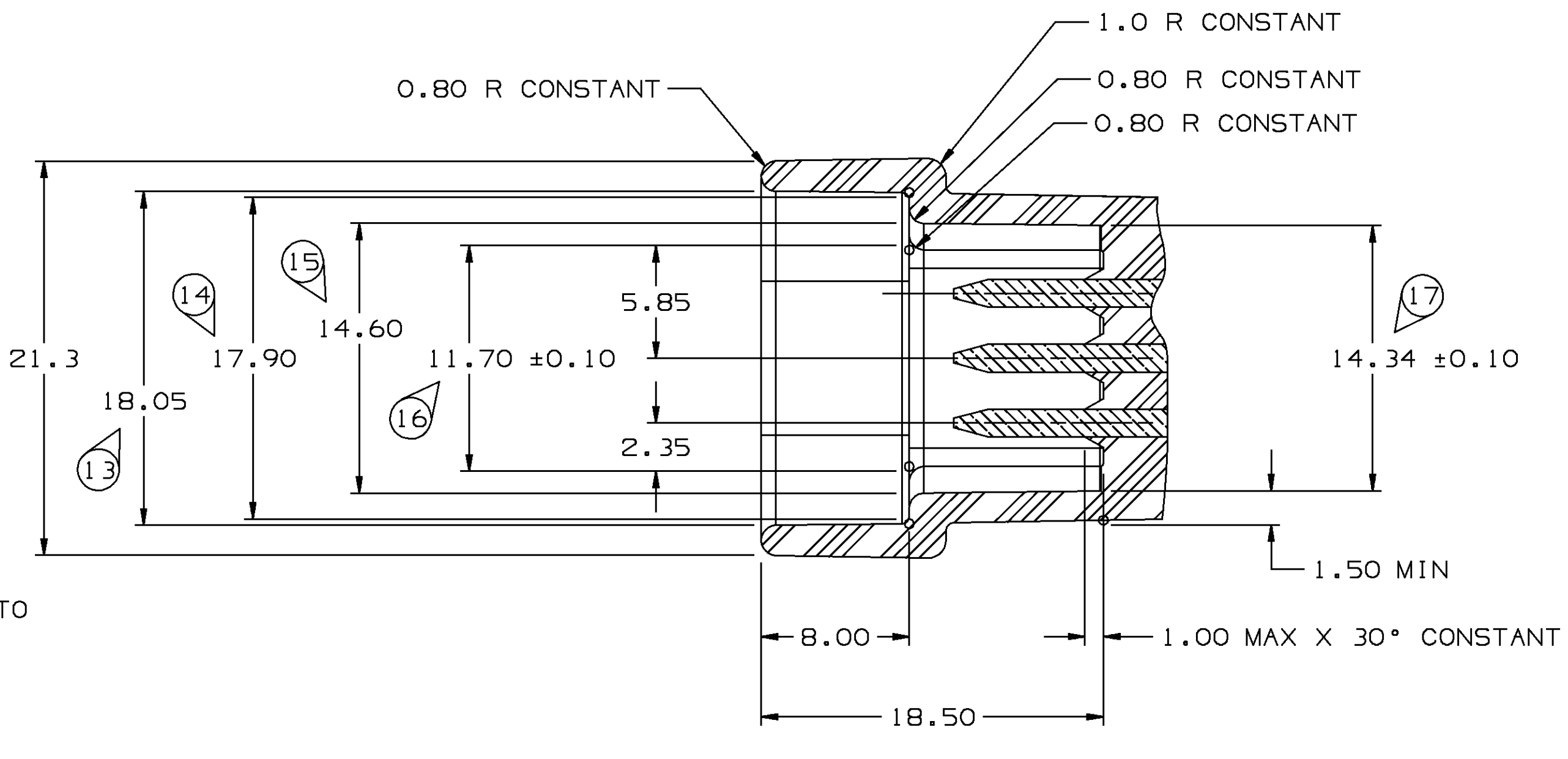
MATING BLADE INFORMATION
SCALE B:1



TYPE 102
SAME AS TYPE 101 EXCEPT AS SHOWN

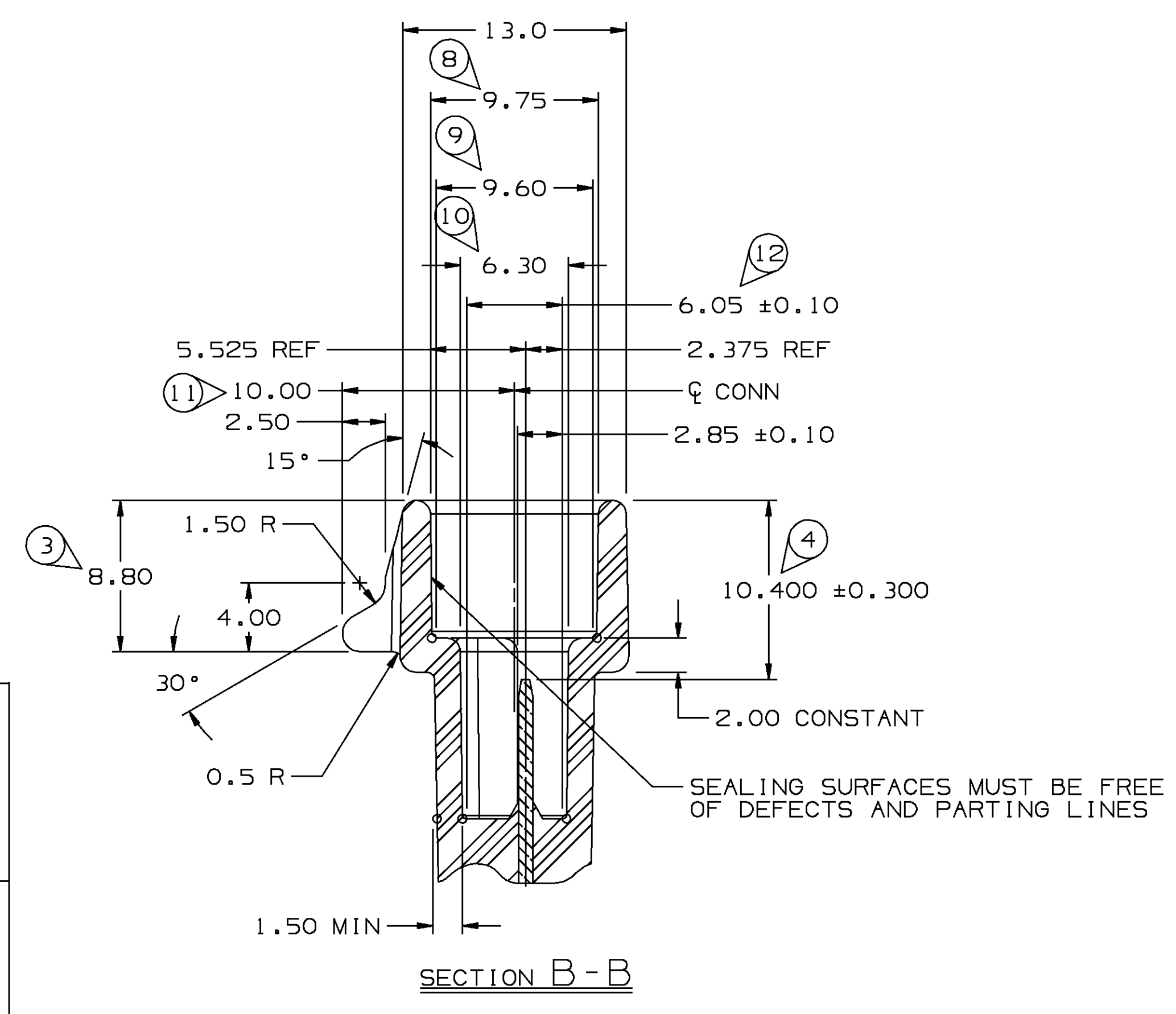


TYPE 101



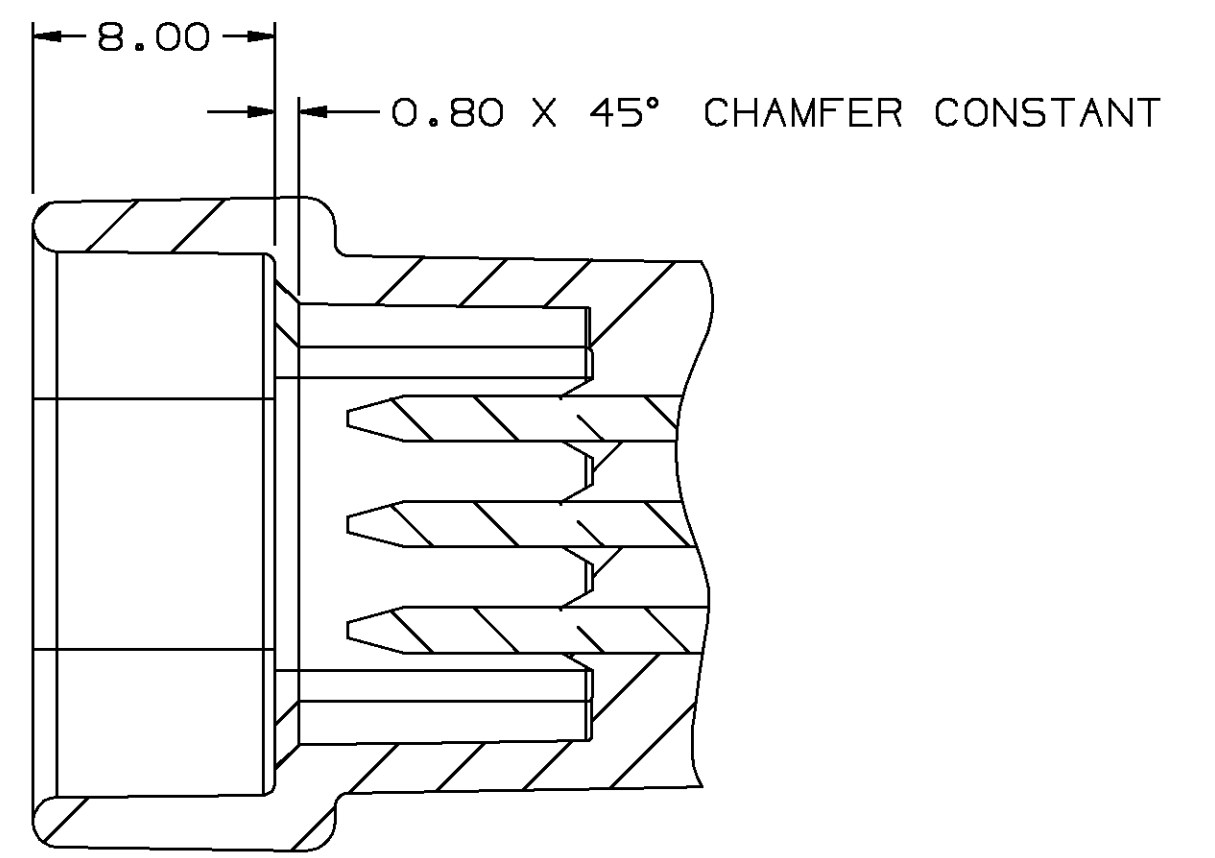
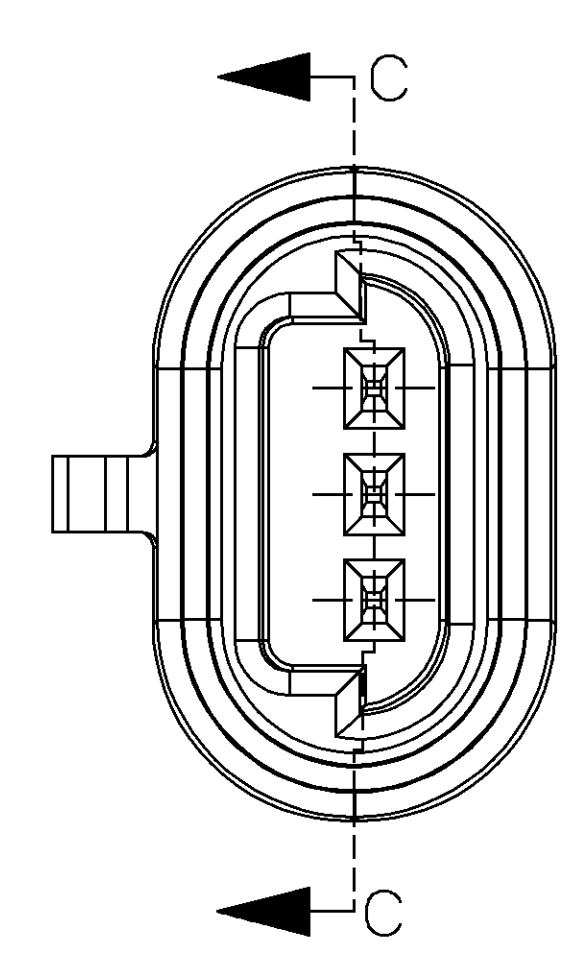
SECTION A-A

- NOTES:
- UNLESS OTHERWISE SPECIFIED AND/OR INDICATED: DIMENSIONS ARE TO FACE OF VIEW SHOWN AND AUTOMATICALLY ROUNDED BY COMPUTER FOR INSPECTION. (SEE MATH MODEL FOR PRECISE DIMENSION) FOR ALL OTHER DIMENSIONS NOT SHOWN BUT REQUIRED FOR TOOL BUILD, SEE MATH MODEL FOR PRECISE TOOL PATH DATA. ALL RADII 0.40 DRAFT 15 1° ON ALL OUTSIDE SURFACES
 - RECOMMENDED MATERIAL: GLASS REINFORCED NYLON OR POLYESTER



SECTION B-B

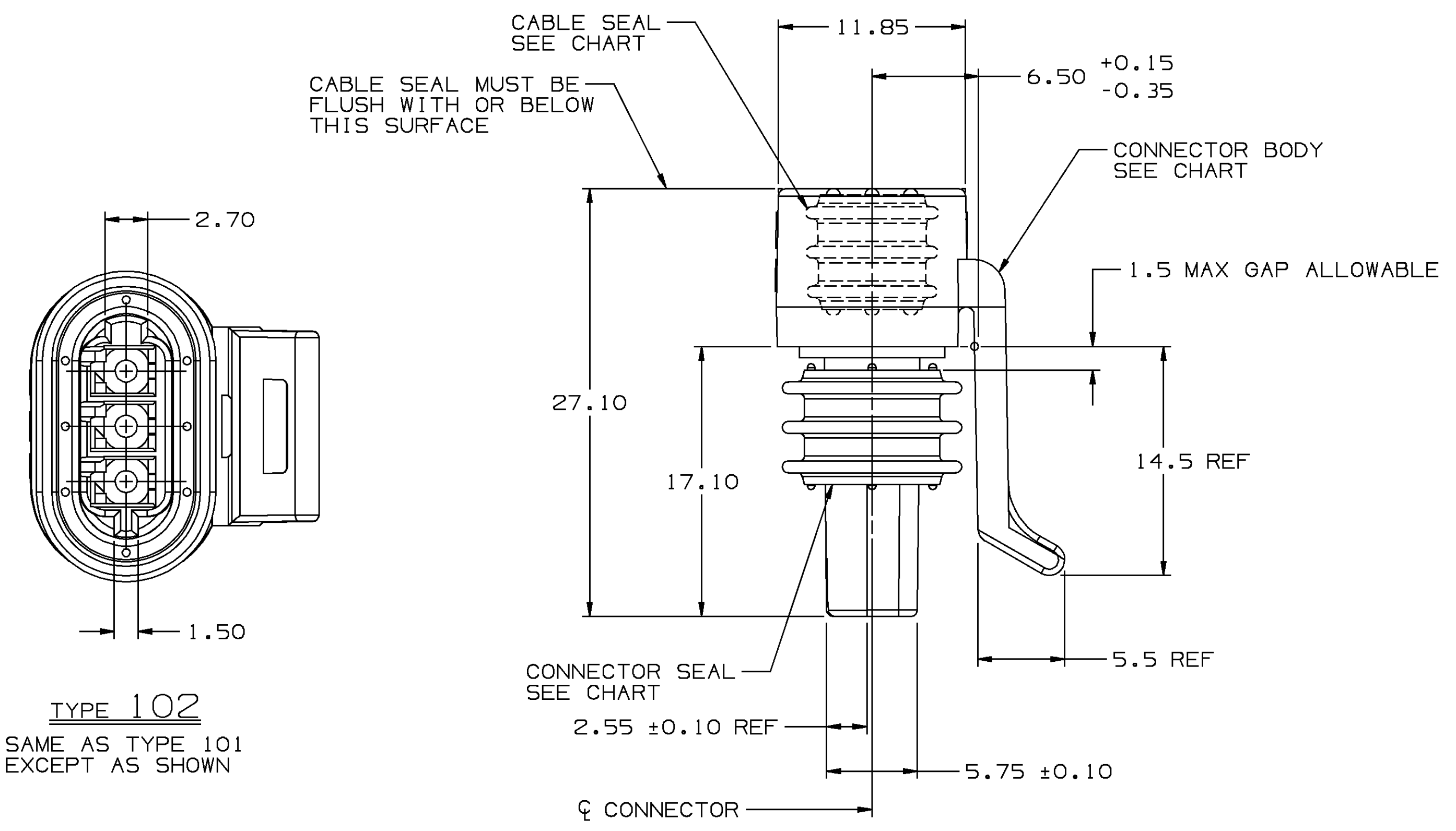
MATING CONNECTOR INFORMATION



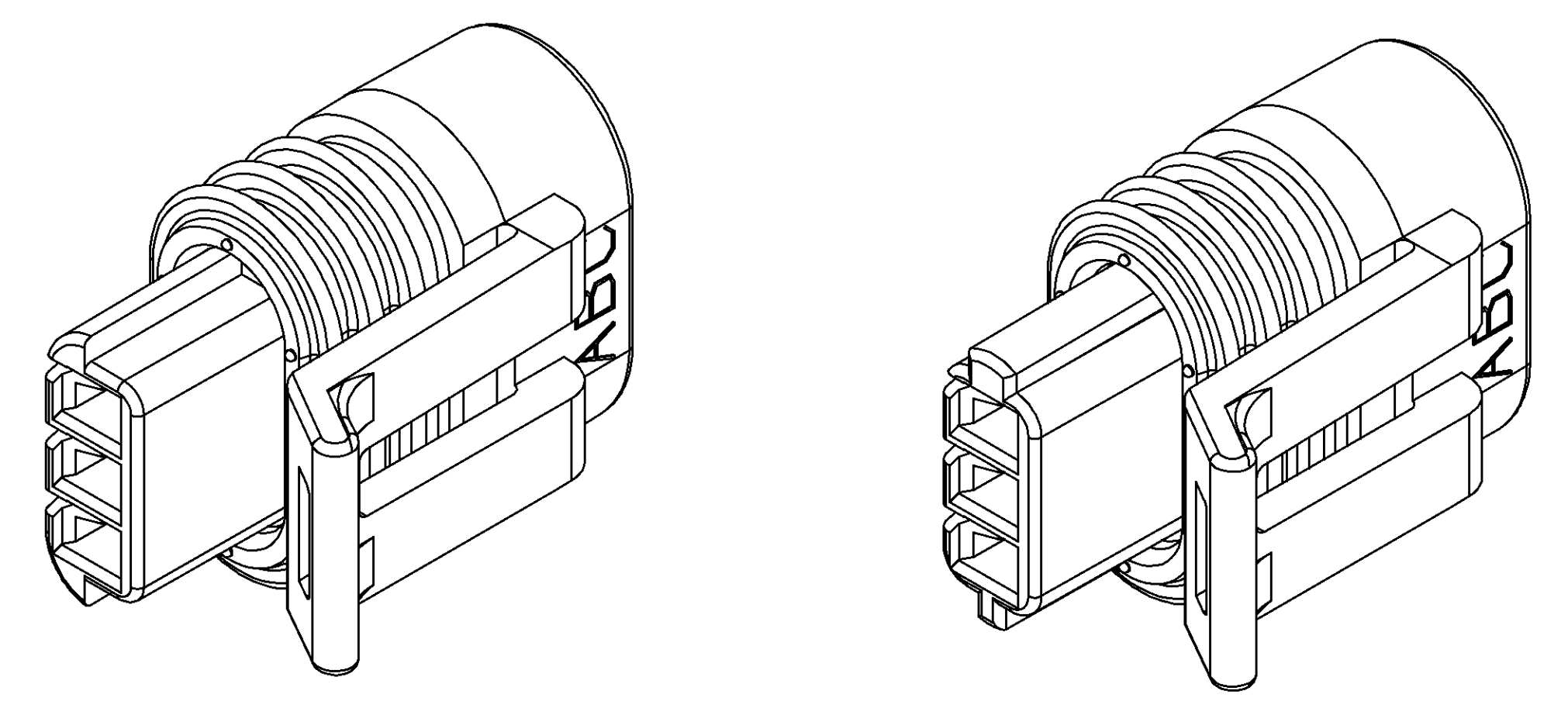
SECTION C-C

OPTIONAL MATING CONNECTOR INFORMATION
SAME AS ORIGINAL CONSTRUCTION EXCEPT AS SHOWN

GENERAL NOTE
 "C" DENOTES DIMENSIONS AND CHARACTERISTICS THAT ARE IMPORTANT TO THE FUNCTION AND/OR PROCESSING OF THE PART THAT HAVE SPECIAL ACCEPTANCE CRITERIA FOR PRODUCTION APPROVAL. THIS DRAWING HAS 17 SNOWCONES.

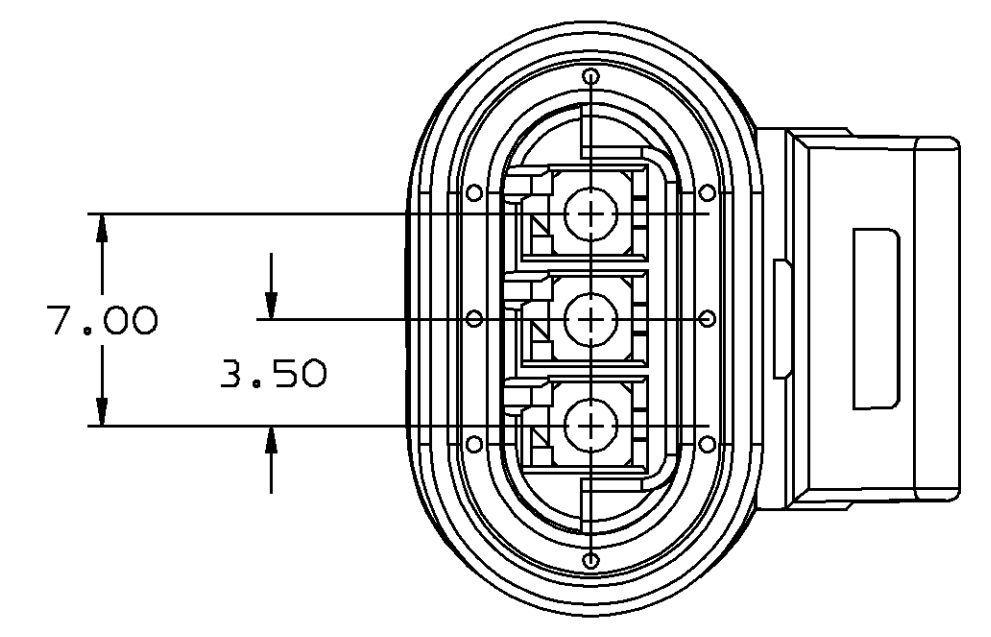
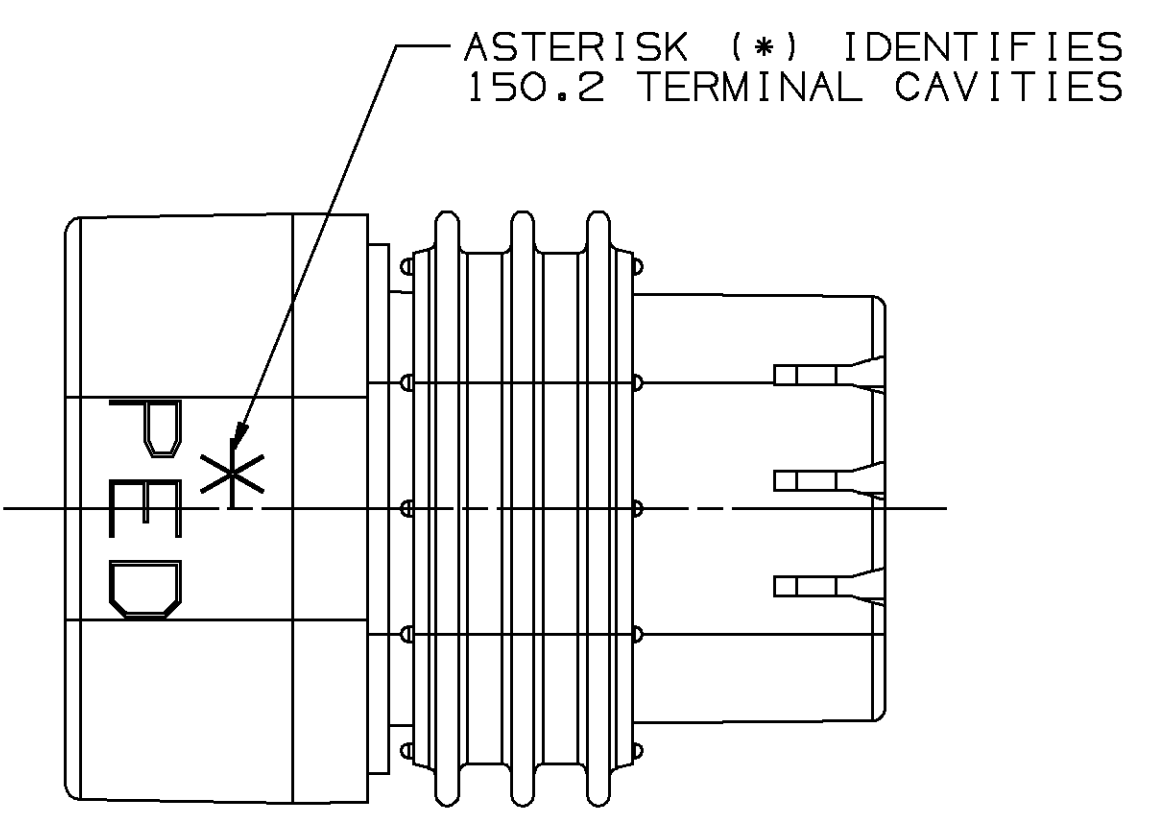


TYPE 102
SAME AS TYPE 101 EXCEPT AS SHOWN

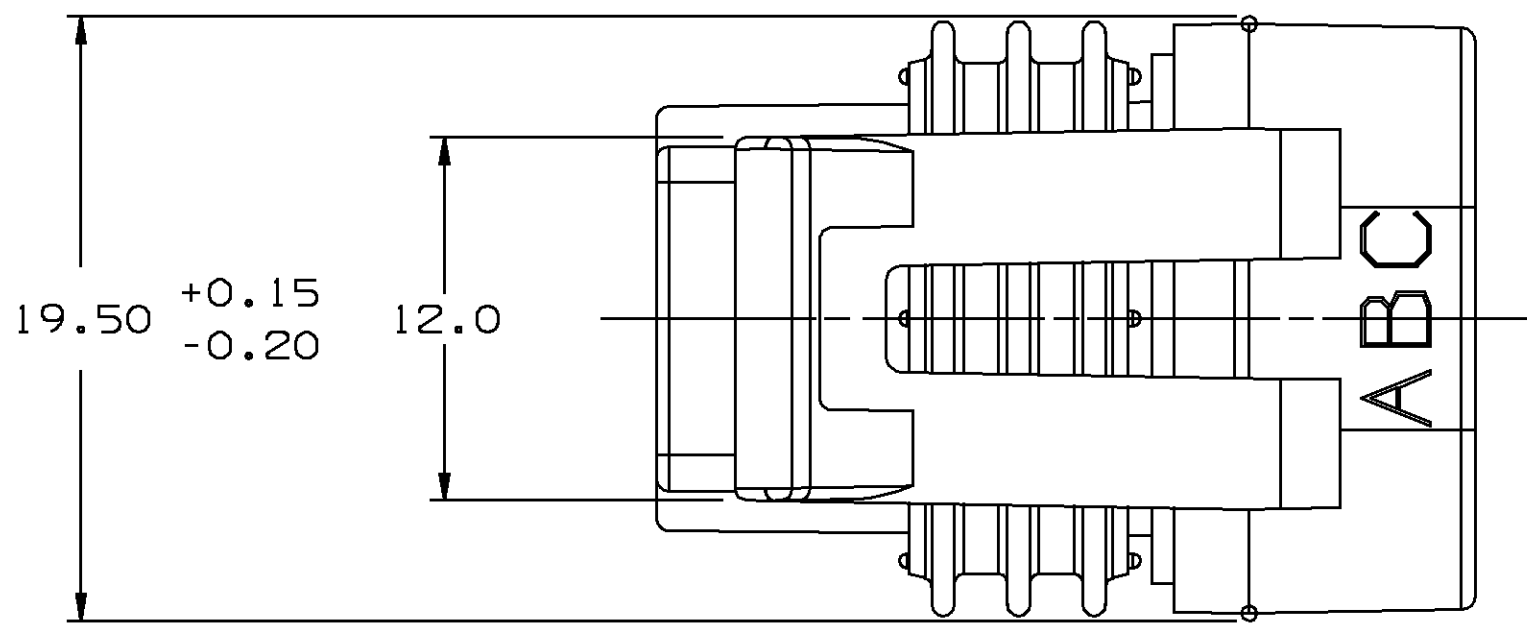


TYPE 101

TYPE 102
SAME AS TYPE 101 EXCEPT AS SHOWN



TYPE 101



P/N WITH ADHESIVE	REV	STATUS	P/N WITHOUT ADHESIVE	REV	STATUS	TYPE	CONNECTOR NO	CABLE SEAL NO	CONN SEAL NO	BLOCKED CAVITY
12186697	B		15339040	A		102	12162272	12092617	12047908	B
			12186831	A		102	12162272	12092862	12186824	NONE
			12162280	A		102	12162272	12047907	12047908	NONE
			12162279	A		102	12162272	12092862	12047908	NONE
			12162278	A		102	12162272	12092862	12110555	NONE
			12162186	A		101	12162181	12129090	12047908	NONE
			12162185	A		101	12162181	12092862	12047908	NONE
			12162184	A		101	12162181	12092617	12047908	B
			12162183	A		101	12162181	12059261	12047908	NONE
			12162182	A		101	12162181	12047907	12047908	NONE

- NOTES:
- CAVITIES TO ACCEPT 12124075 TERMINAL OR EQUIVALENT
 - FOR LEAD LENGTH CALCULATIONS DISTANCE FROM MATING END OF CONNECTOR TO FRONT OF CABLE CORE IS 8.60 ±1.55
 - WHEN PARTS ARE SHIPPED THEY MUST BE PACKED IN PLASTIC BAGS OR SHIPPING CONTAINERS MUST BE LINED WITH PLASTIC LINERS. BAGS OR LINERS MUST BE SEALED TO AVOID ENTRY OF FOREIGN MATTER
 - DIMENSIONS MARKED "REF" ARE FOR REFERENCE ONLY AND NO TOLERANCE LIMITS ARE ESTABLISHED
 - SEALING CODE 3
 DESIGN WILL PASS SALT FOG AND IMMERSION TEST AFTER CONDITIONING AS SPECIFIED IN ESA-644 (WEATHER-PACK), ESA-710 (METRI-PACK), ESA-650 (UNDERHOOD MICRO-PACK), C-4006 (WORLD CONNECTOR), ETC. - WHEN MATED TO MATING PART OR EQUIVALENT
 - FOR PART NUMBERS WITH ADHESIVE, USE PM003510 OR ADHESIVE APPROVED BY MATERIALS ENGINEERING TO GLUE CONNECTOR SEAL TO CONNECTOR
 - UNLESS OTHERWISE SPECIFIED AND/OR INDICATED: DIMENSIONS ARE TO FACE OF VIEW SHOWN AND AUTOMATICALLY ROUNDED BY COMPUTER FOR INSPECTION. (SEE MATH MODEL FOR PRECISE DIMENSION) FOR ALL OTHER DIMENSIONS NOT SHOWN BUT REQUIRED FOR TOOL BUILD, SEE MATH MODEL FOR PRECISE TOOL PATH DATA.

DATE	SYM	REVISION RECORD	AUTH	DR	CK
27JA94		ALL PARTS RELEASED TO			
		REV "A"			940005RPTLM
05AU96		12186697 - RELEASED TO			
		REV "A"			960005MRWTF
29ND96		ALL PARTS REVISED - NO REV UPDATE REQ'D			175027JHPYF
29ND96		12186831 RELEASED TO			
		REV "A"			960005JHPYF
29ND96		12186697 - 12186831 WAS			
		12162279 & 12186824 WAS			
		12047908 TO REV "B"			175470JHPYF
03AU98		15339040 - RELEASED TO			
		REV "A"			980005KCLKC

PART NO
1216 2266

PART NO
1216 2266

DRAWING TYPE	OTHER DRAWINGS AVAILABLE
DETAIL/CPAD/PID	
Ugraphics II	METRIC
THIRD ANGLE PROJECTION	DIMENSIONS ARE IN MILLIMETERS UNLESS OTHERWISE SPECIFIED
	TOLERANCE UNLESS OTHERWISE SPECIFIED DECIMAL ANGLE ARE 2°
CODE NO	ONE PLACE ±0.3
QC	TWO PLACE ±0.15
6900 -C-5110	DES R. PINA
DRW DATE	27JA94
DR R. PINA	27JA94
SCALE	4:1
CK T. MUDREY	08FE94
REFERENCE NO	APPR S.J. VUKMER
	16FE94
	VOL CM 3
MATERIAL SPEC	SEE CHART
NAME	ASM CONN F/M/P 150.2 P25
PART NUMBER	1216 2266
SIZE	A0