

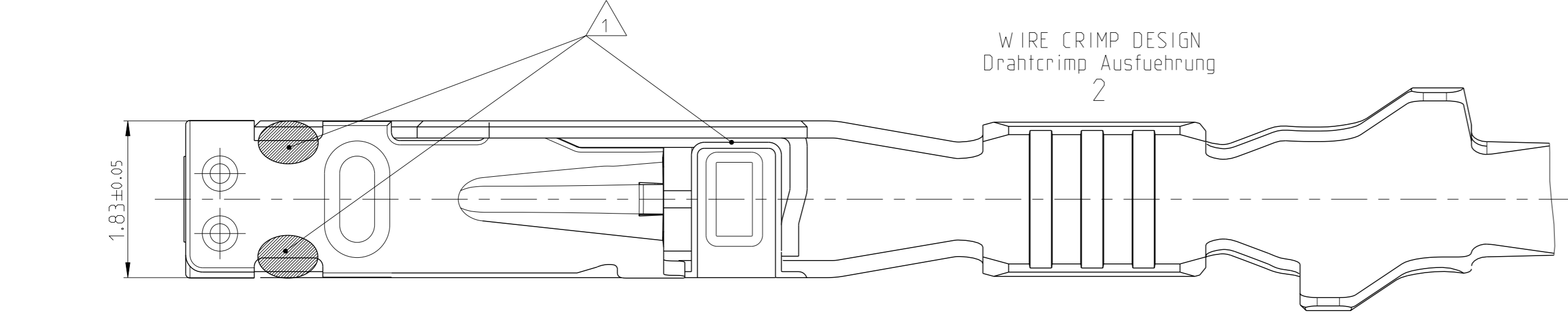
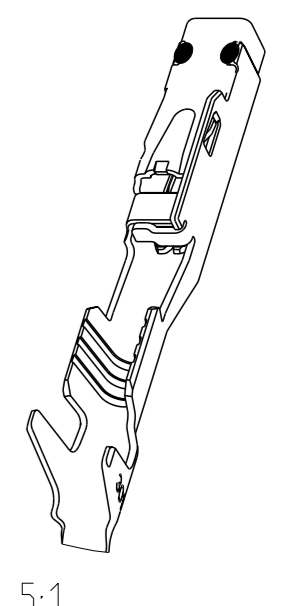
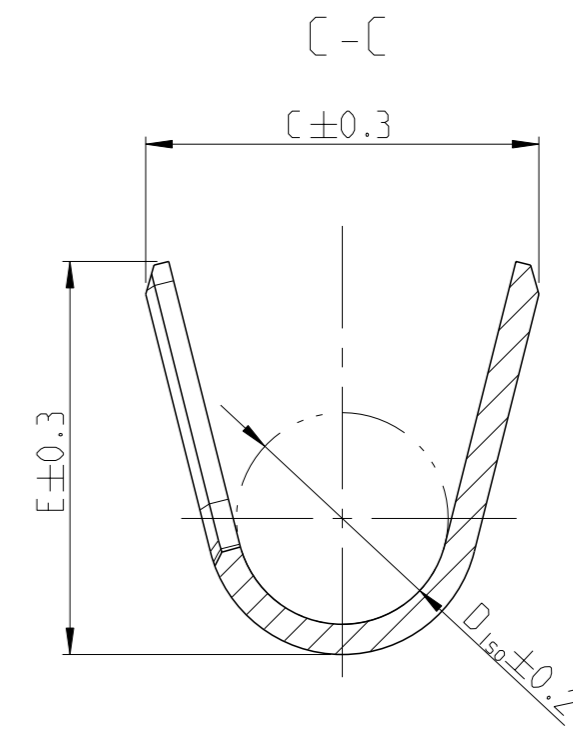
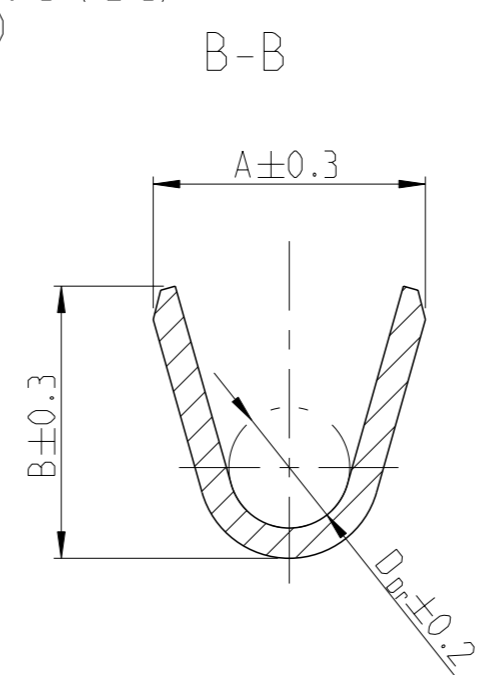
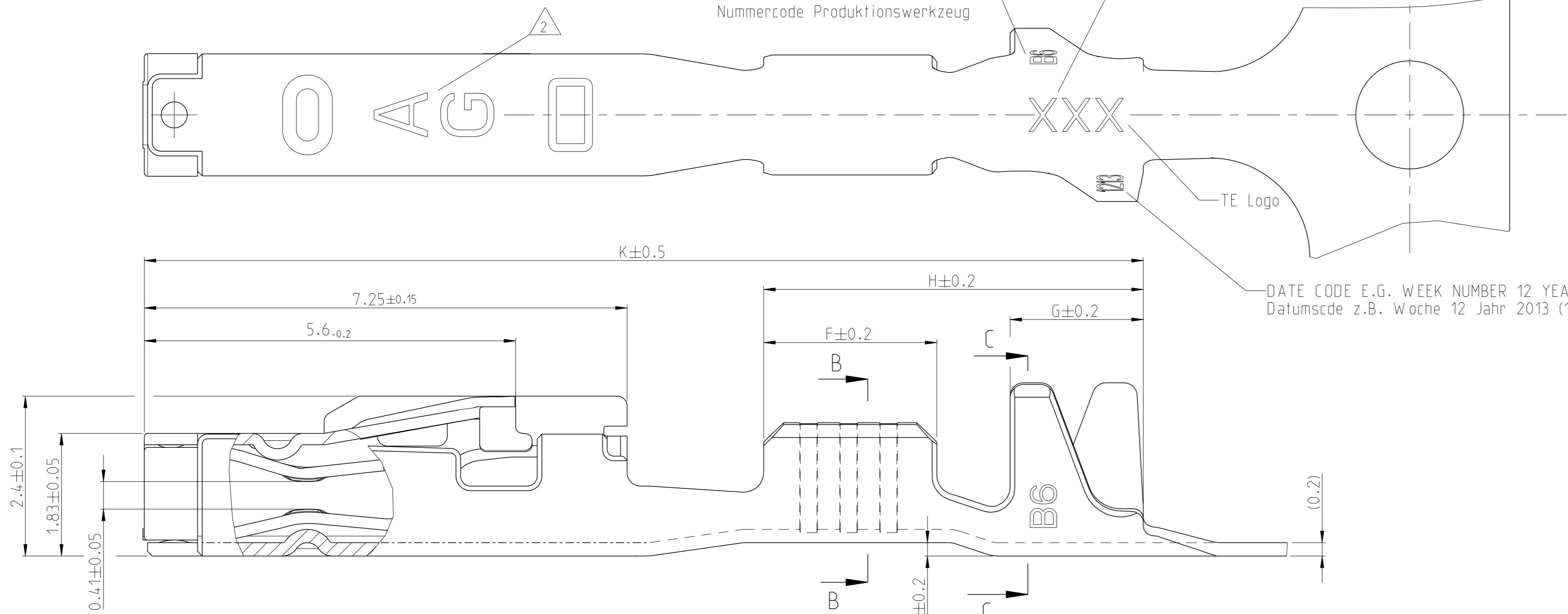
Project No. PRJ-11-000001417	Loc A1	DIST -	REVISIONS			
#	CT#	DESCRIPTION	DATE	OWN	APVD	
C4		PN 2141861 and 2141970 active ECR-14-001724	06FEB2014	Abr	Raab	
C5		ECR-14-008680 CANCELED	12JUN2014	Abr	Raab	
C6		Name Changed to MCON 1.2 LL ECR-14-012725	25AUG2014	Abr	Raab	
C7		See PCN E-17-018644	21DEC2017	FRAN	KURF	

REVISION Aenderungsstand /  
NUMBER CODE PRODUCTION TOOL  
Nummercode Produktionswerkzeug

MANUFACTURING LOCATION CODE  
Kennzahl Produktionsstandort

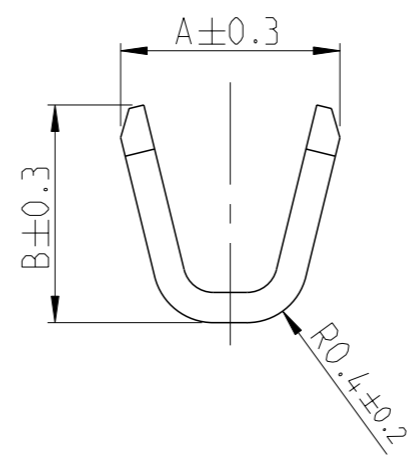
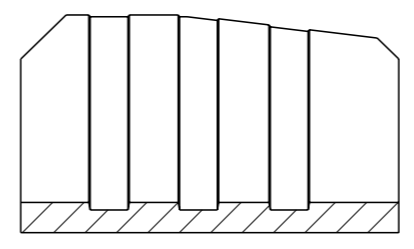
DATE CODE E.G. WEEK NUMBER 12 YEAR 2013 (1213)  
Datumscode z.B. Woche 12 Jahr 2013 (1213)

STANDARD APPLICATION  
Standard Anwendung

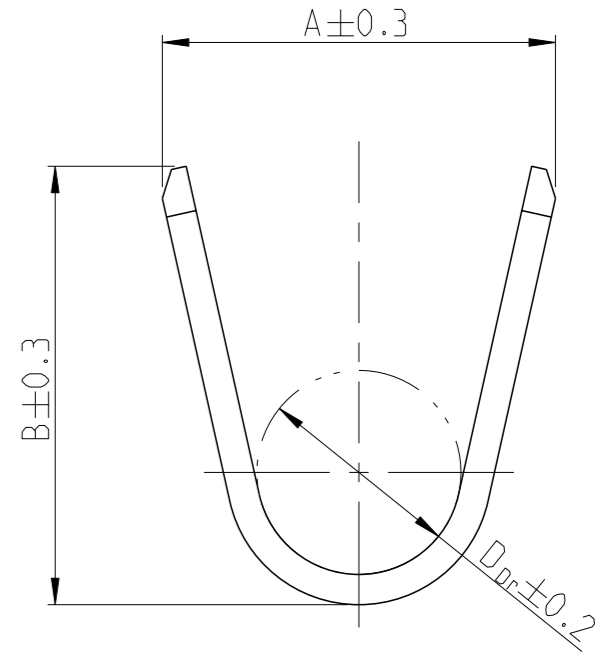
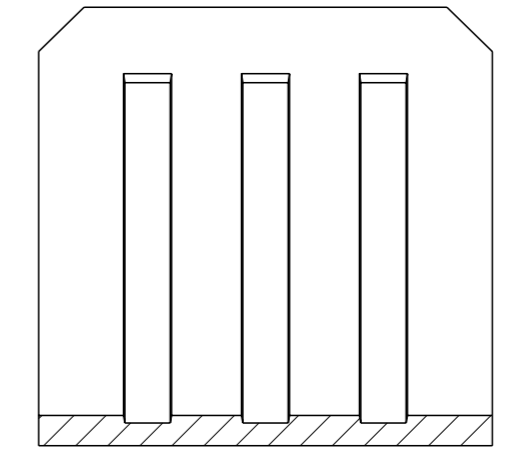


WIRE CRIMP DESIGN  
Drahtcrimp Ausfuehrung  
2

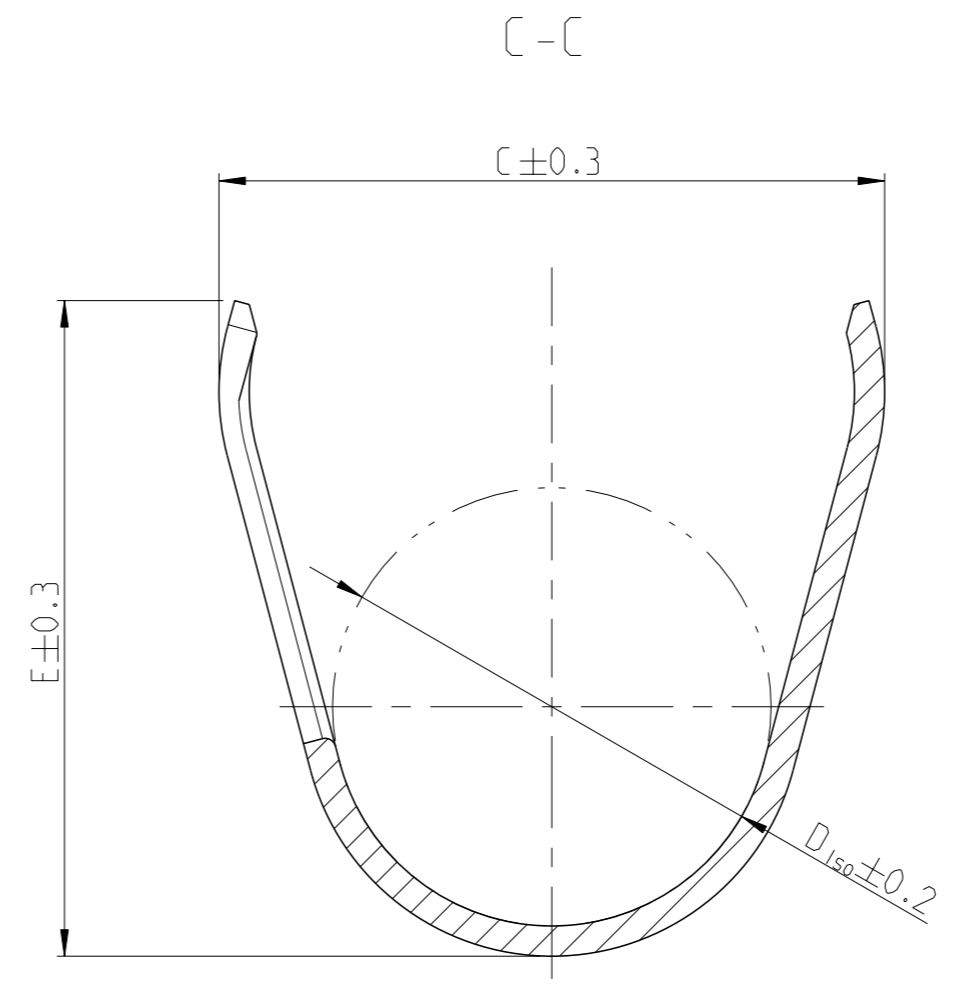
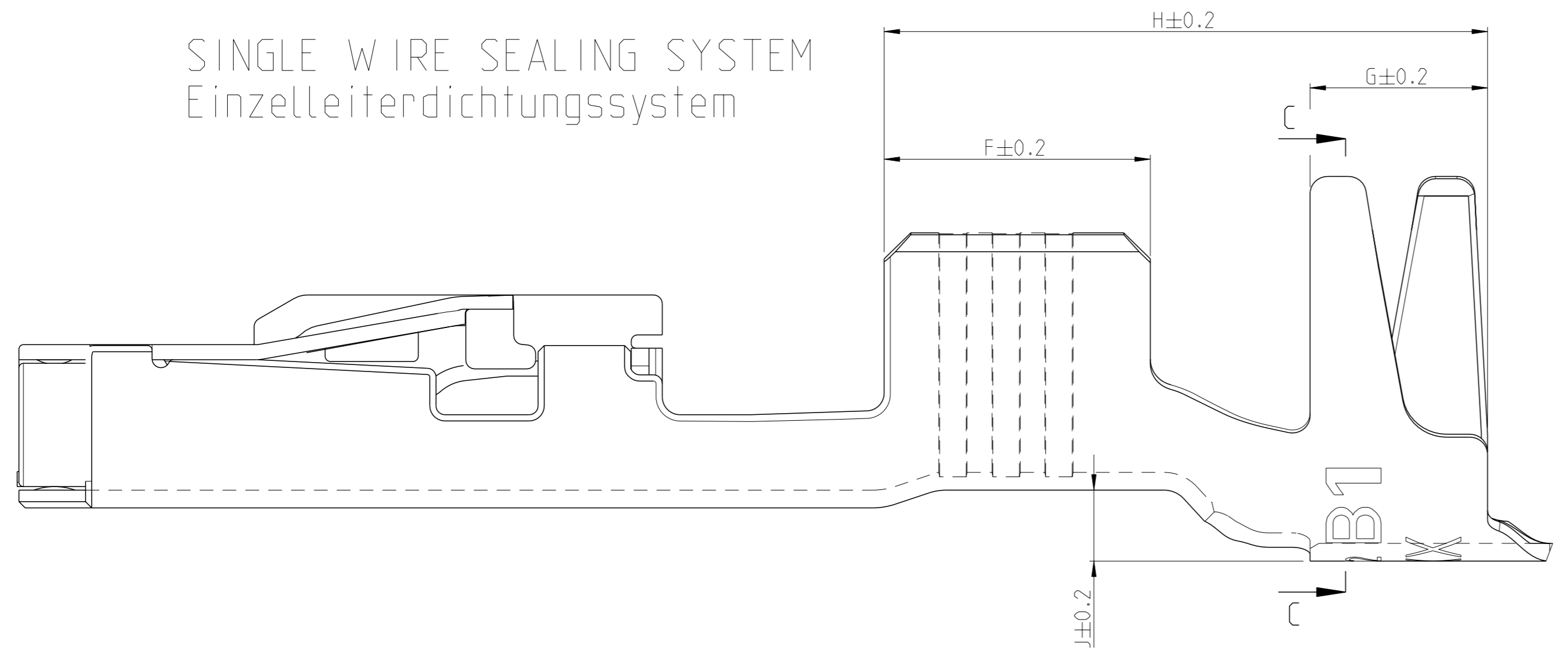
WIRE CRIMP DESIGN  
Drahtcrimp Ausfuehrung  
1



WIRE CRIMP DESIGN  
Drahtcrimp Ausfuehrung  
3



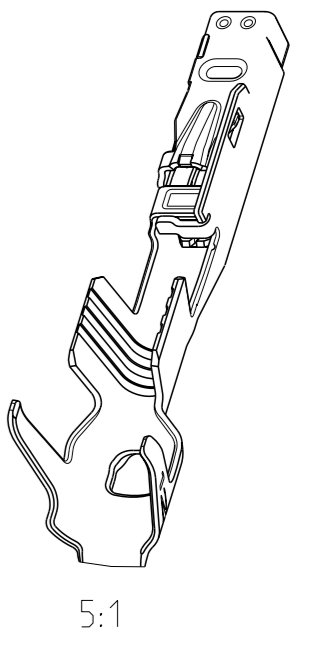
SINGLE WIRE SEALING SYSTEM  
Einzelleiterdichtungssystem



NOTES  
Bemerkungen

- 1 LASER WELDED  
Lasergeschweisst
- 2 STAMPED INDICATOR FOR PLATING:  
- AU GOLD PLATING  
- AG SILVER PLATING  
- TIN PLATING WITHOUT INDICATOR  
Markierung fuer galvanische Ausfuehrung:  
- AU vergoldet  
- AG versilbert  
- verzinkt: ohne Markierung

- 3 TO BE USED ON TAB  
1.2±0.1 x 0.6±0.03 MM  
geeignet fuer Flachstecker  
1.2±0.1 x 0.6±0.03 mm



THIS DRAWING IS A CONTROLLED DOCUMENT.		OWN E. Horn	11NOV2011		TE Connectivity
DIMENSIONS: mm		CHK R. Meier	11NOV2011		NAME MCON 1.2 LL (LOCKING-LANCE)
TOLERANCES UNLESS OTHERWISE SPECIFIED: ±0.2		APVD V. Seigel	11NOV2011	SIZE 108-18782	RESTRICTED TO
MATERIAL		FINISH		APPLICATION SPEC 114-18464	SCALE 20:1
WEIGHT 0.18 g		Customer Drawing		REVISION A1 00779 ©=1452674	SHEET 1 of 2
REV 7		SCALE 20:1		REV 7	

LOC	DIST	REVISIONS			
A1	-	REV	DATE	OWN	APVD
		1	SEE SHEET 1	-	-

VERSION / Ausführung	REV.	RANGE Bereich	INSULATION-Ø Isolations-durchmesser (mm)	AWG	mm <sup>2</sup>	BODY Kontakt-körper	SPRING Kontakt-feder	BODY Kontakt-körper	SPRING Kontakt-feder	DESIGN WIRE-CRIMP Ausführung Draht-Crimp	SINGLE WIRE SEAL FOR CAVITY DIAMETER											BLINDPLUG ORDER NO. Blindstopfen Bestell-Nr.	APPLICATION TOOLS Verarbeitungswerkzeuge	
											A	B	D <sub>Dr</sub>	C	E	D <sub>ISO</sub>	F	G	H	J	K			
STANDARD APPLICATION Standardanwendung	2141970-3	A	0.13-	0.95-	-	0.13	CuSn4	CuNiSi	8	7	1	1.5	1.4	-	4.0	3.9	2.6	2.5	1.9	6.2	0.6	16	SEE APPLICATION SPEC. 114-18464 siehe Verarbeitungsspez. 114-18464	
	2141970-2	A	0.22	0.95-	-	0.17				6														
	2141970-1	A	9	1.2	-	0.22				5														
	7-1452665-3	A	0.25-	1.1-	24	-				7														
	7-1452665-2	A	0.35	1.75	-	0.35				6														
	7-1452665-1	A	0.35	1.75	22	-				5														
	7-1452668-3	A	0.5-	1.4-	20	0.5				7														
	7-1452668-2	A	0.75	1.9	-	0.75				6														
	7-1452668-1	A	0.75	1.9	-	0.75				5														
	7-1452671-3	A	1-	1.9-	18	-				7														
	7-1452671-2	A	1.5	2.4	-	1				6														
	7-1452671-1	A	1.5	2.4	-	1.5				5														
STANDARD APPLICATION Standardanwendung	2141861-3	A	0.13-	0.95-	-	0.13	CuSn4	CuNiSi	8	7	1	1.5	1.4	-	2.0	1.9	1.1	2.5	1.7	5.4	0	15	SEE APPLICATION SPEC. 114-18464 siehe Verarbeitungsspez. 114-18464	
	2141861-2	A	0.22	0.95-	-	0.17				6														
	2141861-1	A	9	1.2	-	0.22				5														
	7-1452653-3	A	0.25-	1.1-	24	-				7														
	7-1452653-2	A	0.35	1.75	-	0.35				6														
	7-1452653-1	A	0.35	1.75	22	-				5														
	7-1452656-3	A	0.5-	1.4-	20	0.5				7														
	7-1452656-2	A	0.75	1.9	-	0.75				6														
	7-1452656-1	A	0.75	1.9	-	0.75				5														
	7-1452659-3	A	1-	1.9-	18	-				7														
	7-1452659-2	A	1.5	2.4	-	1				6														
	7-1452659-1	A	1.5	2.4	-	1.5				5														


## 7- VARIANTS FOR NEW APPLICATIONS

- NOTES  
Bemerkungen
- 4 ONLY FOR FLR-WIRE SEE DIN 72551, PART 6 AND AWG WIRE ACCORDING DC-SPEC: MS-8288 ; MS-7889 ; MS-9532  
Nur fuer FLR-Leitung nach DIN 72551, Teil 6 und AWG Leitung nach DC-SPEC: MS-8288 ; MS-7889 ; MS-9532
  - 5 PRE TIN SnAg 1.0 TO 3.0µm  
Vorverzinkt SnAg 1.0 bis 3.0µm
  - 6 SPRING GOLD PLATED MIN. 0.8µm (only contact area)  
Kontaktfeder galv. vergoldet min.0.8µm (nur Kontaktzone)
  - 7 SPRING SILVER PLATED 2.0 TO 5.0µm (only contact area)  
Kontaktfeder galv. versilbert 2.0 bis 5.0µm (nur Kontaktzone)
  - 8 BODY PRE TIN Sn 1.0 TO 3.0µm  
Kontaktkoerper vorverzinkt Sn 1.0 bis 3.0µm
  - 9 REINFORCED WIRE ACCORDING TO LV 112-4  
Zugverstaerkte Leitung nach LV 112-4

VERSION / Ausführung	REV.	RANGE Bereich	INSULATION-Ø Isolations-durchmesser (mm)	AWG	mm <sup>2</sup>	BODY Kontakt-körper	SPRING Kontakt-feder	BODY Kontakt-körper	SPRING Kontakt-feder	DESIGN WIRE-CRIMP Ausführung Draht-Crimp	SINGLE WIRE SEAL FOR CAVITY DIAMETER											BLINDPLUG ORDER NO. Blindstopfen Bestell-Nr.	APPLICATION TOOLS Verarbeitungswerkzeuge		
											A	B	D <sub>Dr</sub>	C	E	D <sub>ISO</sub>	F	G	H	J	K				
STANDARD APPLICATION Standardanwendung	0-1452665-3	B	0.25-	1.1-	24	-	0.25	CuSn0.15/0.2	CuNiSi	5	7	2	1.8	1.8	0.8	4.2	4.3	2.6	2.6	2.0	6.4	0.8	16	SEE APPLICATION SPEC. 114-18464 siehe Verarbeitungsspez. 114-18464	
	0-1452665-2	B	0.35	1.75	-	0.35	6																		
	0-1452665-1	B	0.35	1.75	22	-	5																		
	0-1452668-3	C	0.5-	1.4-	20	0.5	7																		
	0-1452668-2	C	0.75	1.9	-	0.75	6																		
	0-1452668-1	C	0.75	1.9	-	0.75	5																		
	0-1452671-3	B	1-	1.9-	18	-	7																		
	0-1452671-2	B	1.5	2.4	-	1	6																		
	0-1452671-1	B	1.5	2.4	-	1.5	5																		
	0-1452653-3	B	0.25-	1.1-	24	-	0.25				7														
	0-1452653-2	B	0.35	1.75	-	0.35	6																		
	0-1452653-1	B	0.35	1.75	22	-	5																		
0-1452656-3	C	0.5-	1.4-	20	0.5	7																			
0-1452656-2	C	0.75	1.9	-	0.75	6																			
0-1452656-1	C	0.75	1.9	-	0.75	5																			
0-1452659-3	B	1-	1.9-	18	-	7																			
0-1452659-2	B	1.5	2.4	-	1	6																			
0-1452659-1	B	1.5	2.4	-	1.5	5																			

## 0- VARIANTS SUPERSEDED BY 7- VARIANTS (SEE TABLE ON TOP)

THIS DRAWING IS A CONTROLLED DOCUMENT.

OWN: E. Horn	11NOV2011	 TE Connectivity NAME: MCON 1.2 LL (LOCKING-LANCE)
CHK: R. Meier	11NOV2011	
APVD: V. Seigel	11NOV2011	
PRODUCT SPEC: 108-18782	APPLICATION SPEC: 114-18464	
MATERIAL: -	WEIGHT: -	Customer Drawing

Customer Drawing