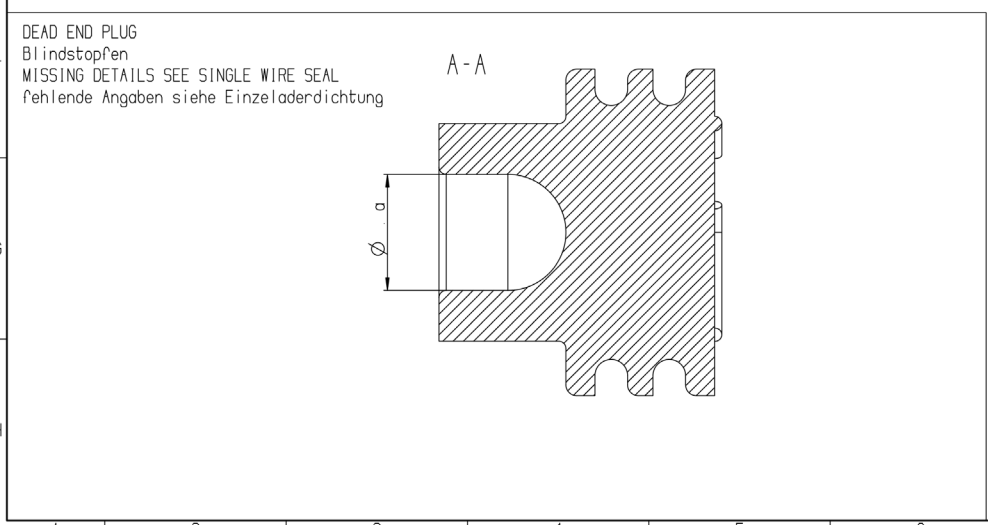
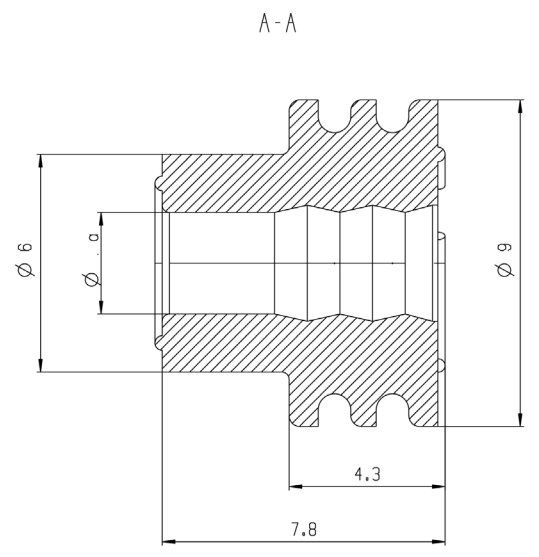
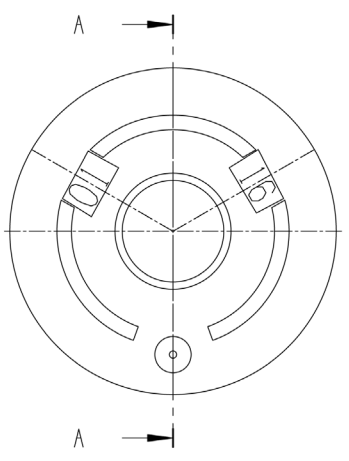


ORDER-NUMBER Bestell-Nummer	DESIGNATION Benennung	INSULATION DIAMETER Isolationsdurchmesser [mm]	WIRE CROSS SECTION Leiterquerschnitt [mm ²]	MATERIAL Werkstoff	COLOR Farbe	a
-	SINGLE WIRE SEAL Einzeladerdichtung	∅ 2.0 - ∅ 2.7 (FLR)	1.5	SILICON SHORE A 48° ± 4 Silikon Shore A 48° ± 4	WHITE weiss	1.6
-	SINGLE WIRE SEAL Einzeladerdichtung	∅ 2.7 - ∅ 2.9 (FLR)	2.5		REDDISH-BROWN rotbraun	2.2
1 928 301 086	SINGLE WIRE SEAL Einzeladerdichtung	∅ 3.4 - ∅ 3.7 (FLR)	4.0		BLUE blau	2.8
⑥ 1 928 301 695	SINGLE WIRE SEAL Einzeladerdichtung	∅ 4.0 - ∅ 4.5 (FLR)	> 4.0 - 6.0		GREEN gruen	3.2
1 928 301 208	DEAD END PLUG Blindstopfen	-	-		BLACK schwarz	3.2



FOR CAVITY-DIAMETER 8.5 mm
fuer Kammerdurchmesser 8.5 mm

⑥

general tolerances for/Allgemeintoleranzen fuer		
lin. dim./L-masse	radii/Radien	angles/Winkel
±0.3mm	±0.3mm	±5°
all linear dimensions in/ Alle Längenmasse in		
mm		
drawing standard/ Zeichnungsstandard		ISO Standard

06	MODIFIED	20150518	vbd5kor	slt4kor	kat1alc	2130	GS-AM/ENC	NX MIGRATION	
05	F1928301208	20080612	Fr	Pp	.	2130	GS-AM/ENC	.	
04	CORRECTED	20080401	Fr	Pp	.	2130	GS-AM/ENC	.	
03	F1928301086	20070226	Fr	Pp	.	2130	GS-AM/ENC	.	
Ind.	Change/Änd.	YYYYMMDD	Drawn/Gez.	Checked/Gepr.	Released/Freig.	BWN	Resp. dept./Verantw. Abt.	Add. info./Zus. Info.	
Lang./Spr.	Syst.	Wght./Gew.	SINGLE-WIRE SEAL EINZELADERDICHTUNG						Sheet/Bl.
en/de	UG	UG	Doc. type AGZ						1 / 1
Scale/Verst.	Scale/W.stab	10:1	OFFER DRAWING ANGEBOTSZEICHN.						Ind. Format
MNR	Repl. for	1 928 A00 431	09/10	Ind.	Format	001	06	A2	

© Bosch Power Tools. All rights reserved, other regarding liability, as well as in the event of applications for industrial property rights.

© Bosch Power Tools. All rights reserved, other regarding liability, as well as in the event of applications for industrial property rights.