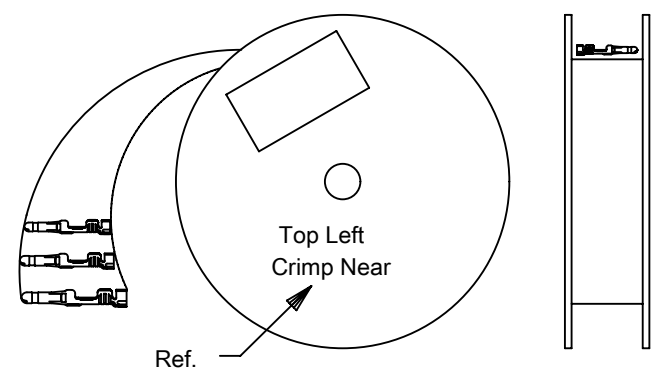
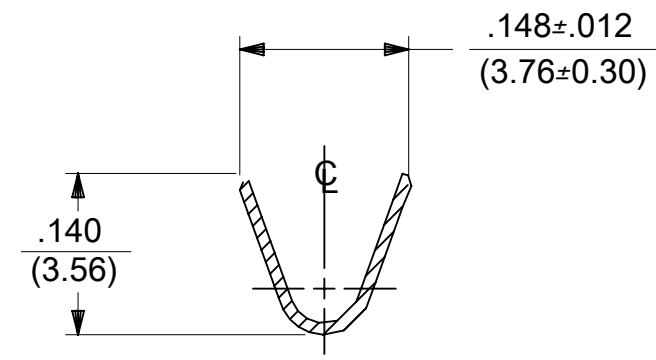
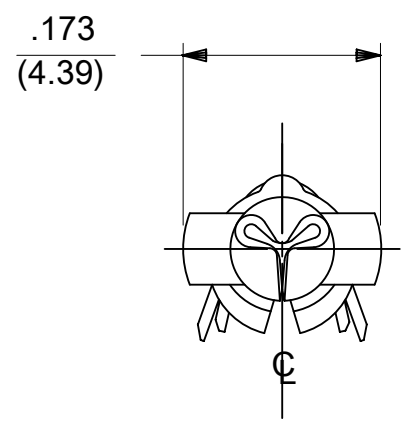


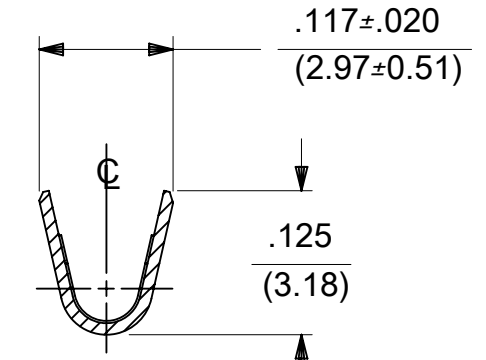
PART NO.	ENG. NO.
02-09-2118	1380-(P901)L
02-09-2116	1380-(P901)
02-09-6123	1380-(550)L
02-09-6122	1380-(550)
02-09-2119	1380-A(P901)L



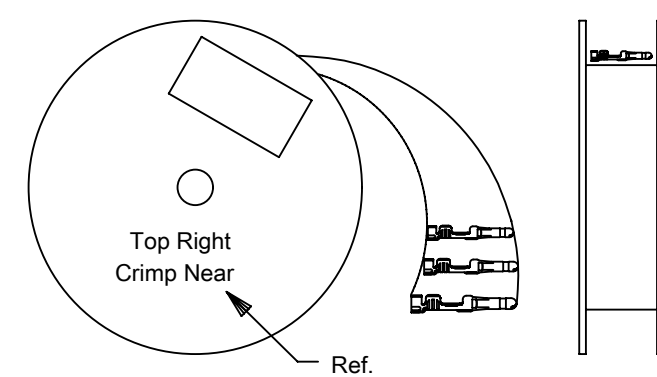
REWOUND CHAIN



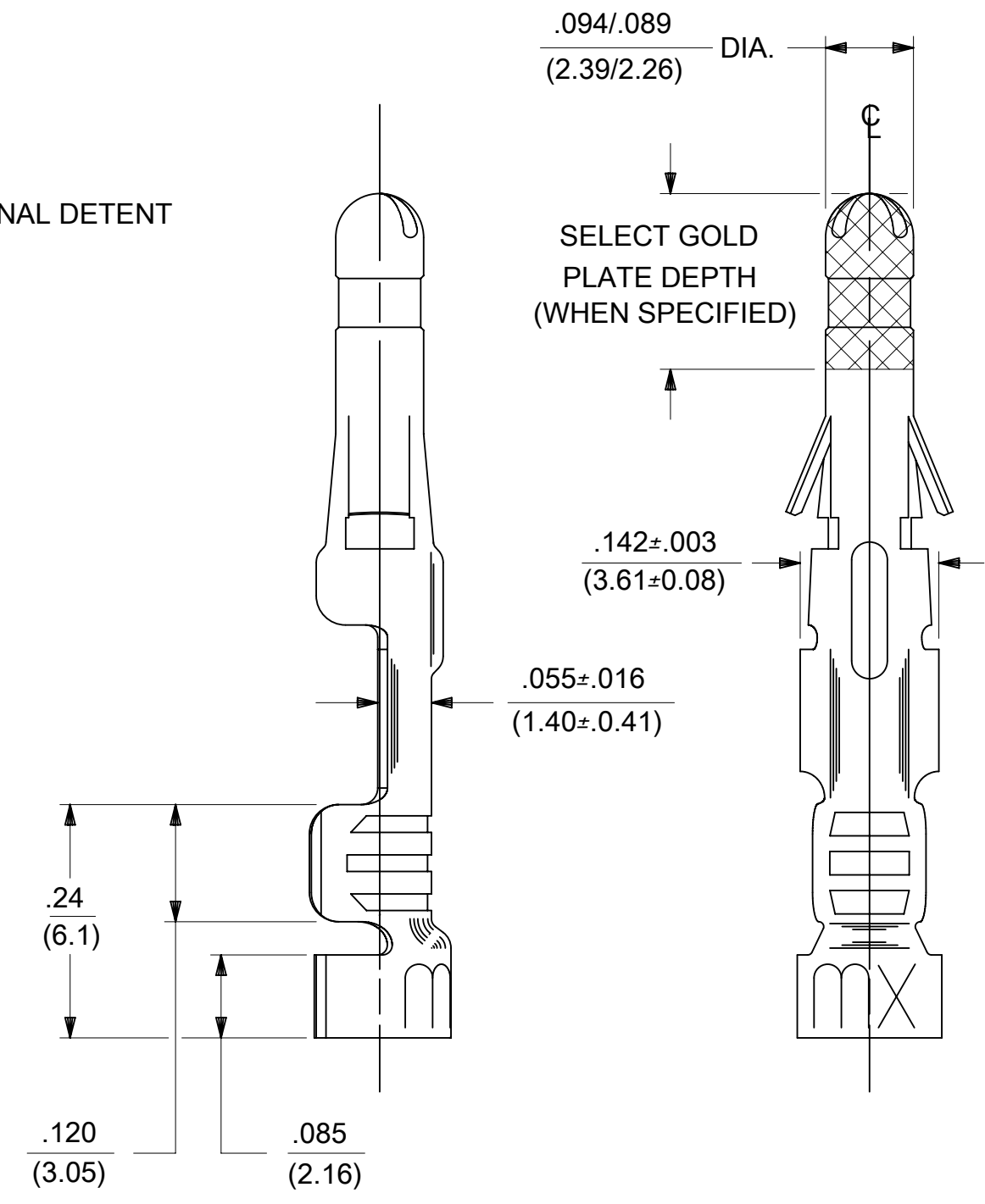
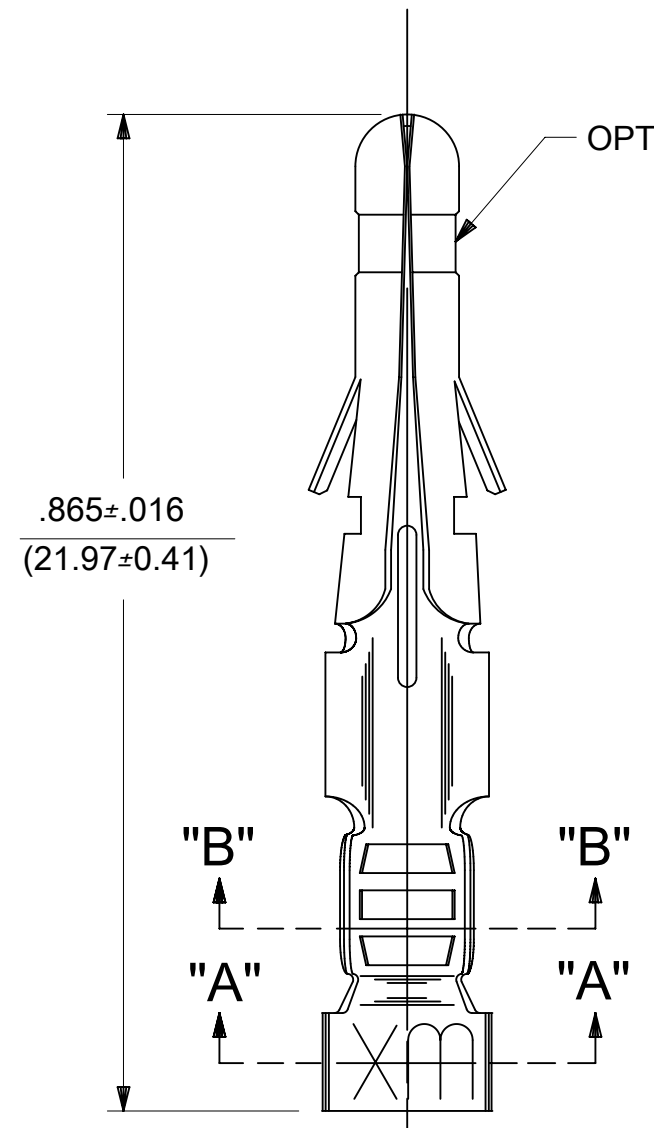
SECT. "A-A"



SECT. "B-B"



STANDARD CHAIN



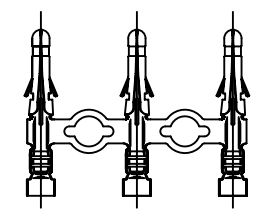
**LEGEND**  
1380-\*(\*\*\*\*)\*

- OPTIONAL DETENT
- BLANK = WITH DETENT
- A = WITHOUT DETENT
- P = PREPLATE
- BLANK = POSTPLATE
- FORM
- BLANK = STD. CHAIN
- A = REWOUND CHAIN
- L = LOOSE
- 1 = STD. CHAIN WITH INTERLEAF PAPER
- FINISH CODE (SEE NOTE 2)

NOTES:

1. MATERIAL: BRASS
2. FINISH:
  - 999 UNPLATED
  - 901 HOT TIN DIP .000020/(0.00051) MIN.
  - 591 SELECT GOLD PLATE .000050/(0.00127) MIN. IN CONTACT AREA, OVER .000050/(0.00127) MIN. NICKEL OVERALL WITH .000010/(0.00025) MAX. GOLD FLASH OVERALL.
  - 550 SELECT GOLD PLATE .000015/(0.00038) MIN. IN CONTACT AREA, OVER .000030/(0.00076) MIN. NICKEL OVERALL WITH .000010/(0.00025) MAX. GOLD FLASH OVERALL.
3. PRODUCT SPECIFICATION: PS-02-09.
4. PACKAGING INFORMATION: NOT AVAILABLE
5. TERMINAL FOR USE WITH .093/(2.36) SERIES HOUSINGS AND WILL ACCEPT 18 THRU 22 AWG
6. INSERTION FORCE: 3.5 LBS. MAX. WHEN TERMINAL IS INSERTED INTO AN .093 SERIES HOUSING.
7. TERMINAL RETENTION: 20 LBS. MIN. FROM HOUSING.

CHAIN FORM  
FULL SCALE



THIS DRAWING CONTAINS INFORMATION THAT IS PROPRIETARY TO MOLEX ELECTRONIC TECHNOLOGIES, LLC AND SHOULD NOT BE USED WITHOUT WRITTEN PERMISSION									
DIMENSION UNITS		SCALE		CURRENT REV DESC: OBSOLETE PART NUMBER					
IN/MM		6:1		<p><b>molex</b></p> <p>CRIMP TERMINAL .093 DIA., MALE FOR 18 THRU 22 AWG. WIRE</p> <p>PRODUCT CUSTOMER DRAWING</p> <p>DOCUMENT NUMBER: <b>SD-1380-X</b>   DOC TYPE: PSD   DOC PART: 001   REVISION: BW</p> <p>MATERIAL NUMBER: SEE TABLE   CUSTOMER: GENERAL MARKET   SHEET NUMBER: 1 OF 1</p>					
GENERAL TOLERANCES (UNLESS SPECIFIED)									
	MM	INCH							
4 PLACES	±	±							
3 PLACES	±	±	0.01						
2 PLACES	±	0.25	± 0.14						
1 PLACE	±	0.35	±						
0 PLACES	±	±							
ANGULAR TOL ± 0.5 °				<p>EC NO: 637127</p> <p>DRWN: AKUMAR19 2020/05/07</p> <p>CHK'D: GGA 2020/05/15</p> <p>APPR: GGA 2020/05/15</p> <p>INITIAL REVISION:</p> <p>DRWN: GEP 1987/11/06</p> <p>APPR: RAS 1987/11/06</p>					
DRAFT WHERE APPLICABLE MUST REMAIN WITHIN DIMENSIONS				THIRD ANGLE PROJECTION		DRAWING		SERIES	
				C-SIZE		1380			