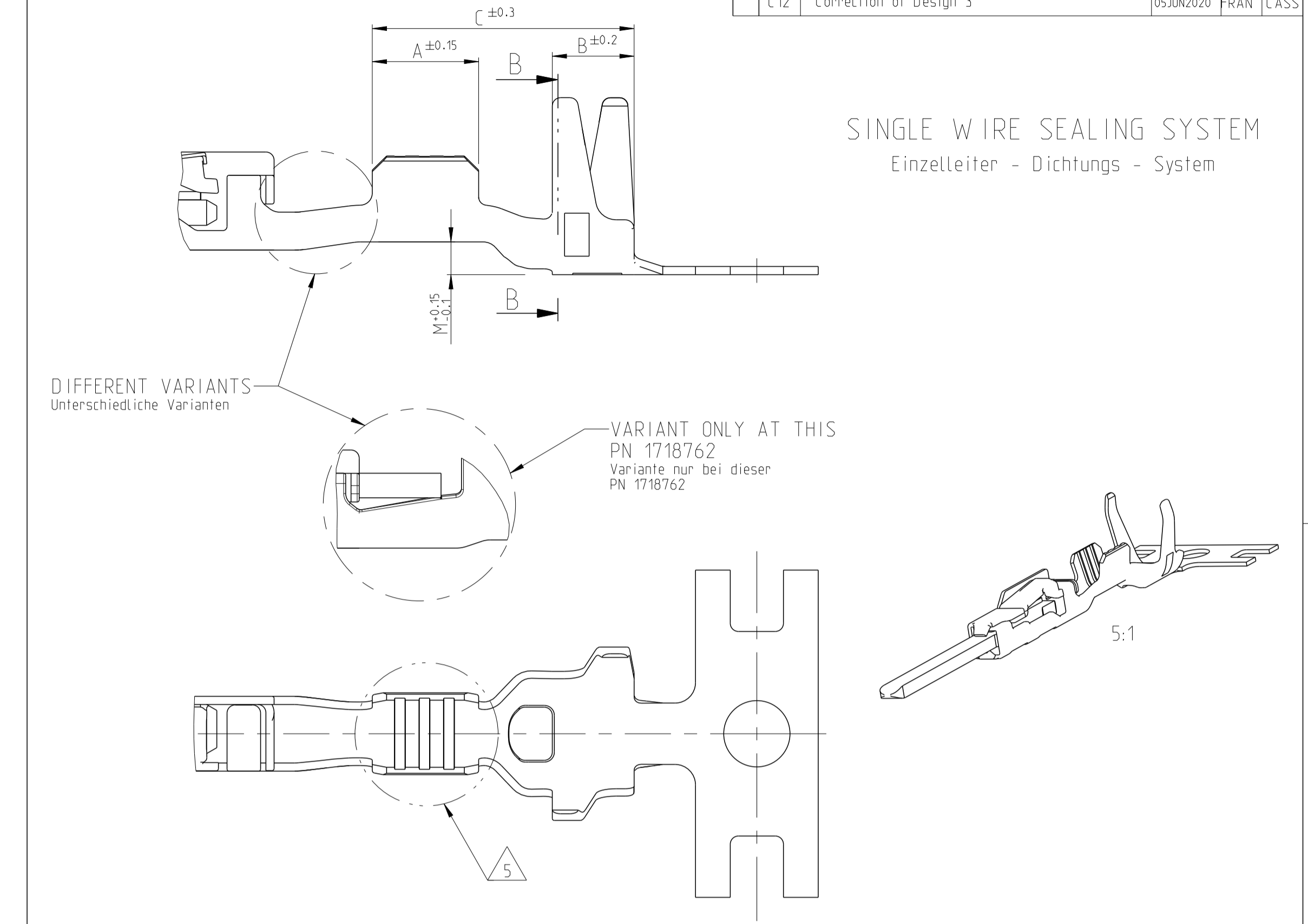
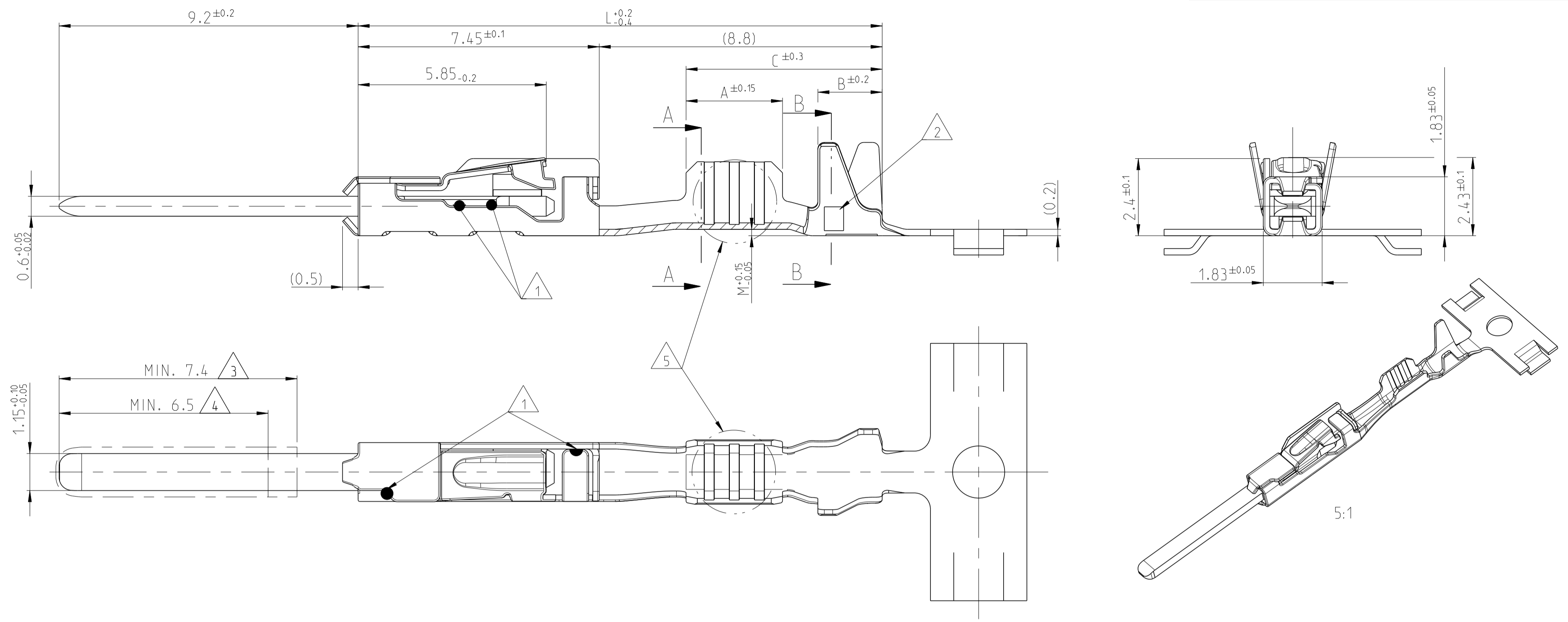


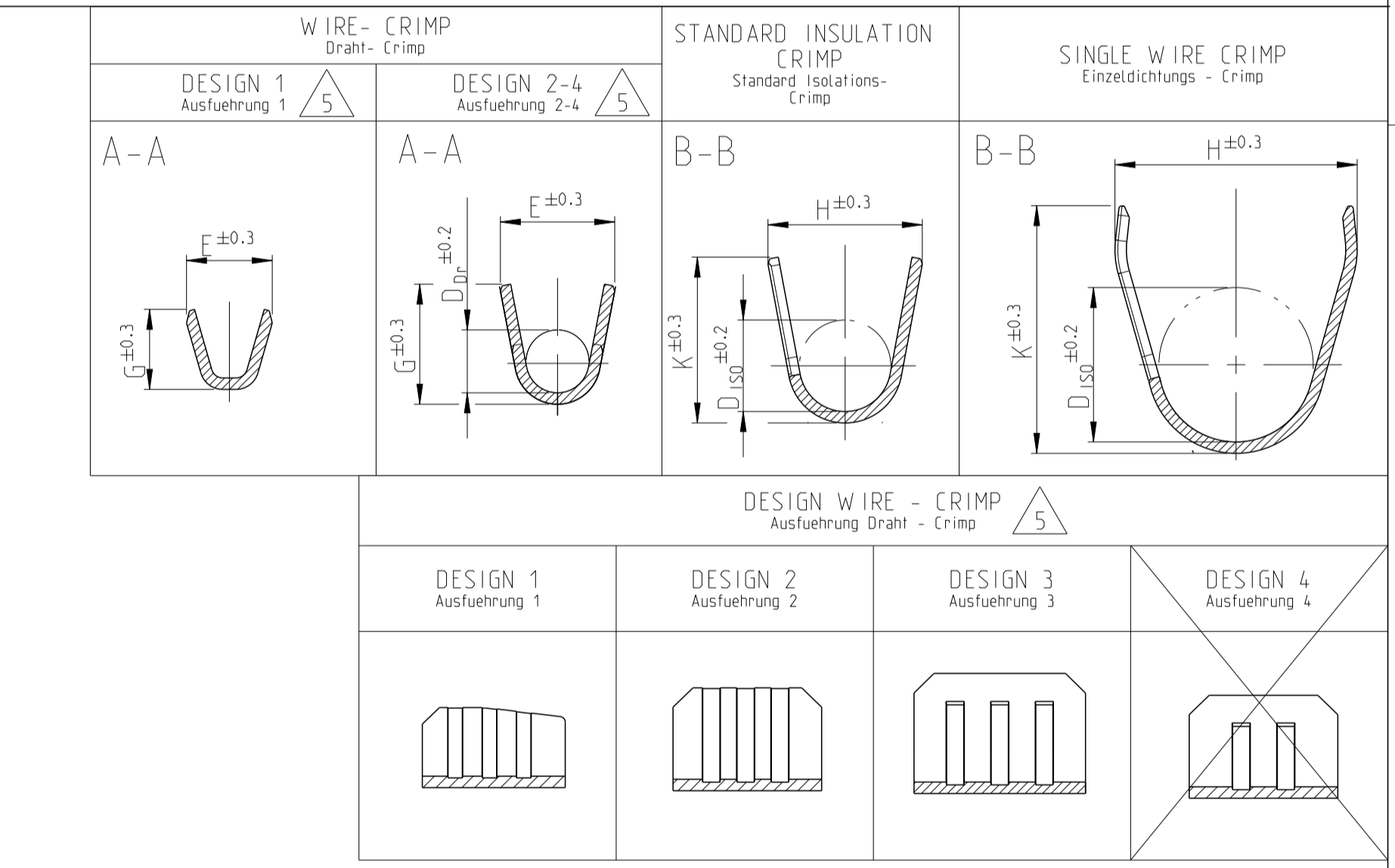
THE DRAWING SHOWS THE 2-DIMENSIONAL REFERENCE COMPONENT CONDITION OF THE ASSEMBLY TO IDENTIFY AND SPECIFY THE NECESSARY DIMENSIONS ONLY. THE DELIVERED PARTS MAY DEVIATE FROM THE DRAWING REGARDING THE ORIENTATION AND POSITION OF EACH COMPONENT (e.g. SLACK CABLE), SO FAR THE FUNCTIONALITY IS NOT CONCERNED.

DIE ZEICHNUNG ZEIGT DEN 2-DIMENSIONALEN IDEALZUSTAND DES ZUSAMMENBAUTEILS BEZÜGLICH DER KOMPONENTEN ZUR IDENTIFIKATION UND SPEZIFIKATION DER NOTWENDIGEN DIMENSIONEN. HINSICHTLICH DER ORIENTIERUNG UND DER LAGE DER KOMPONENTEN (Z.B. BIEGESCHLAPTES KABEL) KOENNEN DIE DELIEFERTEN TEILE VON DER ZEICHNUNG ABWEICHEN, SOFERN DIE FUNKTIONALITAET NICHT BEEINTRAECHTIGT IST.

Loc	Dist	REVISONS					
AI	-	P	LTA	DESCRIPTION	DATE	DWN	APVD
PROJECT No.	C9	ECR-15-012070			22SEP2015	JB,JH	BK
EGAUT 02021	C10	DIM 'L' FOR 2141868-1, -2 and -3 IS CHANGED TO 16.3mm			06OCT2017	GH	CASS
	C11	E-19-013005			20AUG2019	FRAN	CASS
	C12	Correction of Design 3			05JUN2020	FRAN	CASS



SINGLE WIRE SEALING SYSTEM / Einzelichtungssystem SEE APPLICATION SPECIFICATION / siehe Verarbeitungsspezifikation	1718762-3	B														
	1718762-2	C	1.0 - 1.5	1.9 - 2.4	CuNiSi	CuSn0.15/0.2	TIN PLATED verzinkt	4	2	A = 3.0 B = 2.0 C = 6.8	E = 2.6 G = 2.9 D _{or} = 1.35	H = 4.4 K = 4.3 D _{iso} = 2.9 M = 0.8		16.8		
	1718762-1	B														
	1718760-3	A														
	1718760-2	B	0.5 - 0.75	1.4 - 1.9	CuNiSi	CuSn0.15/0.2	TIN PLATED verzinkt	4	2	A = 2.6 B = 2.0 C = 6.4	E = 2.0 G = 2.1 D _{or} = 1.1	H = 4.2 K = 4.3 D _{iso} = 2.7 M = 0.8		16.3		
	1718760-1	A														
	1718758-3	A														
	1718758-2	B	0.25 - 0.35	1.1 - 1.75	CuNiSi	CuSn0.15/0.2	TIN PLATED verzinkt	4	2	A = 2.6 B = 2.0 C = 6.4	E = 1.8 G = 1.8 D _{or} = 0.8	H = 4.2 K = 4.3 D _{iso} = 2.6 M = 0.8		16.3		
	1718758-1	A														
	2141868-3	A														
2141868-2	A	0.13 - 0.22		2.6	CuNiSi	CuSn0.15/0.2	TIN PLATED verzinkt	4	1	A = 2.5 B = 1.9 C = 6.2	E = 1.5 G = 1.4	H = 4.0 K = 4.1 D _{iso} = 2.6 M = 0.6		16.3		
2141868-1	A															
FLR CABLE / Leitung SEE APPLICATION SPECIFICATION / siehe Verarbeitungsspezifikation	1418762-3	A														
	1418762-2	B	1.0 - 1.5	1.9 - 2.4	CuNiSi	CuSn0.15/0.2	TIN PLATED verzinkt	4	3	A = 3.0 B = 2.0 C = 6.1	E = 2.6 G = 2.9 D _{or} = 1.35	H = 3.7 K = 3.9 D _{iso} = 2.1 M = 0.2		16.3		
	1418762-1	A														
	5-1418760-3	A														
	5-1418760-2	A	0.5 - 0.75	1.4 - 1.9	CuNiSi	CuSn0.15/0.2	TIN PLATED verzinkt	4	2	A = 3.0 B = 2.0 C = 6.1	E = 2.0 G = 2.1 D _{or} = 1.1	H = 2.7 K = 2.9 D _{iso} = 1.6 M = 0.2		16.3		
	5-1418760-1	A														
	1418760-3	B														
	1418760-2	C	0.5 - 0.75	1.4 - 1.9	CuNiSi	CuSn0.15/0.2	TIN PLATED verzinkt	4	3	A = 3.0 B = 2.0 C = 6.1	E = 2.0 G = 2.1 D _{or} = 1.1	H = 2.7 K = 2.9 D _{iso} = 1.6 M = 0.2		16.3	Superseded	
	1418760-1	B														
	5-1418758-3	A														
5-1418758-2	B	0.25 - 0.35	1.1 - 1.75	CuNiSi	CuSn0.15/0.2	TIN PLATED verzinkt	4	2	A = 2.6 B = 2.0 C = 5.7	E = 1.8 G = 1.8 D _{or} = 0.8	H = 2.6 K = 2.6 D _{iso} = 1.4 M = 0.2		16.3			
5-1418758-1	A															
1418758-3	A															
1418758-2	B	0.25 - 0.35	1.1 - 1.75	CuNiSi	CuSn0.15/0.2	TIN PLATED verzinkt	4	4	A = 2.6 B = 2.0 C = 5.7	E = 1.8 G = 1.8 D _{or} = 0.8	H = 2.6 K = 2.6 D _{iso} = 1.4 M = 0.2		16.3	Superseded		
1418758-1	A															
2141864-3	A															
2141864-2	A	0.13 - 0.22	0.85 - 1.2	CuNiSi	CuSn0.15/0.2	TIN PLATED verzinkt	4	1	A = 2.5 B = 1.7 C = 5.4	E = 1.5 G = 1.4	H = 2.0 K = 1.9 D _{iso} = 1.1		15.3			
2141864-1	A															



- 1 LASER WELDED Lasergeschweisst
- 2 REVISION STATUS Revisionsstand
- 3 CONTACT AREA TAB MIN. 0.8µm SELECTIV GOLD OVER Ni Kontaktzone selectiv vergoldet min. 0.8µm ueber Ni
- 4 CONTACT AREA TAB MIN. 2.0µm SELECTIV SILVER Kontaktzone selectiv versilbert min. 2.0µm
- 5 DIFFERENT FORM OF THE SERRATIONS AND WIRE-CRIMP POSSIBLE unterschiedliche Ausfuehrung der Rillen und des Draht-Crimps moeglich
- 6 RELEASED WIRE. SEE APPLICATION SPEC. TE 114-18464 Freigegebene Leitung, siehe APPLICATION SPEC. TE 114-18464

INSULATION CRIMP FOR ISOLATIONS-CRIMP	ORDER NO. Bestell-Nr. STRIP Bandware	REV	WIRE RANGE Drahtgroessenbereich (mm ²)	INSULATION-Ø Isolations-Ø (mm)	BODY Kontaktkoerper	TAB Flachstecker	BODY Kontaktkoerper	SPRING Kontaktfeder	DESIGN WIRE-CRIMP Ausfuehrung Draht - Crimp	LENGTH Laenge	WIRE CRIMP Drahtcrimp	INSULATION CRIMP Isolations Crimp	DIMENSION Messung (mm)	PRODUCT CHARACTERISTICS ACC. QMP 1.12 / BESONDERE MERKMALE NACH QMP 1.12			TOLERANCING ISO 8015 / TOLERIERUNG ISO 8015			DWN R. Meier 10MARD3		APVD U. Muenik 30JUT03		TE Connectivity PRODUCT GROUP DRAWING FOR TAB CONTACT 1.2 MM Produktgruppenzeichnung Flachstecker 1.2mm SIZE CASE CODE DRAWING NO 114-18464 WEIGHT 00779 C= 1418754 SCALE 10:1 SHEET 1 OF 1 REV C12
					MATERIAL Werkstoff		SURFACE Oberflaeche				CRIMP DIMENSION Crimpabmessungen (mm)			THIS DRAWING IS A CONTROLLED DOCUMENT. DIMENSIONS: mm		DIMENSIONS: mm TOLERANCES UNLESS OTHERWISE SPECIFIED: 2 PLC ± 3 PLC ± ±0.2mm 4 PLC ± ±* ANGLES ±* MATERIAL SEE TABLE FINISH SEE TABLE		WEIGHT 114-18464 Customer Drawing						