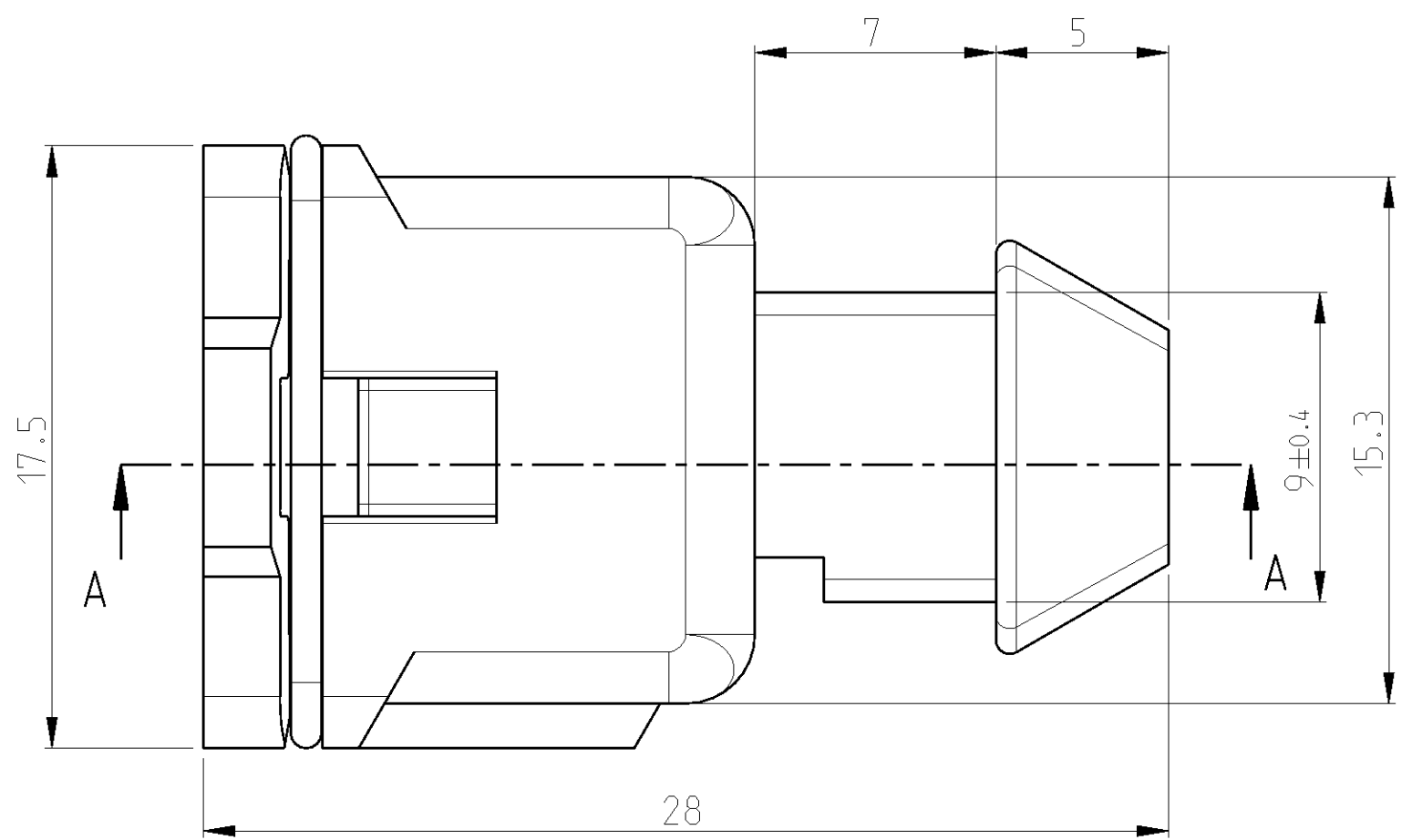
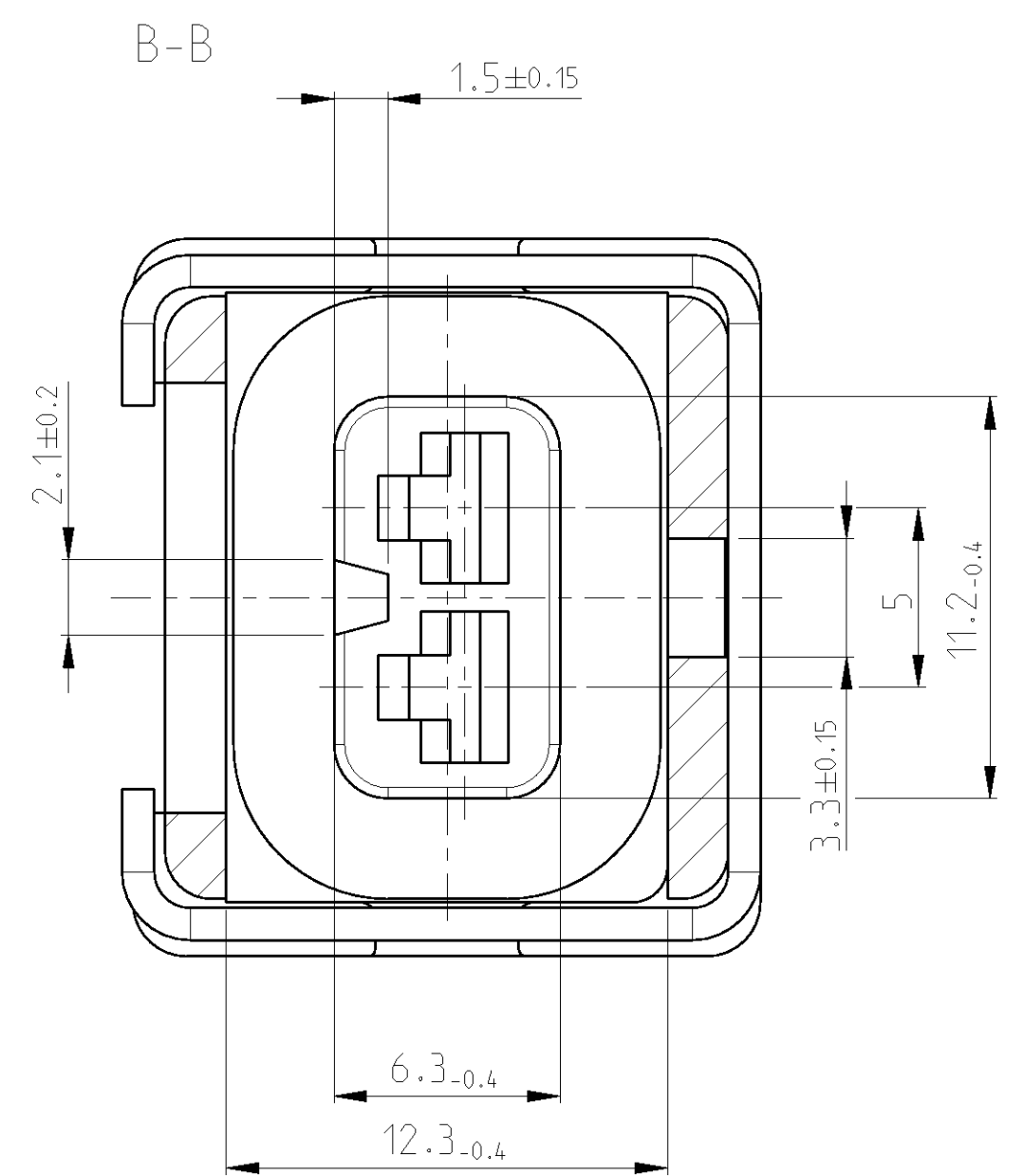
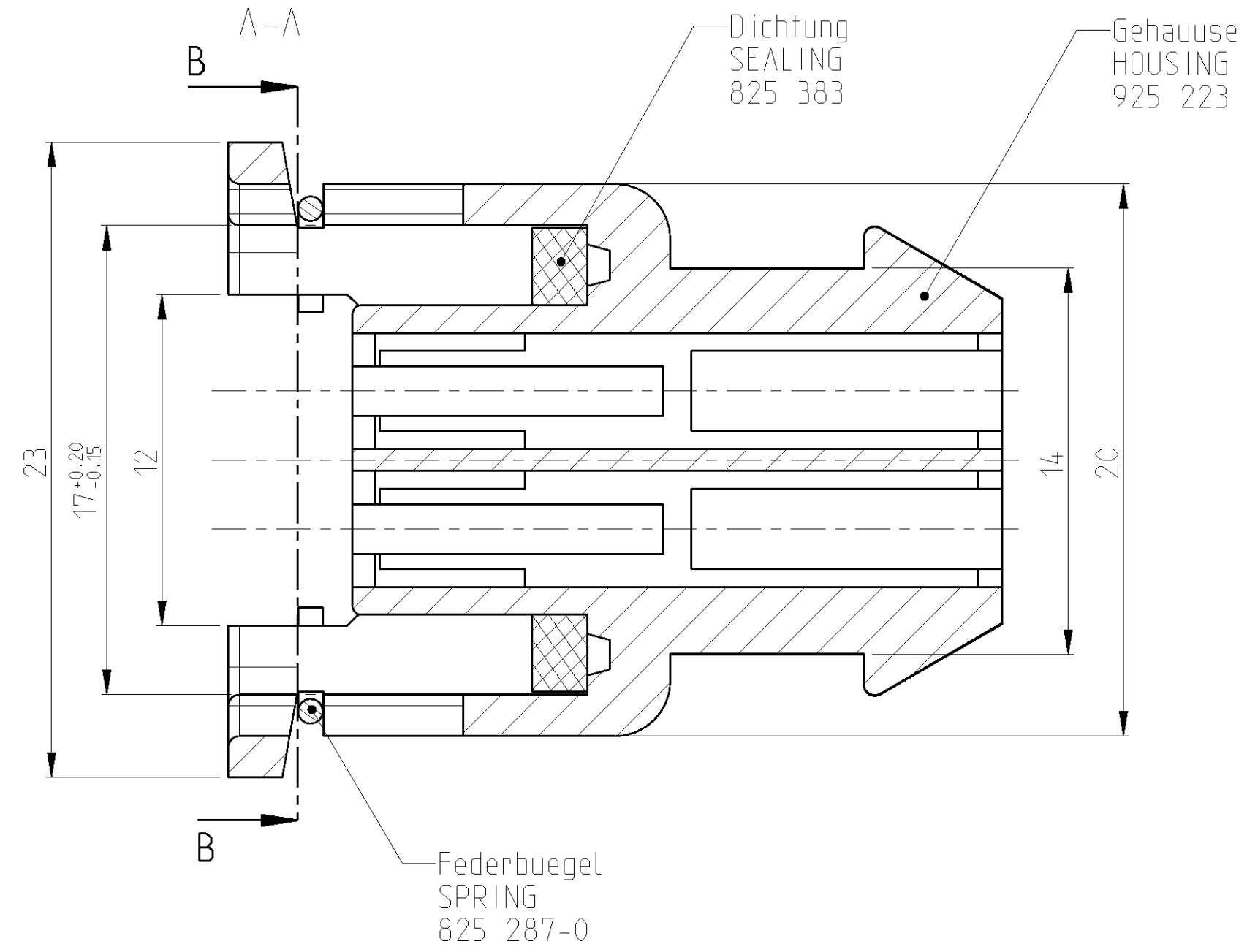


THIS DRAWING IS UNPUBLISHED. RELEASED FOR PUBLICATION 2012  
 © COPYRIGHT 2012 BY - ALL RIGHTS RESERVED.

LOC		DIST		REVISIONS			
P	LTR	DESCRIPTION	DATE	DWN	APVD		
	G3	Dimensions new attracted	22NOV2012	Ho.	Krauss		



3-825 414-6	BROWN	PA 6.6 GV 30	825 383-4
3-825 414-5	BLACK	PA 6.6 GV 30	825 383-4
3-825 414-3	BLUE	PA 6.6 GV 30	825 383-4
3-825 414-2	GREEN	PA 6.6 GV 30	825 383-4
3-825 414-1	GREY	PA 6.6 GV 30	825 383-4
3-825 414-0	CLEAR	PA 6.6 GV 30	825 383-4
2-825 414-6	BROWN	PA 6.6 GV 13	825 383-4
2-825 414-5	BLACK	PA 6.6 GV 13	825 383-4
2-825 414-3	BLUE	PA 6.6 GV 13	825 383-4
2-825 414-2	GREEN	PA 6.6 GV 13	825 383-4
2-825 414-1	GREY	PA 6.6 GV 13	825 383-4
2-825 414-0	CLEAR	PA 6.6 GV 13	825 383-4
1-825 414-6	BROWN	PA 6.6 GV 30	825 383-1
1-825 414-5	BLACK	PA 6.6 GV 30	825 383-1
1-825 414-3	BLUE	PA 6.6 GV 30	825 383-1
1-825 414-2	GREEN	PA 6.6 GV 30	825 383-1
1-825 414-1	GREY	PA 6.6 GV 30	825 383-1
1-825 414-0	CLEAR	PA 6.6 GV 30	825 383-1
825 414-6	BROWN	PA 6.6 GV 13	825 383-1
825 414-5	BLACK	PA 6.6 GV 13	825 383-1
825 414-3	BLUE	PA 6.6 GV 13	825 383-1
825 414-2	GREEN	PA 6.6 GV 13	825 383-1
825 414-1	GREY	PA 6.6 GV 13	825 383-1
825 414-0	CLEAR	PA 6.6 GV 13	825 383-1

THIS DRAWING IS A CONTROLLED DOCUMENT.

DWN Haas, C. 18JUL2006	 TE Connectivity	NAME	
CHK Stredak, F. 23AUG2006		ASSEMBLY FOR 2POS. FEMALE HSG. FOR JUNIOR-TIMER CONTACT	
APVD Bleicher, M. 25AUG2006		2 pol. Buchsengeh. fuer JT Kontakt	
PRODUCT SPEC		SIZE	CAGE CODE
APPLICATION SPEC	A2	00779	825414_C
WEIGHT	SCALE 5:1		SHEET 1 OF 1
Customer Drawing	REV G3		