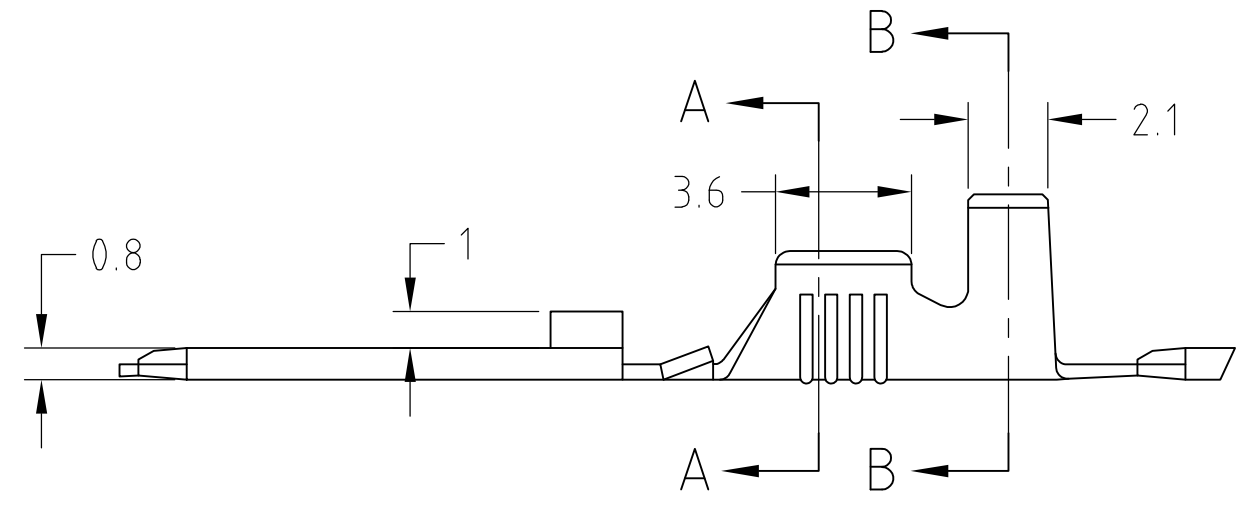
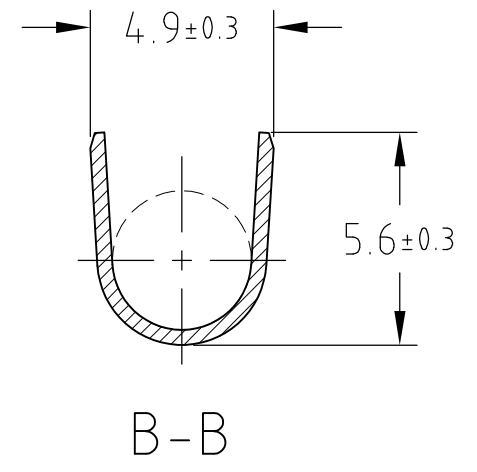
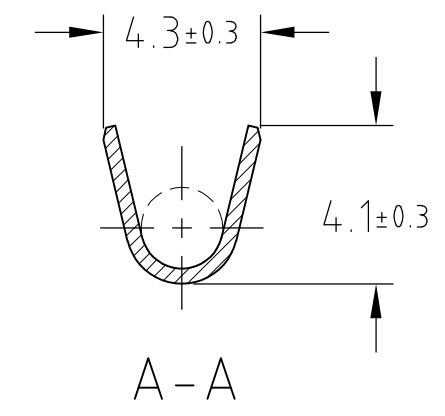
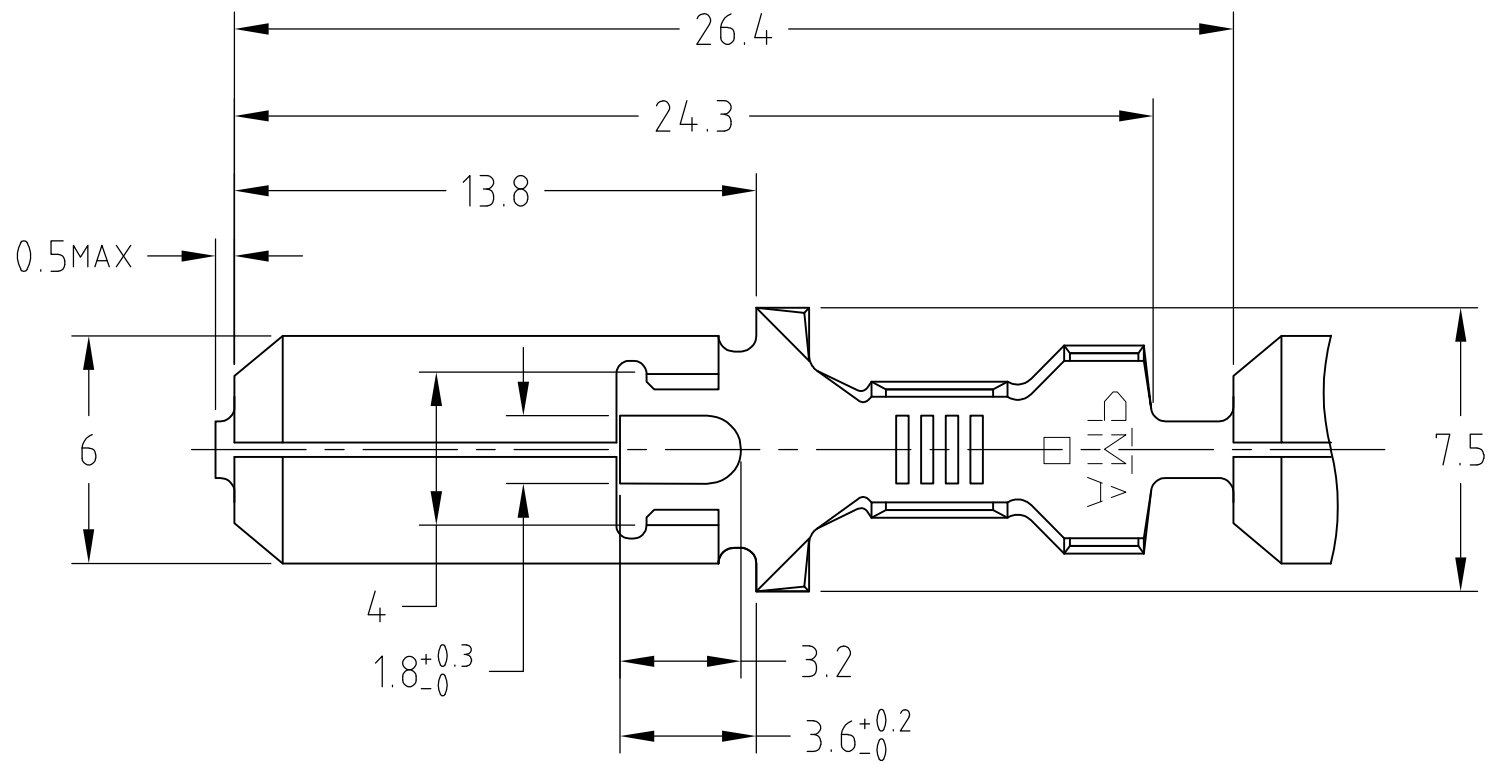


THIS DRAWING IS UNPUBLISHED. RELEASED FOR PUBLICATION
 © COPYRIGHT BY TYCO ELECTRONICS CORPORATION. ALL RIGHTS RESERVED.

LOC	DIST	REVISIONS					
J	—	P	LTR	DESCRIPTION	DATE	DWN	APVD
			C2	REDRAWN WITH CHANGE ECR-16-015552	8NOV2016	DL	TD



— // —	黄銅 BRASS t=0.41	170341-5	⚠
— // —	錫めっき済 黄銅 PRE-TIN BRASS t=0.41	170341-4	⚠
— // —	錫めっき済 黄銅 PRE-TIN BRASS t=0.41	170341-3	
— // —	黄銅 BRASS t=0.41	170341-1	
仕上げ FINISH	材料 MATERIAL	型番 PART NUMBER	

注記：
 ⚠ 中間紙を巻いたタイプ
 NOTES:
 ⚠ SEPARATE PAPER TYPE

THIS DRAWING IS A CONTROLLED DOCUMENT.		DWN T.SHINOHARA 16JUN1998	Tyco Electronics AMP K.K. Kawasaki, Japan	
DIMENSIONS: 単位: 耗 mm		CHK K.BETSUI 16JUN1998		
TOLERANCES UNLESS OTHERWISE SPECIFIED: 一般公差		APVD K.BETSUI 16JUN1998	NAME 名称 250 SERIES TAB WITHOUT LATCH	
 10 ≥ ± 0.2 30 ≥ >10 ± 0.25 100 ≥ >30 ± 0.3		PRODUCT SPEC 製品規格 108-5147,5153,5319	WIRE RANGE 2-3.37mm ² (AWG#14-#12)	
MATERIAL 材料 SEE TABLE		APPLICATION SPEC 取付適用規格 114-5052	INSULATION DIA 2.9-3.8DIA	
ANGLES FINISH 仕上 SEE TABLE		WEIGHT	RESTRICTED TO	
CUSTOMER DRAWING		SCALE 尺度 5:1	SHEET 1 OF 1	
		SIZE A3	REV C2	