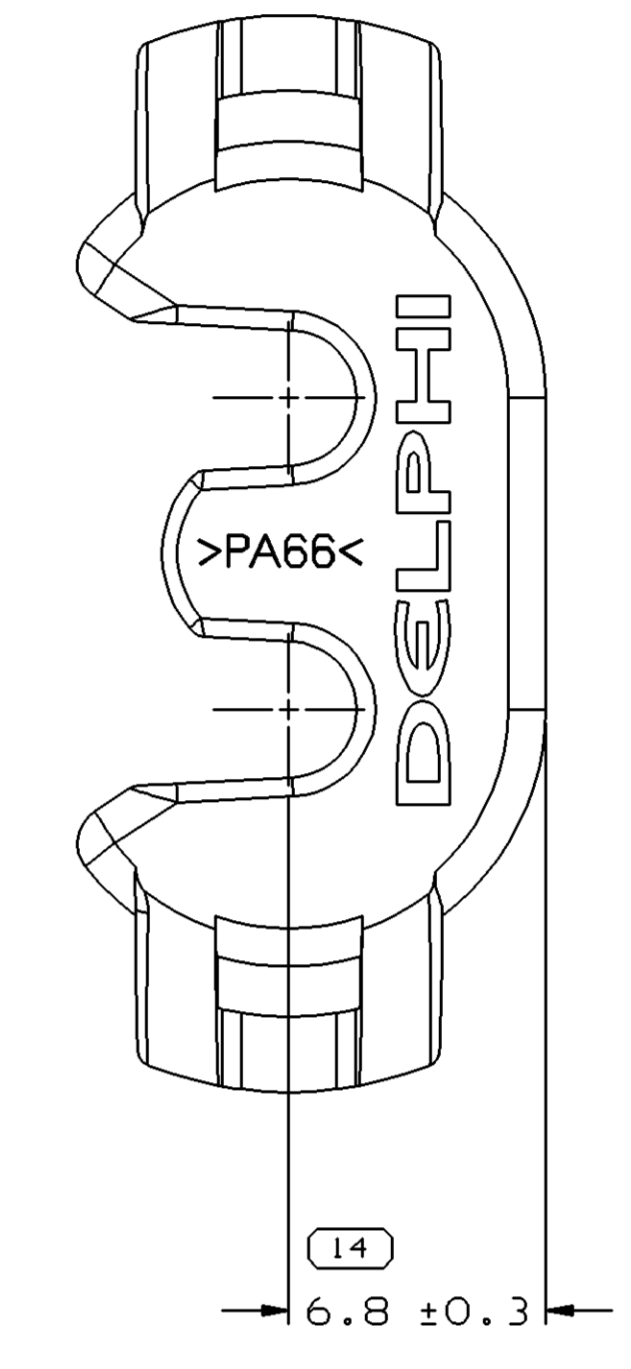
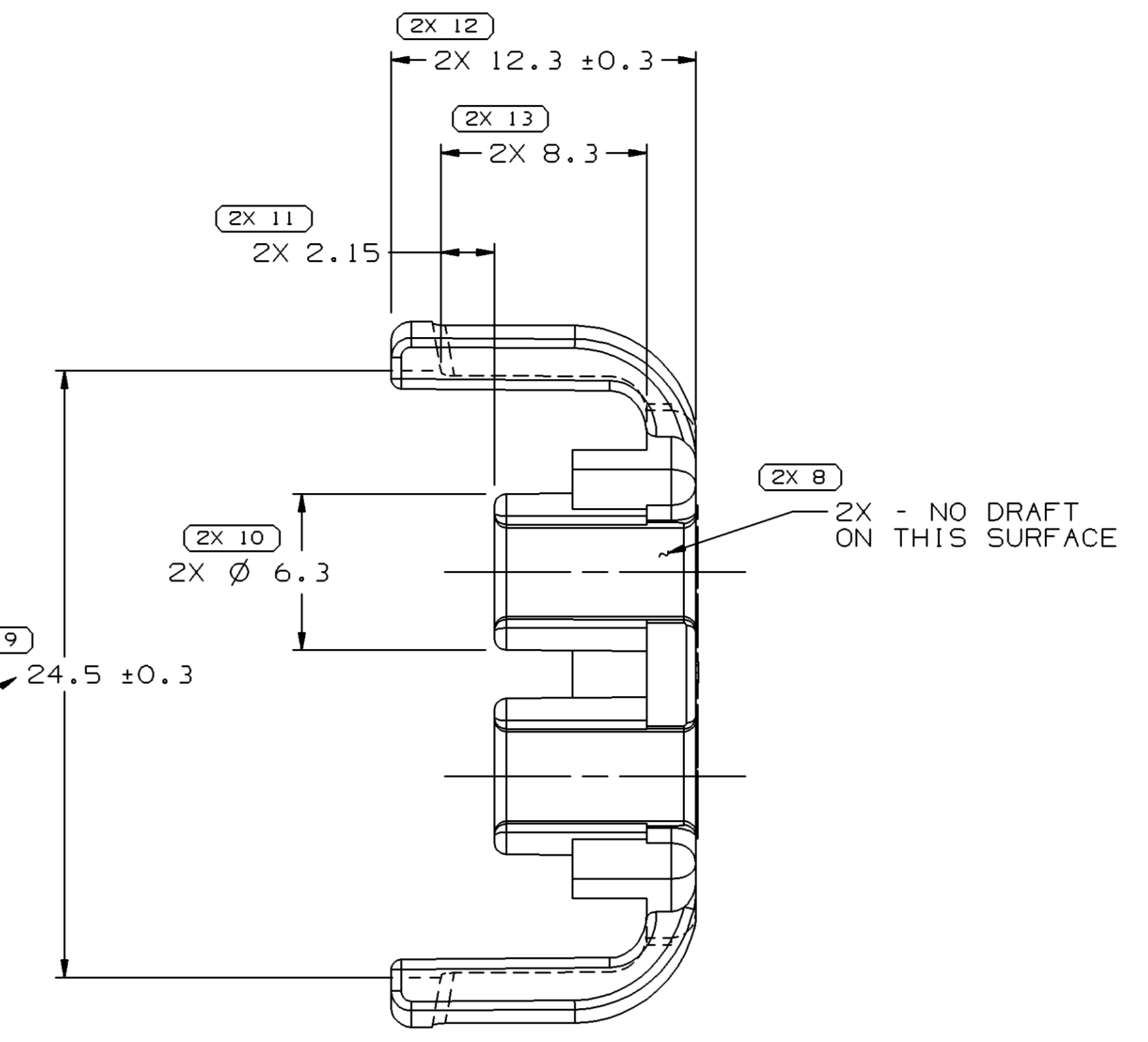
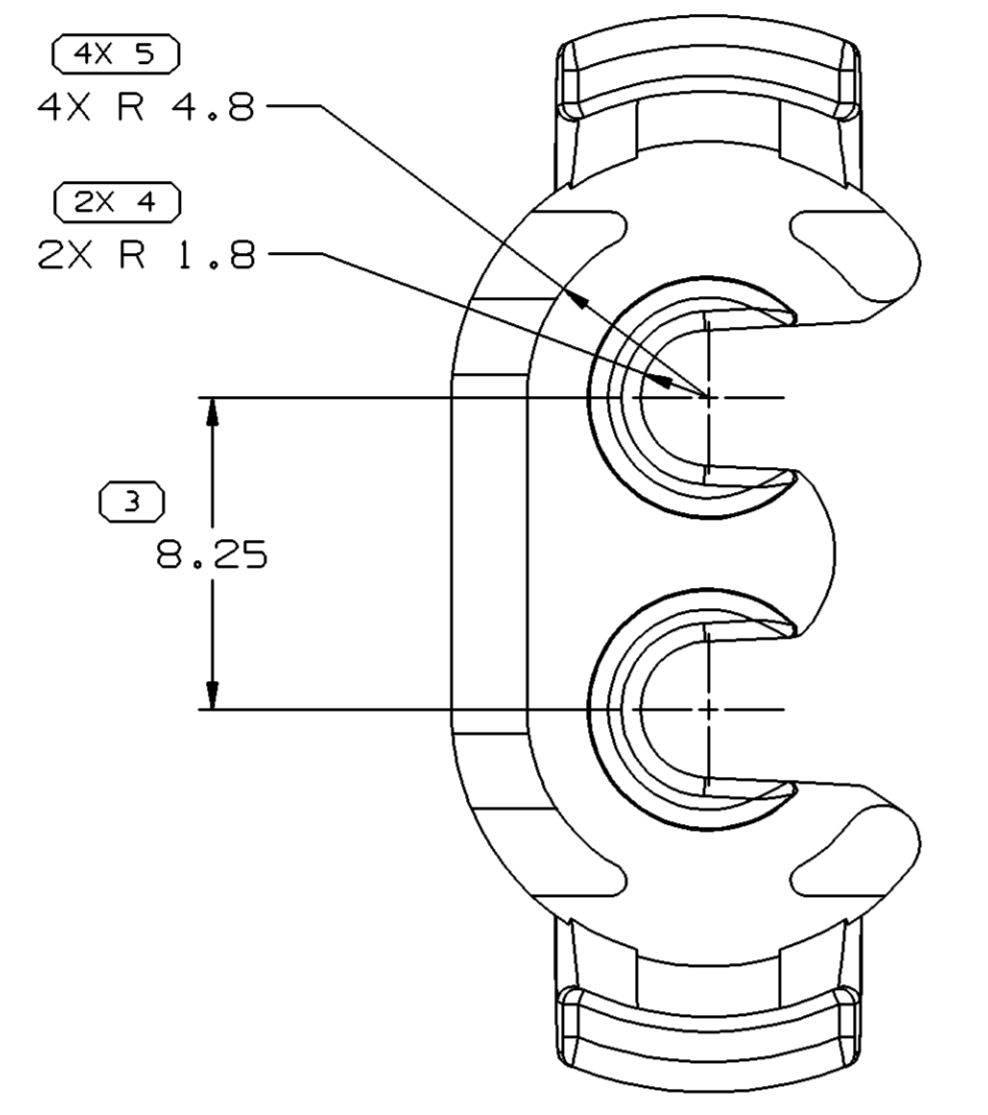
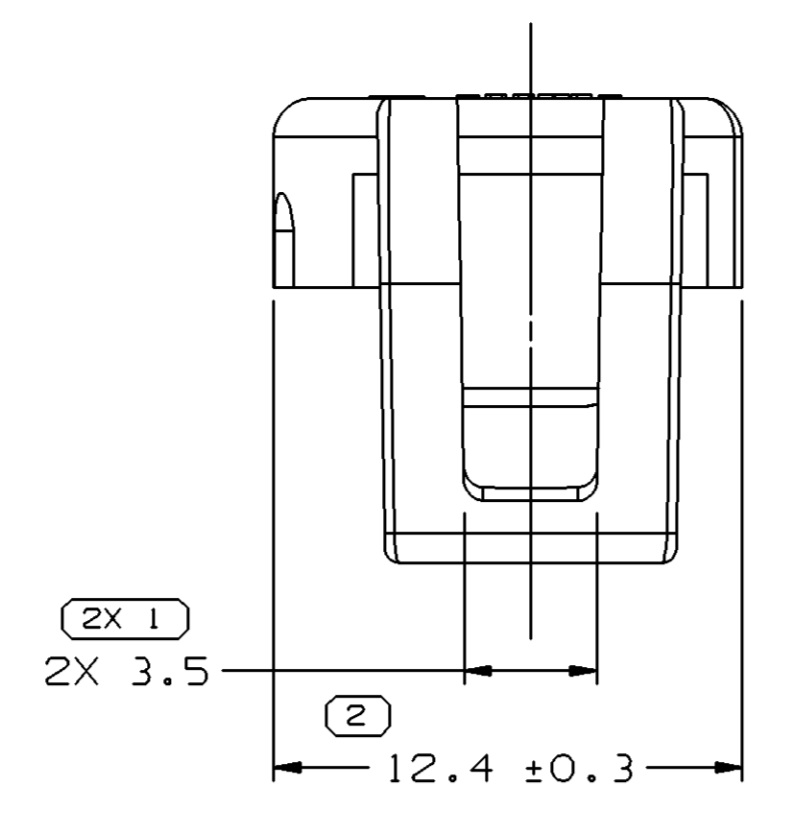
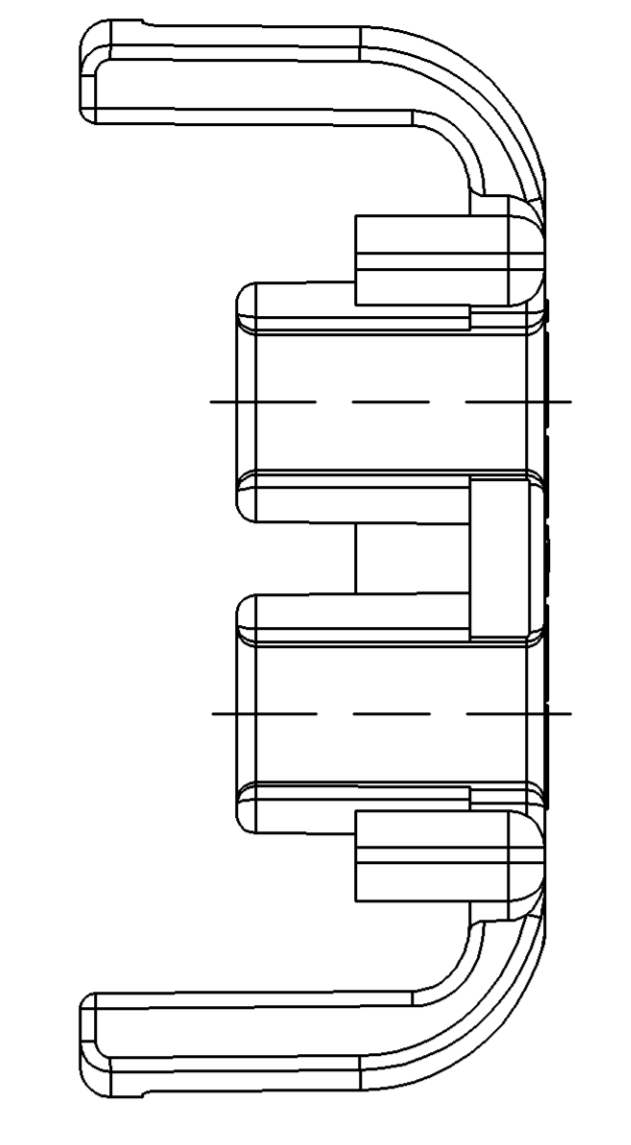
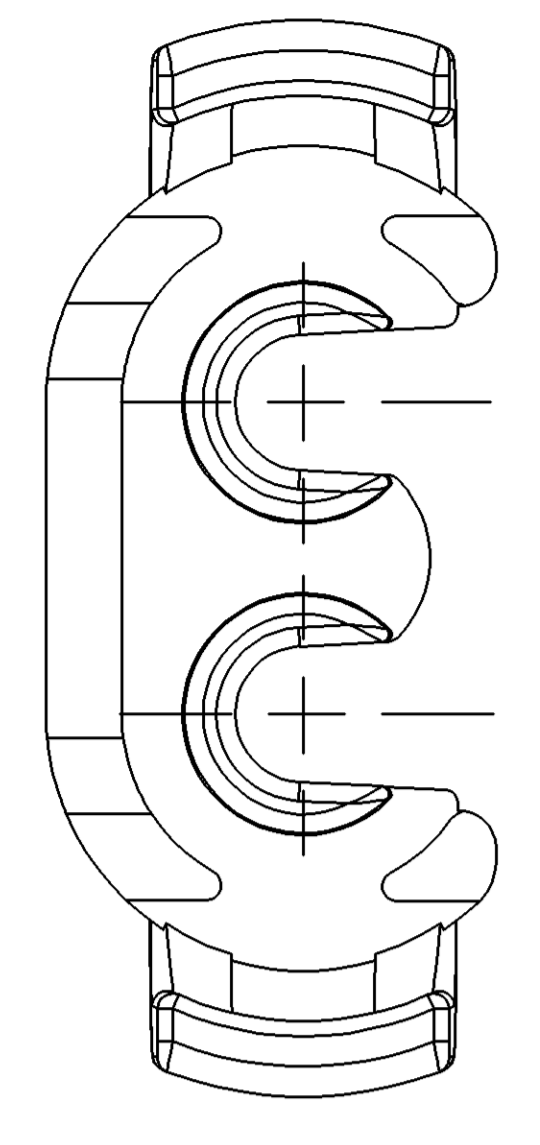


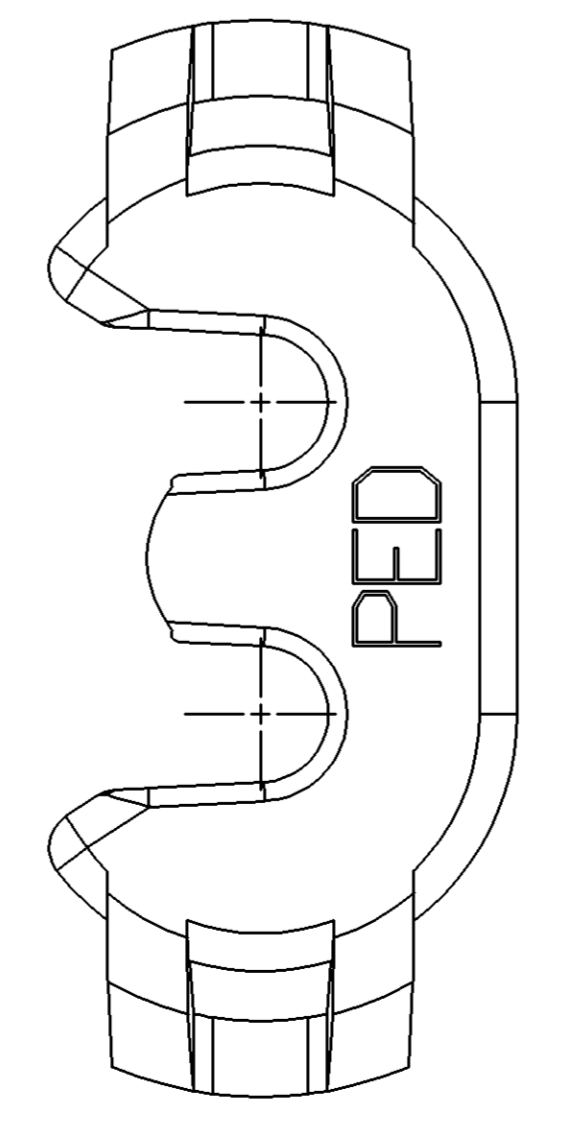
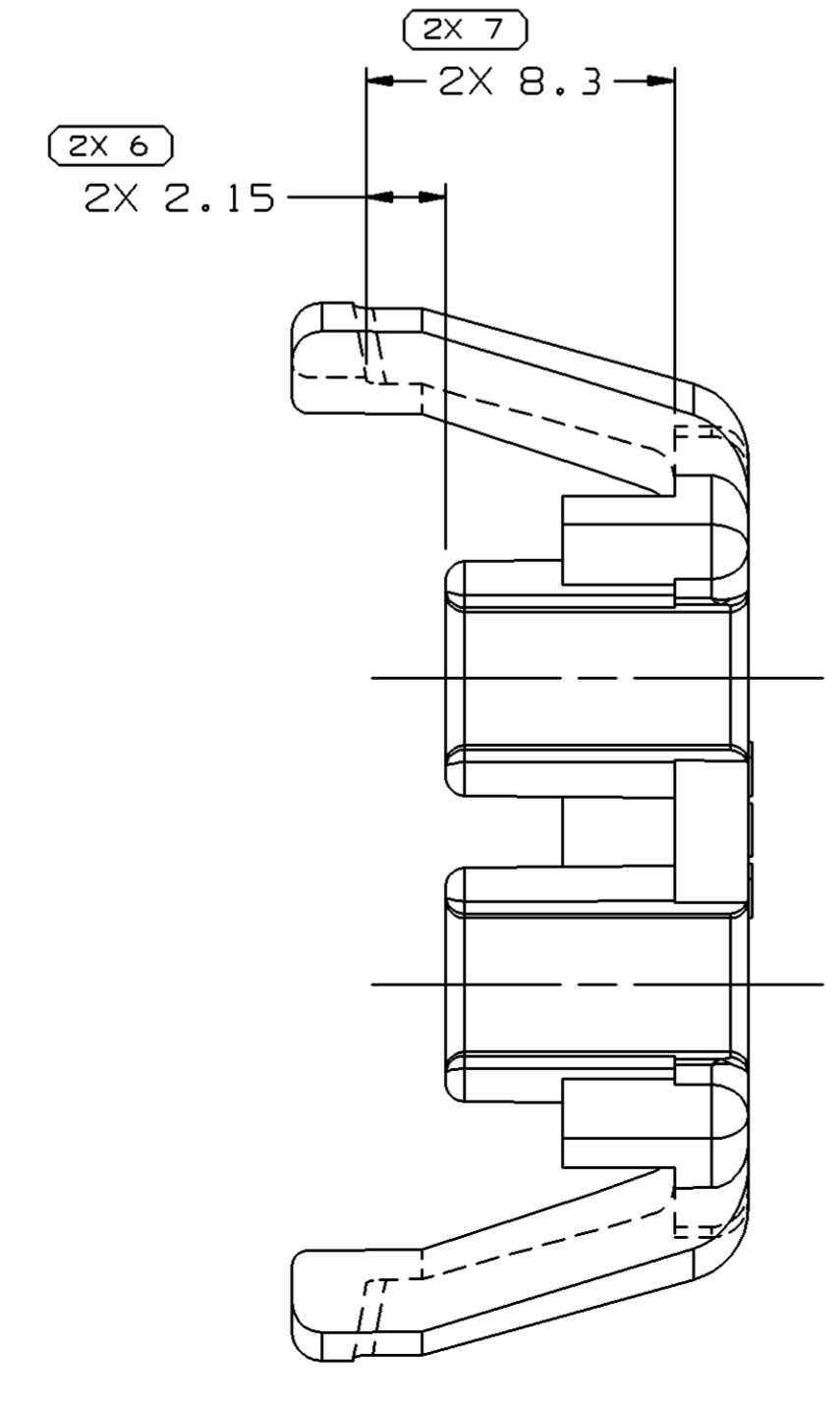
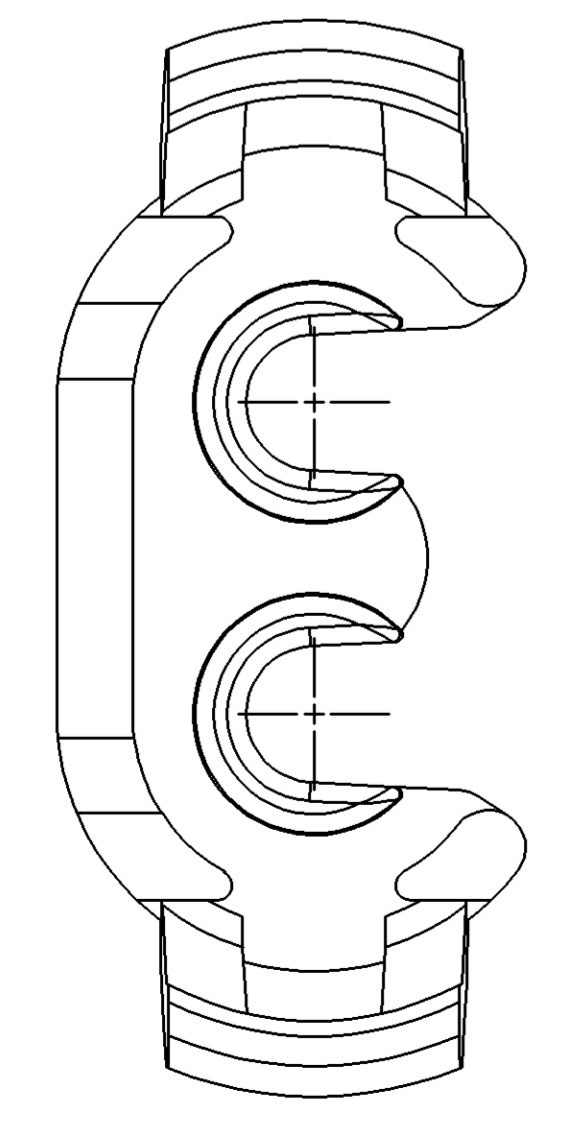
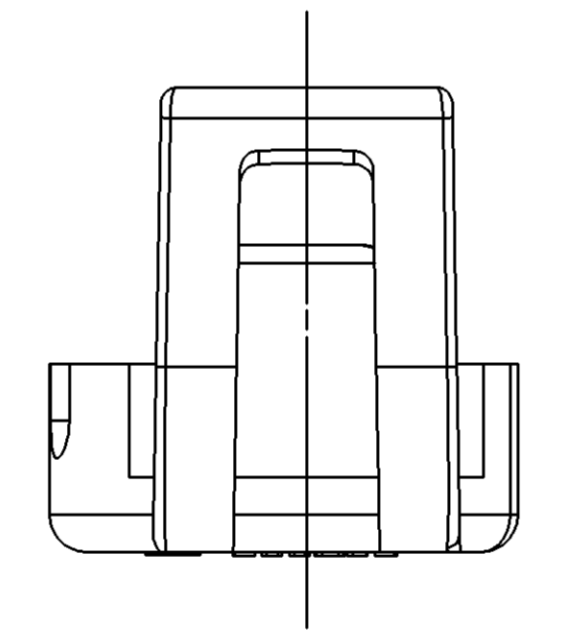
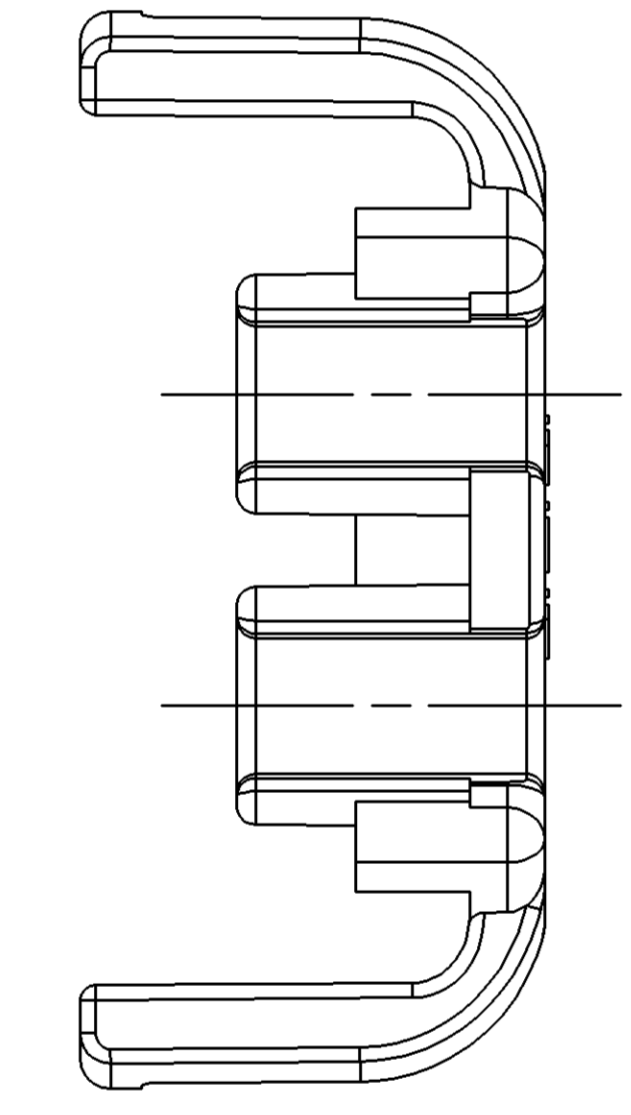
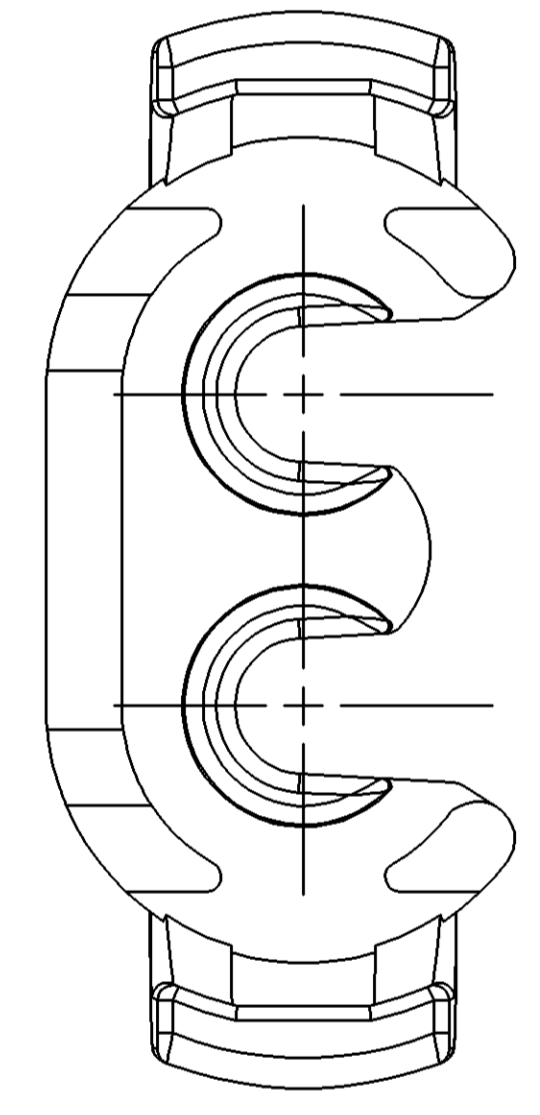
SYMBOL DEFINITION		MISSING SYMBOLS	
A DIMENSION WITHOUT AN INSPECTION REPORT SYMBOL DOES NOT REQUIRE INSPECTION. IT MAY BE CONTROLLED ON THE INDIVIDUAL COMPONENT DRAWING.	TOTAL NO OF INSPECTIONS REQUIRED	NO MISSING SYMBOL NUMBER	
	27		
	LAST NO. USED	15	

DWO STATUS				REVISION HISTORY				AUTH	DR	APVD
DATE	STG	REV	N/P	CHG	ZONE					
12MR02	R	03	-	-		CLEARED REV COLUMN: 12059185 - ADDED DELPHI LOGO NOTE & RECYCLING CODE NOTE, ADDED OPTIONAL CONSTRUCTION AND REVISED MAT'L SPEC	222501	RH	RH	RC
16JN03	R	04	-	-		12059185 - MAT'L SPEC WAS M4695008 PBT BLU	242545	LFS	RVP	AM
20AU03	R	05	-	-		ADDED OPTIONAL CONSTRUCTION	244913	AFM	BEG	ET
04N003	R	06	-	-		12059185 - ADDED DIM	248442	EAR	EAR	ET



OPTIONAL CONSTRUCTION

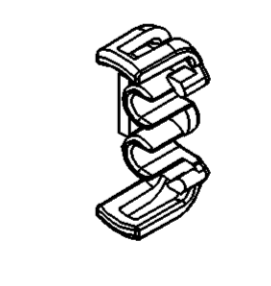
OPTIONAL CONSTRUCTION



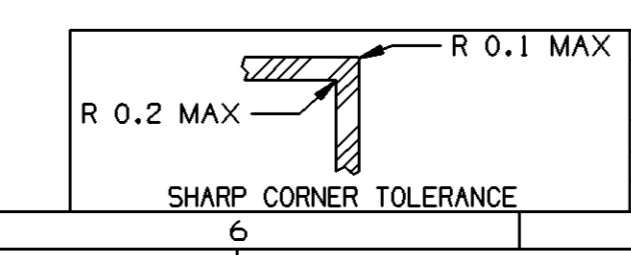
OPTIONAL CONSTRUCTION FOR EXISTING TOOLING ONLY

NOTES

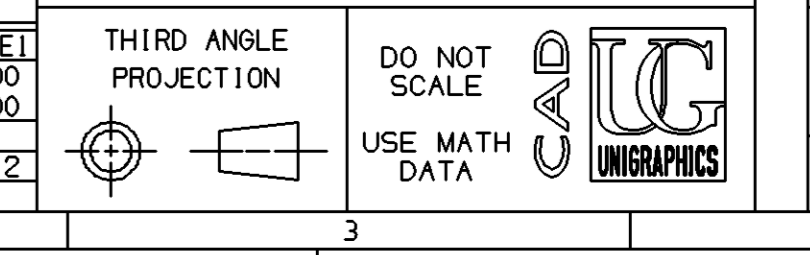
- UNLESS OTHERWISE SPECIFIED AND/OR INDICATED: DIMENSIONS ARE TO FACE OF VIEW SHOWN AND AUTOMATICALLY ROUNDED BY COMPUTER FOR INSPECTION (SEE MATH MODEL FOR PRECISE DIMENSIONS). FOR ALL OTHER DIMENSIONS NOT SHOWN BUT REQUIRED FOR TOOL BUILD, SEE MATH MODEL FOR PRECISE TOOL PATH DATA.
- MATERIAL RECYCLING CODE >PA66< PER SAE J1344. (2.3)X(0.1) RAISED CHARACTERS AS SHOWN TO BE LOCATED ON ANY EXTERIOR SURFACE. OPTIONAL CONSTRUCTION TO BE NO MATERIAL RECYCLING CODE.
- THIS PART IS NOT CONTROLLED FOR AUTOMATIC FEEDING.
- MATING COMPONENTS OR EQUIVALENT: CONNECTOR 12059181 & 12059183
- (2.3)X(0.1) RAISED DELPHI CORPORATE BRAND TO BE LOCATED ON ANY EXTERIOR SURFACE, PREFERABLY VISIBLE AT FINAL ASSEMBLY. OPTIONAL CONSTRUCTION TO BE "PED" OR NO LOGO.
- THE MATERIAL SPECIFIED CANNOT BE CHANGED WITHOUT THE APPROVAL OF THE SUPERVISOR OF COMPONENT LIAISON OR HIS DELEGATE.



12103656	A	-	OB SOLETE	M3596008 PA6 BLU	0.882
12059185	08	AB	-	M3592008 PA66 1M HS BLU	0.877
PART NO	REV	N/P	STATUS	MATERIAL SPECIFICATION AND COLOR	VOL CM ³



DIMENSIONAL RANGE (MM)	TOLERANCE (UNLESS OTHERWISE SPECIFIED)
FROM 0 TO 20	±0.15
20 TO 30	±0.2
30 TO 50	±0.3
50 TO 100	±0.4
100 TO 150	±0.5
150 TO 200	±0.6
200 TO 300	±0.8
300 TO 400	±1
> 400	±1.2



DELPHI
DELPHI PACKARD ELECTRIC SYSTEMS
WARREN, OH

DR	DATE
APVD1 R. HERMOSILLO	03SE01
APVD2 E. VAZQUEZ	04SE01
APVD3 R. CORZAS	05SE01
APVD4	
APVD5	

MATERIAL: SEE CHART

DRAWING NAME: TAXI LOCK TERM LK TPA

DRAWING NUMBER: 12103657

SIZE: A0 SCALE: 5:1 FRAME NO: 1 OF 1 SHEET NO: 1 OF 1 REV: 06

DWO TYPE	PART DRAWING
STYLE	SEE CHART
VOLUME (CM ³)	DISTR CODE
ROUTING	6900

UNLESS OTHERWISE SPECIFIED	REFERENCE
THIS DOCUMENT IS IN ACCORDANCE WITH ASME Y14.5M-1994 AS AMENDED BY THE 2003 DIMENSIONING AND TOLERANCING ADDENDUM - 1997. ALL GEOMETRIC TOLERANCES AND RELATED SURFACE PROPERTIES SHALL BE IDENTIFIED BY FEATURE CONTROL FRAME. UNLESS OTHERWISE SPECIFIED, TOLERANCES SHALL BE SHOWN SEPARATELY, REGARDLESS OF DATUM REFERENCE. ALL DIMENSIONS ARE IN MILLIMETERS.	