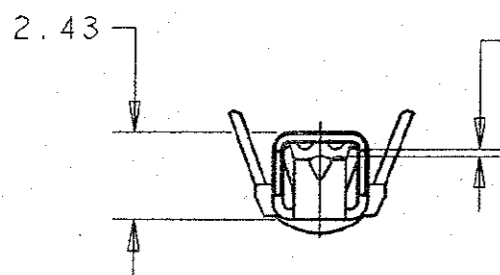
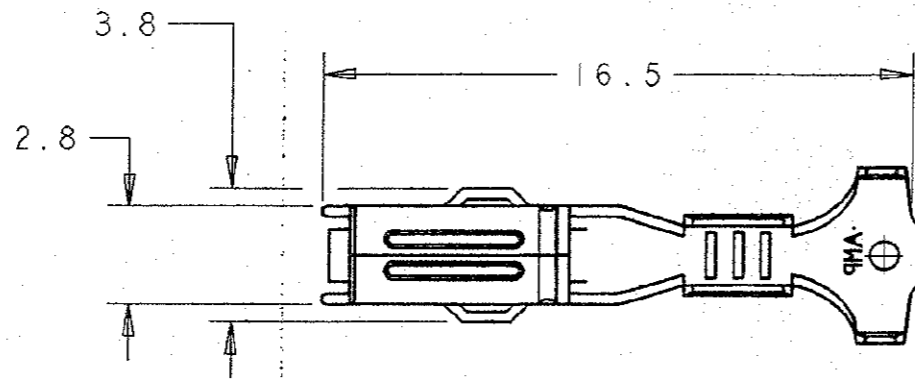
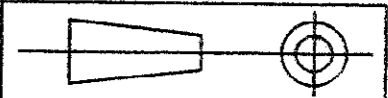
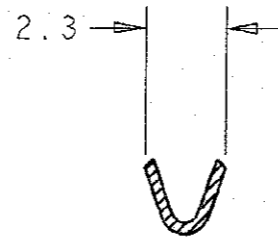
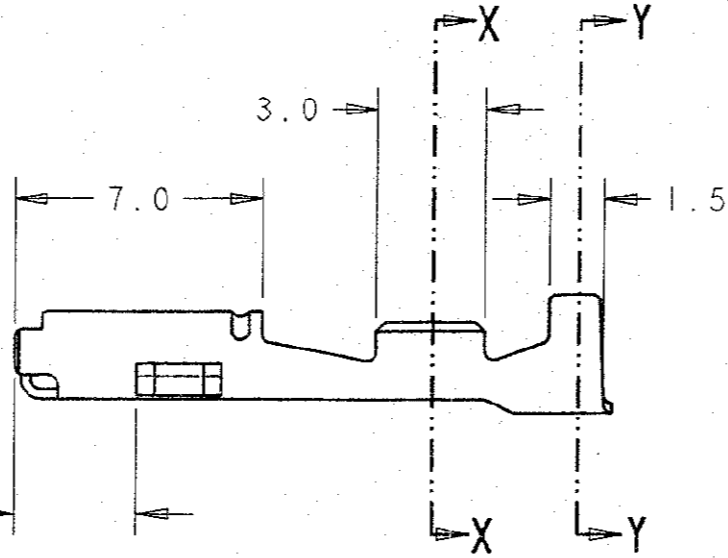


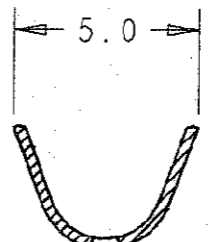
DO NOT SCALE DIMENSIONS IN MM.



CLIP GAP



SECTION X-X



SECTION Y-Y

WIRE RANGE: 0.2 TO 0.5 mm².
FOR SEALED AND UNSEALED APPLICATIONS, SINGLE WIRES ONLY MUST BE USED.

INSULATION RANGE:
FOR UNSEALED APPLICATIONS, WIRES OF 1.1 TO 1.8 mm INSULATION DIA. MAY BE USED.
FOR SEALED APPLICATIONS, ONLY WIRES OF 1.6 TO 1.8 mm INS. DIA. MAY BE USED WITH SEAL PN.345791-1.

PRE-TINNED		BRASS		345808-1	
FINISH		MATERIAL		PART NUMBER	
CUSTOMER DWG FOR REFERENCE ONLY		© COPYRIGHT 1993 BY AMP OF GREAT BRITAIN LTD. ALL INTERNATIONAL RIGHTS RESERVED. ALL PRODUCTS MAY BE COVERED BY BRITISH AND FOREIGN PATENTS AND/OR PATENTS PENDING.		RELEASED FOR PUBLICATION 01 APR 1993	
		TOLERANCES UNLESS OTHERWISE STATED DEC ± 0.5 ANGLES ± 1°		DR. R.J.S. 1.4.93 CH. R.R. APP. J.P.	
A RELEASED EB00-0041-D1 14.02.91		NAME		AMP of Great Britain Ltd.	
2 BOX WT. TOL ALTERED EB00-0344-95 10.10.95		.070" RECEPTACLE ECONOSEAL 3 L.C.		TERMINAL HOUSE STANMORE MIDD.	
1 PRELIM. ISSUE		SCALE		REV SHEET	
REV MODIFICATION CHANGE No. DATE		5 / 1 E A 3		C345808 A 1 / 1	