

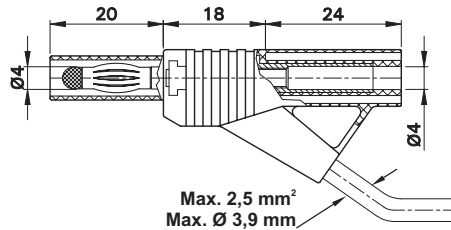
**Stapelbare Ø 4 mm-Stecker**

**XL-459/30**



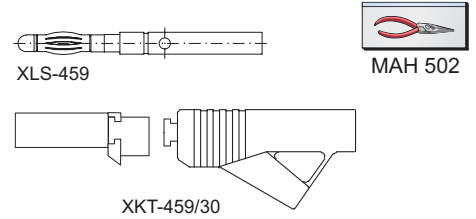
Stapelbarer Ø 4 mm-Stecker mit federnder Kontaktlamelle für die Selbstmontage von Messleitungen. Mit starrer Isolierhülse. Kabelzuführung unter 30°. **Schraubanschluss.**

**Stackable Ø 4 mm Plugs**



Stackable Ø 4 mm plug with spring-loaded Multilam for self-assembly of test leads. With rigid insulating sleeve. With 30° cable outlet. **Screw connection.**

**Fiches Ø 4 mm à reprise arrière**

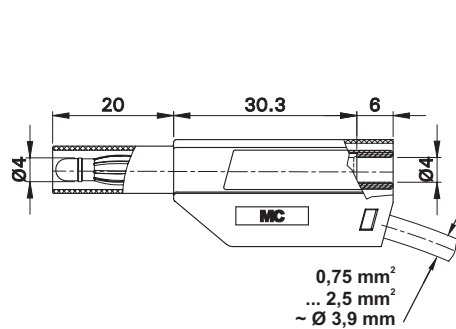


Fiche à lamelles Ø 4 mm à reprise arrière destinée à la confection de cordons de mesure. Protégée par un fourreau isolant rigide. Entrée de câble à 30°. **Raccord à visser.**

Typ Type Type	Best.-Nr. Order No. N° de Cde	Bemessungsspannung / -strom Rated voltage / current Tension / intensité assignée	Einzelteile: Knüpfülle / Stecker Component parts: Insulator / Plug Pièces détachées : Capuchon isolant / Fiche	*Farben *Colours *Couleurs
---------------------	-------------------------------------	--	--	----------------------------------

<b>XL-459/30</b>	<b>66.9649-*</b>	1000 V, CAT II / max. 32 A	XKT-459/30, 66.1006-*/ XLS-459, 66.1007	<b>Ni</b> <span style="background-color: #ff0000; color: white; padding: 2px;">21</span> <span style="background-color: #ff00ff; color: white; padding: 2px;">22</span> <span style="background-color: #00ff00; color: white; padding: 2px;">23</span> <span style="background-color: #0000ff; color: white; padding: 2px;">24</span> <span style="background-color: #000000; color: white; padding: 2px;">25</span> <span style="background-color: #800080; color: white; padding: 2px;">26</span> <span style="background-color: #808000; color: white; padding: 2px;">27</span>
------------------	------------------	----------------------------	---	---

**SLS425-SE/M SLS425-SE SLS425-SE/N SLS425-SE/Q SLS425-SE/Q/N**



Stapelbare Ø 4 mm-Stecker mit federnder Kontaktlamelle für die Selbstmontage von Messleitungen. Mit starrer Isolierhülse. Vernickelte und vergoldete Versionen erhältlich.

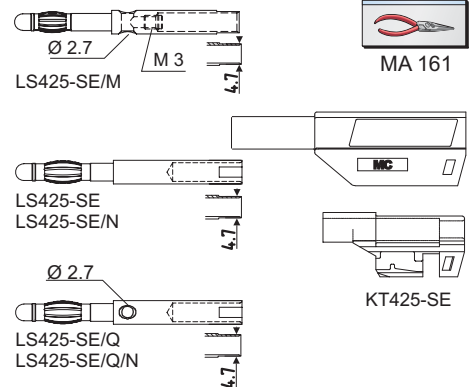
**Verschiedene Anschlussarten:**

- SLS425-SE/M: Schraubanschluss
- SLS425-SE(N): Zylindrische Lötfläche
- SLS425-SE(Q/N): Querloch für Lötanschluss

Stackable Ø 4 mm plugs with spring-loaded Multilam for self-assembly of test leads. With rigid insulating sleeve. Nickel-plated and gold-plated versions available.

**Various types of connection:**

- SLS425-SE/M: Screw connection
- SLS425-SE(N): Cylindrical soldering surface
- SLS425-SE(Q/N): Cross hole for solder connection



Fiches à lamelles Ø 4 mm à reprise arrière destinées à la confection de cordons de mesure. Protégées par un fourreau isolant rigide. Disponibles en versions dorée et nickelée.

**Différents types de raccords :**

- SLS425-SE/M : Raccord à visser
- SLS425-SE(N) : Plaque de soudure cylindrique
- SLS425-SE(Q/N) : Trou transversal pour soudure

Typ Type Type	Best.-Nr. Order No. N° de Cde	Bemessungsspannung / -strom Rated voltage / current Tension / intensité assignée	Einzelteile: Knüpfülle / Stecker Component parts: Insulator / Plug Pièces détachées : Capuchon isolant / Fiche	*Farben *Colours *Couleurs
---------------------	-------------------------------------	--	--	----------------------------------

<b>SLS425-SE/M</b>	<b>22.2656-*</b>	1000 V, CAT II / max. 32 A	KT425-SE, 22.2380-*/ LS425-SE/M, 22.1027	<b>Au</b> <span style="background-color: #00ff00; color: white; padding: 2px;">20</span> <span style="background-color: #ff0000; color: white; padding: 2px;">21</span> <span style="background-color: #ff00ff; color: white; padding: 2px;">22</span> <span style="background-color: #00ff00; color: white; padding: 2px;">23</span> <span style="background-color: #0000ff; color: white; padding: 2px;">24</span> <span style="background-color: #800080; color: white; padding: 2px;">25</span> <span style="background-color: #808000; color: white; padding: 2px;">26</span> <span style="background-color: #800000; color: white; padding: 2px;">27</span> <span style="background-color: #000000; color: white; padding: 2px;">28</span> <span style="background-color: #000000; color: white; padding: 2px;">29</span>
<b>SLS425-SE</b>	<b>22.2655-*</b>	1000 V, CAT II / max. 32 A	KT425-SE, 22.2380-*/ LS425-SE, 22.1047	<b>Au</b> <span style="background-color: #00ff00; color: white; padding: 2px;">20</span> <span style="background-color: #ff0000; color: white; padding: 2px;">21</span> <span style="background-color: #ff00ff; color: white; padding: 2px;">22</span> <span style="background-color: #00ff00; color: white; padding: 2px;">23</span> <span style="background-color: #0000ff; color: white; padding: 2px;">24</span> <span style="background-color: #800080; color: white; padding: 2px;">25</span> <span style="background-color: #808000; color: white; padding: 2px;">26</span> <span style="background-color: #800000; color: white; padding: 2px;">27</span> <span style="background-color: #000000; color: white; padding: 2px;">28</span> <span style="background-color: #000000; color: white; padding: 2px;">29</span>
<b>SLS425-SE/N</b>	<b>22.2654-*</b>	1000 V, CAT II / max. 32 A	KT425-SE, 22.2380-*/ LS425-SE/N, 22.1048	<b>Ni</b> <span style="background-color: #00ff00; color: white; padding: 2px;">20</span> <span style="background-color: #ff0000; color: white; padding: 2px;">21</span> <span style="background-color: #ff00ff; color: white; padding: 2px;">22</span> <span style="background-color: #00ff00; color: white; padding: 2px;">23</span> <span style="background-color: #0000ff; color: white; padding: 2px;">24</span> <span style="background-color: #800080; color: white; padding: 2px;">25</span> <span style="background-color: #808000; color: white; padding: 2px;">26</span> <span style="background-color: #800000; color: white; padding: 2px;">27</span> <span style="background-color: #000000; color: white; padding: 2px;">28</span> <span style="background-color: #000000; color: white; padding: 2px;">29</span>
<b>SLS425-SE/Q</b>	<b>22.2658-*</b>	1000 V, CAT II / max. 32 A	KT425-SE, 22.2380-*/ LS425-SE/Q, 22.1203	<b>Au</b> <span style="background-color: #00ff00; color: white; padding: 2px;">20</span> <span style="background-color: #ff0000; color: white; padding: 2px;">21</span> <span style="background-color: #ff00ff; color: white; padding: 2px;">22</span> <span style="background-color: #00ff00; color: white; padding: 2px;">23</span> <span style="background-color: #0000ff; color: white; padding: 2px;">24</span> <span style="background-color: #800080; color: white; padding: 2px;">25</span> <span style="background-color: #808000; color: white; padding: 2px;">26</span> <span style="background-color: #800000; color: white; padding: 2px;">27</span> <span style="background-color: #000000; color: white; padding: 2px;">28</span> <span style="background-color: #000000; color: white; padding: 2px;">29</span>
<b>SLS425-SE/Q/N</b>	<b>22.2657-*</b>	1000 V, CAT II / max. 32 A	KT425-SE, 22.2380-*/ LS425-SE/Q/N, 22.1204	<b>Ni</b> <span style="background-color: #00ff00; color: white; padding: 2px;">20</span> <span style="background-color: #ff0000; color: white; padding: 2px;">21</span> <span style="background-color: #ff00ff; color: white; padding: 2px;">22</span> <span style="background-color: #00ff00; color: white; padding: 2px;">23</span> <span style="background-color: #0000ff; color: white; padding: 2px;">24</span> <span style="background-color: #800080; color: white; padding: 2px;">25</span> <span style="background-color: #808000; color: white; padding: 2px;">26</span> <span style="background-color: #800000; color: white; padding: 2px;">27</span> <span style="background-color: #000000; color: white; padding: 2px;">28</span> <span style="background-color: #000000; color: white; padding: 2px;">29</span>