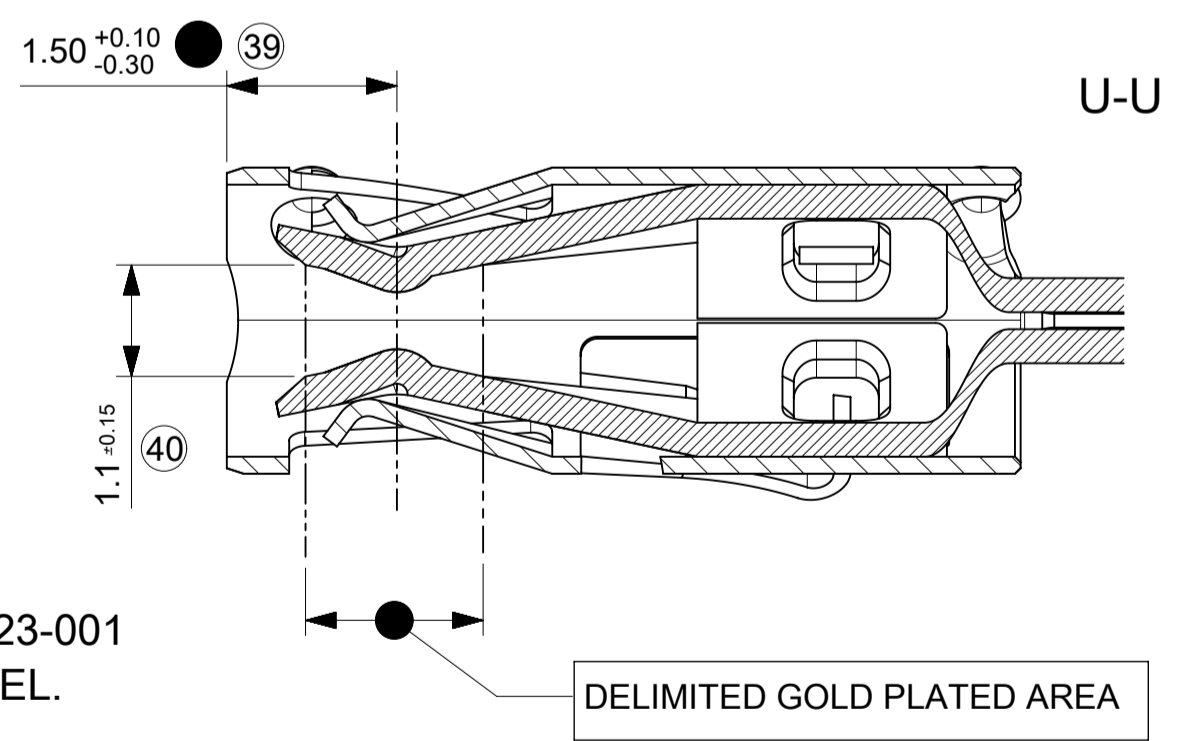


**NOTE:**  
 - APPLICATION SPECIFICATION ACCORDING TO AS-64323-001  
 - ALL DIMENSIONS ARE TAKE OVER FROM THE 3D MODEL.



(SKC)	COTES CARACTERISTIQUES SPECIALES SPECIAL KEY CHARACTERISTICS
☒	INDICATION DIMENSIONS S.P.C DENOTES S.P.C DIMENSIONS
⊗	INDICATION DIMENSIONS CRITIQUES DENOTES CRITICAL DIMENSIONS
●	INDICATION DIMENSIONS FONCTIONNELLES DENOTES FUNCTIONAL DIMENSIONS
☒ 1	QUANTITE PAR FEUILLE INDIVIDUELLE QUANTITY PER INDIVIDUAL SHEET
⊗ 0	
● 4	
(SKC) 0	

2	BOX TERMINAL	STAINLESS STEEL thickness : 0.15 mm
1	BODY TERMINAL	HIGH CONDUCTIVITY COPPER ALLOY thickness : 0.3 mm
MARK	DESIGNATION	MATERIAL

0643231029	Sn	Sn		0.50 TO 1	3.1	2.8	0.575	3.25	3.45	0.95	0.15	0.2420
0643231319	Au 1.27µ MINI	Sn	Ni									0.2442
0643231039	Sn	Sn		>1 TO 2	3.7	3.3	0.9	3.95	4.15	1.15	0.3	0.2580
0643231219	Au 1.27µ MINI	Sn	Ni									0.2602
MATERIAL NUMBER	CONTACT AREA	CRIMPING AREA	UNDERLAYER	CRIMPING RANGE (mm2)	A±0.3	B±0.3	rC±0.2	D±0.3	E±0.3	rF±0.2	G ±0.1	WEIGHT (g)
	PLATING											

THIS DRAWING CONTAINS INFORMATION THAT IS PROPRIETARY TO MOLEX ELECTRONIC TECHNOLOGIES, LLC AND SHOULD NOT BE USED WITHOUT WRITTEN PERMISSION

DIMENSION UNITS	SCALE	CURRENT REV	DESC
MM	15:1		NX RE-MASTERING
GENERAL TOLERANCES (UNLESS SPECIFIED)			
ANGULAR TOL	± 2.0°	EC NO: 114689	
4 PLACES	± 0.1	DRWN:	GMANIVANNAN 2018/03/15
3 PLACES	± 0.1	CHK'D:	SLAFAURE 2018/06/04
2 PLACES	± 0.1	APPR:	SLAFAURE 2018/06/14
1 PLACE	± 0.1	INITIAL REVISION:	
0 PLACES	± 0.1	DRWN:	VGUERIN 2007/11/07
		APPR:	LSTICKEIR 2007/11/07
DRAFT WHERE APPLICABLE MUST REMAIN WITHIN DIMENSIONS	FIRST ANGLE PROJECTION	DRAWING	SERIES
		A1-SIZE	64323
		SEE CHART	GENERAL MARKET

**molex**  
CP RCPT TRM 1.5

PRODUCT CUSTOMER DRAWING

DOCUMENT NUMBER	DOC TYPE	DOC PART	REVISION
SD-64323-001	PSD	000	C1
MATERIAL NUMBER	CUSTOMER	SHEET NUMBER	
		1 OF 1	