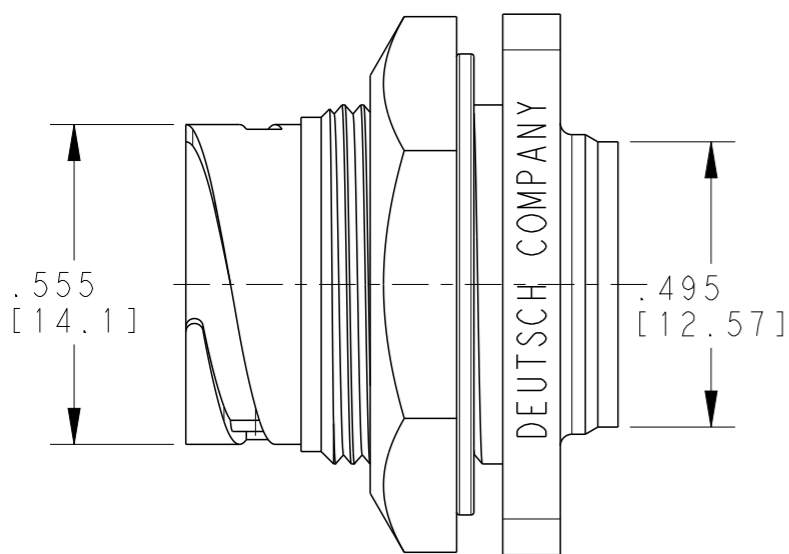


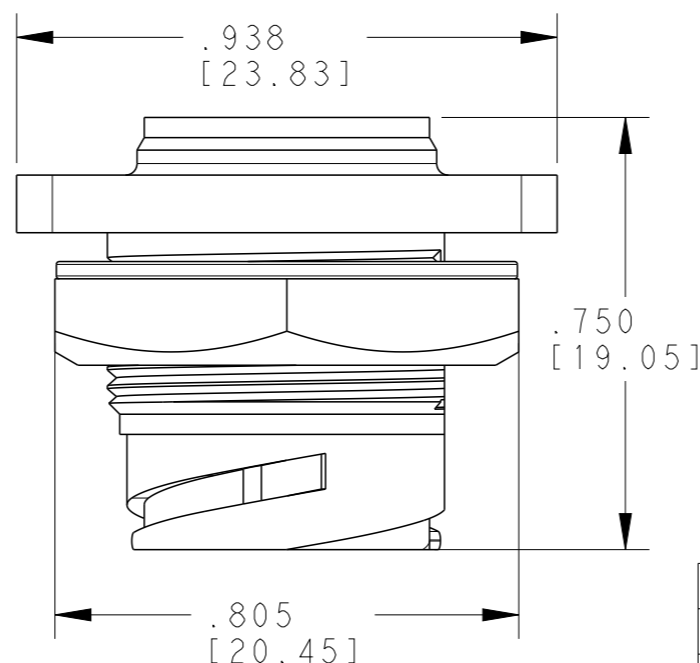
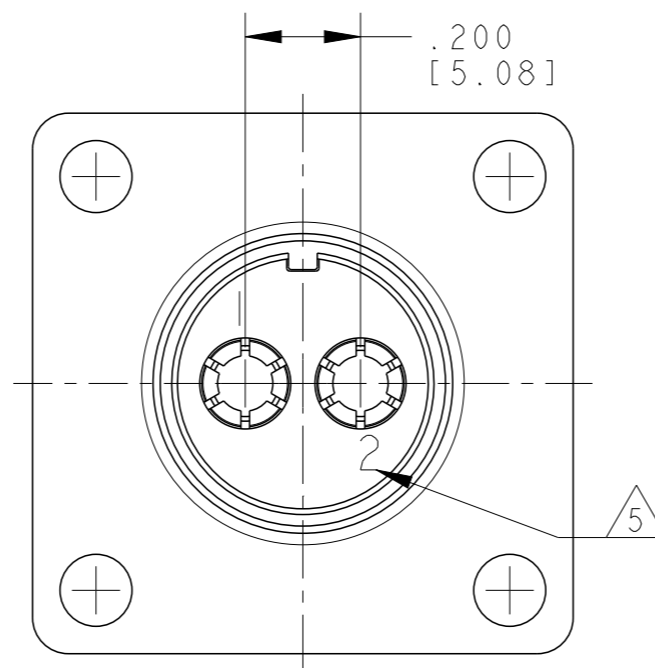
REVISIONS

P	LTR	DESCRIPTION	DATE	DWN	APVD
	A	INITIAL RELEASE	24MAY2017	AP	PV

IMC24-1602X AS SHOWN:



SCALE 3:1

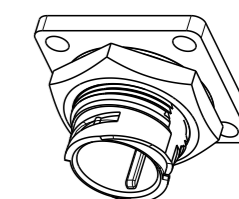


NOTES

- 1. TE ORDER NUMBER
- 2. BULK PACKAGING IN CORRUGATED BOX.
- 3. INSERT ARRANGEMENT SEE PAGE 2.
- 4. PN SUFFIX "X" = SHIPPED WITH CONTACTS
- 5. CAVITY NUMBERING
- 6. SUITABLE COUNTERPART:

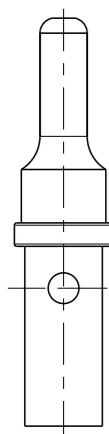
RECEPTACLE (FLANGE)	PLUG
IMC24-1602X	IMC26-1602X
IMC24-2005X	IMC26-2005X
IMC24-2007X	IMC26-2007X
IMC24-2212X	IMC26-2212X

7. ALSO AVAILABLE AS PCB VERSION ON SUITABLE CONTACT (IMC24-2212P-984T) ON REQUEST.



SCALE 1:1

SUITABLE CONTACT:
6860-201-16278
SIZE-16, (2X)



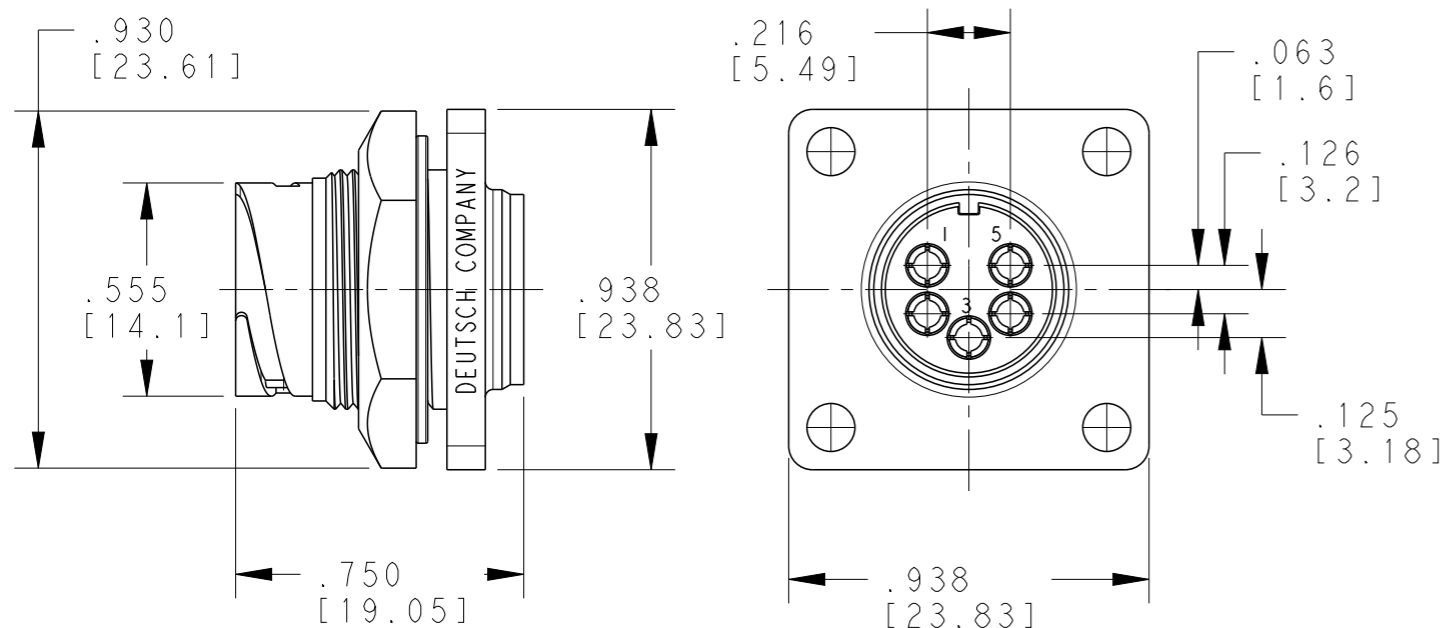
CONTACTS SIZE	DESCRIPTION	PART NO
22	IMC 200 SERIES FLANGE RECEPTACLE 12 WAY	IMC24-2212X
20	IMC 200 SERIES FLANGE RECEPTACLE 7 WAY	IMC24-2007X
20	IMC 200 SERIES FLANGE RECEPTACLE 5 WAY	IMC24-2005X
16	IMC 200 SERIES FLANGE RECEPTACLE 2 WAY	IMC24-1602X

THIS DRAWING IS A CONTROLLED DOCUMENT.		DWN AJITH PAI 20MAY2017														
DIMENSIONS: in [mm]		CHK PRAVEENA V 22MAY2017														
TOLERANCES UNLESS OTHERWISE SPECIFIED:		APVD C FINZER 22MAY2017														
<table border="0"> <tr> <td>0 PLC</td> <td>±-</td> </tr> <tr> <td>1 PLC</td> <td>±-</td> </tr> <tr> <td>2 PLC</td> <td>±-</td> </tr> <tr> <td>3 PLC</td> <td>±.025</td> </tr> <tr> <td>4 PLC</td> <td>±-</td> </tr> <tr> <td>ANGLES</td> <td>±1°</td> </tr> </table>		0 PLC	±-	1 PLC	±-	2 PLC	±-	3 PLC	±.025	4 PLC	±-	ANGLES	±1°	PRODUCT SPEC -	NAME IMC 200 SERIES RECEPTACLE FLANGE MOUNTING ASSY	
0 PLC	±-															
1 PLC	±-															
2 PLC	±-															
3 PLC	±.025															
4 PLC	±-															
ANGLES	±1°															
MATERIAL -		FINISH -	APPLICATION SPEC -	SIZE A3												
		WEIGHT 9.6 g	CAGE CODE -	DRAWING NO C-IMC24-XXXXX												
		CUSTOMER DRAWING	SCALE 4:1	SHEET 1 OF 3												
				RESTRICTED TO -												
				REV A												

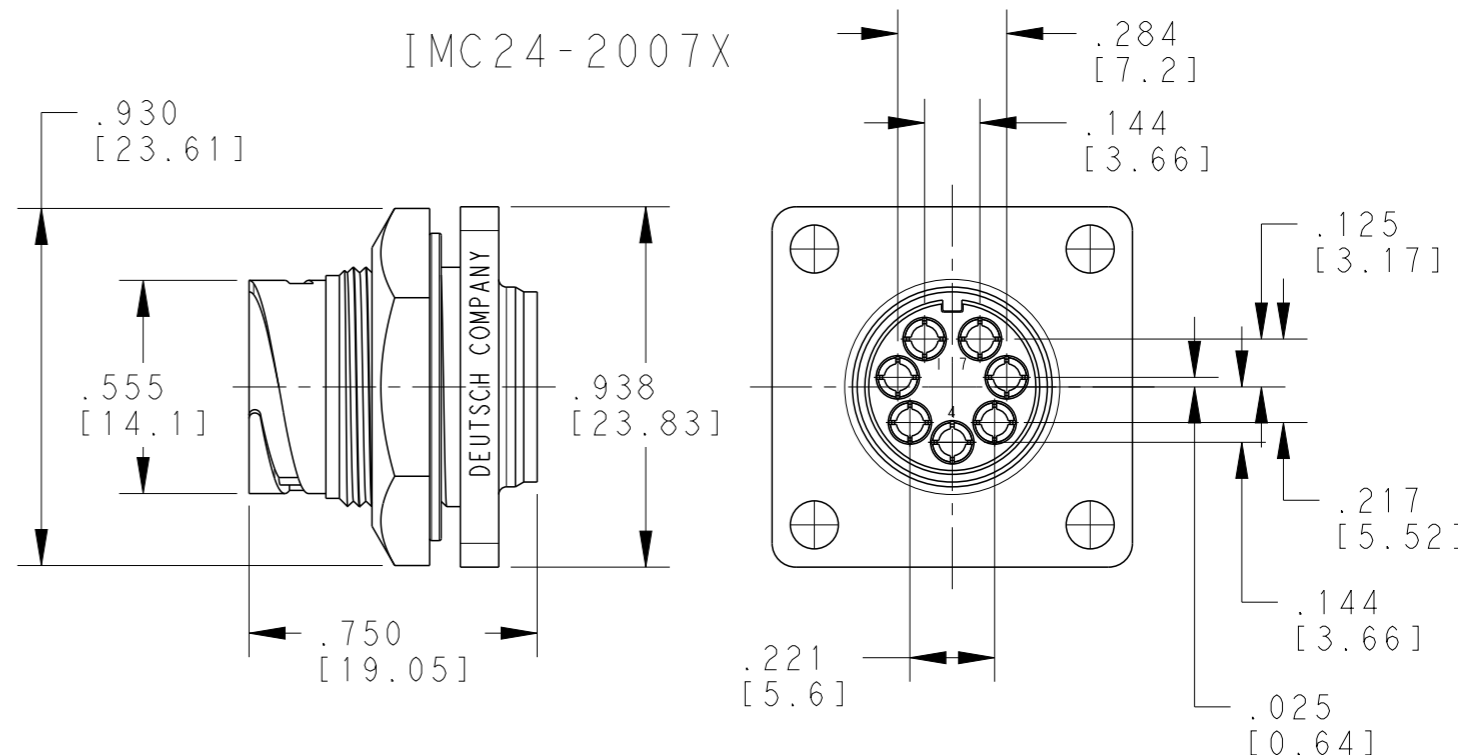
REVISIONS

P	LTR	DESCRIPTION	DATE	DWN	APVD
-	-	SEE SHEET 1	-	-	-

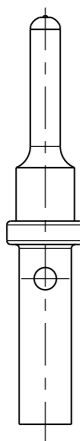
IMC24-2005X



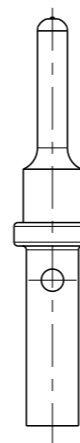
IMC24-2007X



SUITABLE CONTACT:
6860-201-20278
SIZE-20 (5X)



SUITABLE CONTACT:
6860-201-20278
SIZE-20 (7X)



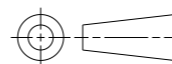
THIS DRAWING IS A CONTROLLED DOCUMENT.

DWN 20MAY2017
AJITH PAI
CHK 22MAY2017
PRAVEENA V
APVD 22MAY2017
C FINZER



NAME
IMC 200 SERIES RECEPTACLE FLANGE
MOUNTING ASSY

DIMENSIONS:
in [mm]



TOLERANCES UNLESS OTHERWISE SPECIFIED:

0 PLC	±-
1 PLC	±-
2 PLC	±-
3 PLC	±.025
4 PLC	±-
ANGLES	±1°
FINISH	-

MATERIAL

-

PRODUCT SPEC

APPLICATION SPEC

WEIGHT

9.6 g

CUSTOMER DRAWING

SIZE	CAGE CODE	DRAWING NO	RESTRICTED TO
------	-----------	------------	---------------

A3

-

©-IMC24-XXXXX

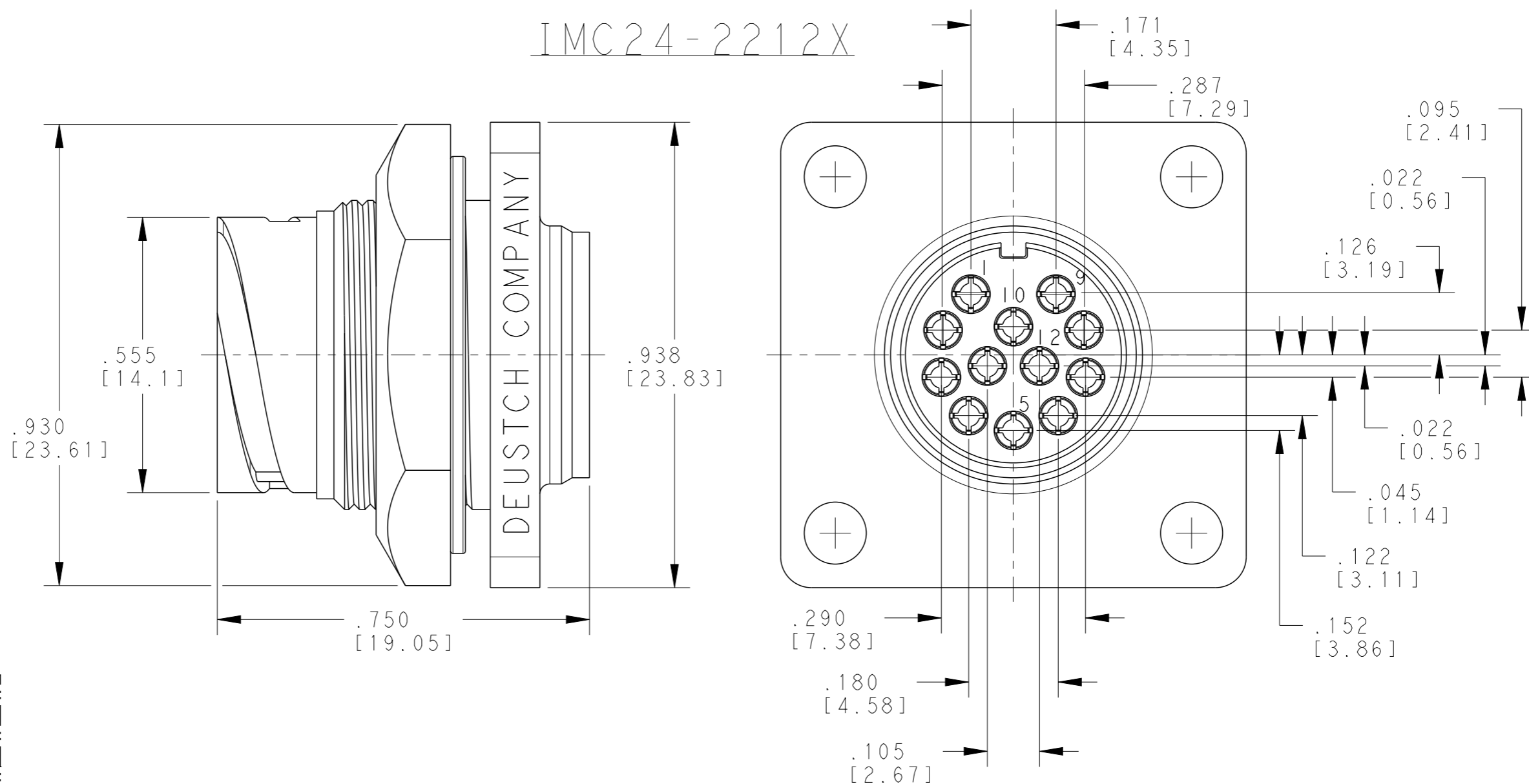
-

SCALE 5:1 SHEET 2 OF 3 REV A

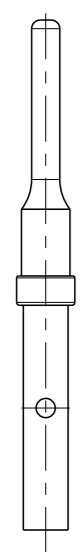
REVISIONS


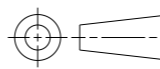
P	LTR	DESCRIPTION	DATE	DWN	APVD
-		SEE SHEET 1	-	-	-

IMC24-2212X



SUITABLE CONTACT:
 6860-201-22278
 SIZE-22 (12X)



THIS DRAWING IS A CONTROLLED DOCUMENT.		DWN	20MAY2017		 TE Connectivity
		CHK	22MAY2017		
		APVD	22MAY2017		
		PRODUCT SPEC	C FINZER		
DIMENSIONS: in [mm]		TOLERANCES UNLESS OTHERWISE SPECIFIED:		NAME IMC 200 SERIES RECEPTACLE FLANGE MOUNTING ASSY	
		0 PLC	±-	SIZE	
		1 PLC	±-	A3	CAGE CODE
		2 PLC	±-	-	DRAWING NO
		3 PLC	±.025	-	©-IMC24-XXXXX
		4 PLC	±-	WEIGHT	RESTRICTED TO
		ANGLES	±1°	9.6 g	-
MATERIAL		FINISH	-	CUSTOMER DRAWING	SCALE
			-		4:1
			-		SHEET
			-		3 OF 3
			-		REV
			-		A