

THIS DRAWING IS UNPUBLISHED.

RELEASED FOR PUBLICATION

2017

© COPYRIGHT 2017 BY - TE CONNECTIVITY

ALL RIGHTS RESERVED.

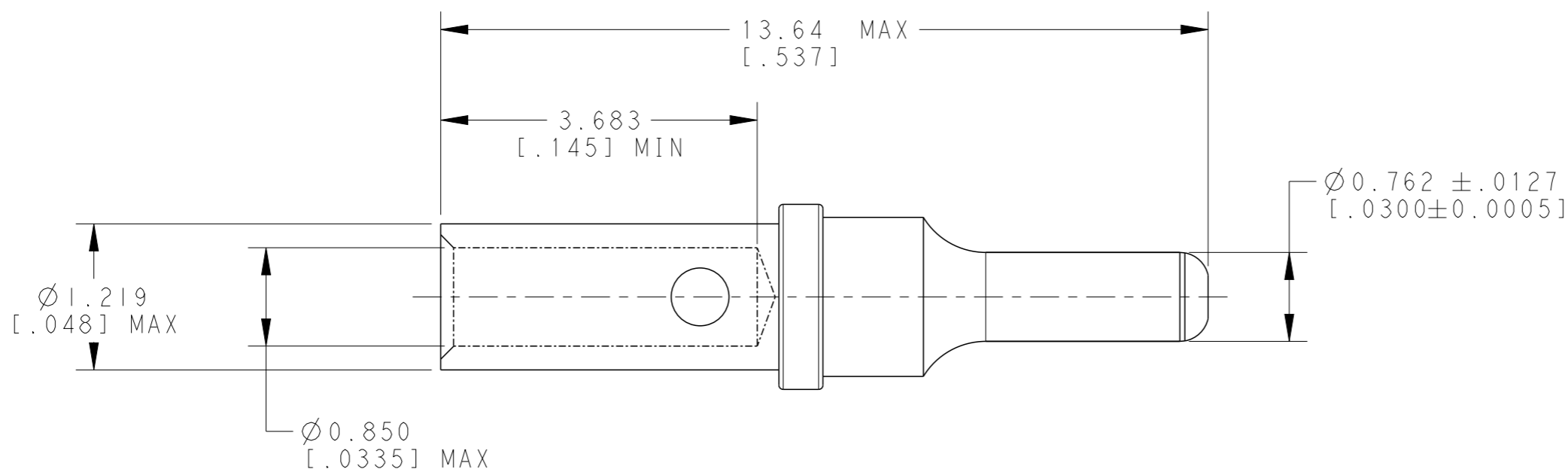
REVISIONS

P	LTR	DESCRIPTION	DATE	DWN	APVD
	A	NEW DRAWING	11JUL2017	AP	VP

NOTES:

1 MATERIAL: CONTACT BODY - COPPER ALLOY

2 FINISH: CONTACT BODY - GOLD OVER NICKEL PLATED.



M81969/14-01	4.064 TO 4.826 [.160] TO [.190]	22,24,26	22D	6860-201-22278
INSERTION/REMOVAL TOOL	RECOMMENDED STRIP LENGTH	WIRE GAGE RANGE	SIZE	DEUTSCH PART NO.

THIS DRAWING IS A CONTROLLED DOCUMENT.

DWN: 12JUN2017, AJITH PAI V
 CHK: 12JUN2017, PRAVEENA V
 APVD: 12JUN2017, V V BIDI

TE Connectivity

NAME: PIN-CONTACT SIZE 22 IMC / QC-SERIES.

PRODUCT SPEC, APPLICATION SPEC

SIZE: A3, CAGE CODE: 00779, DRAWING NO: 6860-201-22278, RESTRICTED TO: C

WEIGHT: 0.1 (g)

CUSTOMER DRAWING, SCALE: 10:1, SHEET: 1 OF 1, REV: A

DIMENSIONS: mm [inches]	TOLERANCES UNLESS OTHERWISE SPECIFIED:
	0 PLC ± 1 PLC ± 2 PLC ± 3 PLC ±.025 4 PLC ± ANGLES ±
MATERIAL	FINISH
1	2