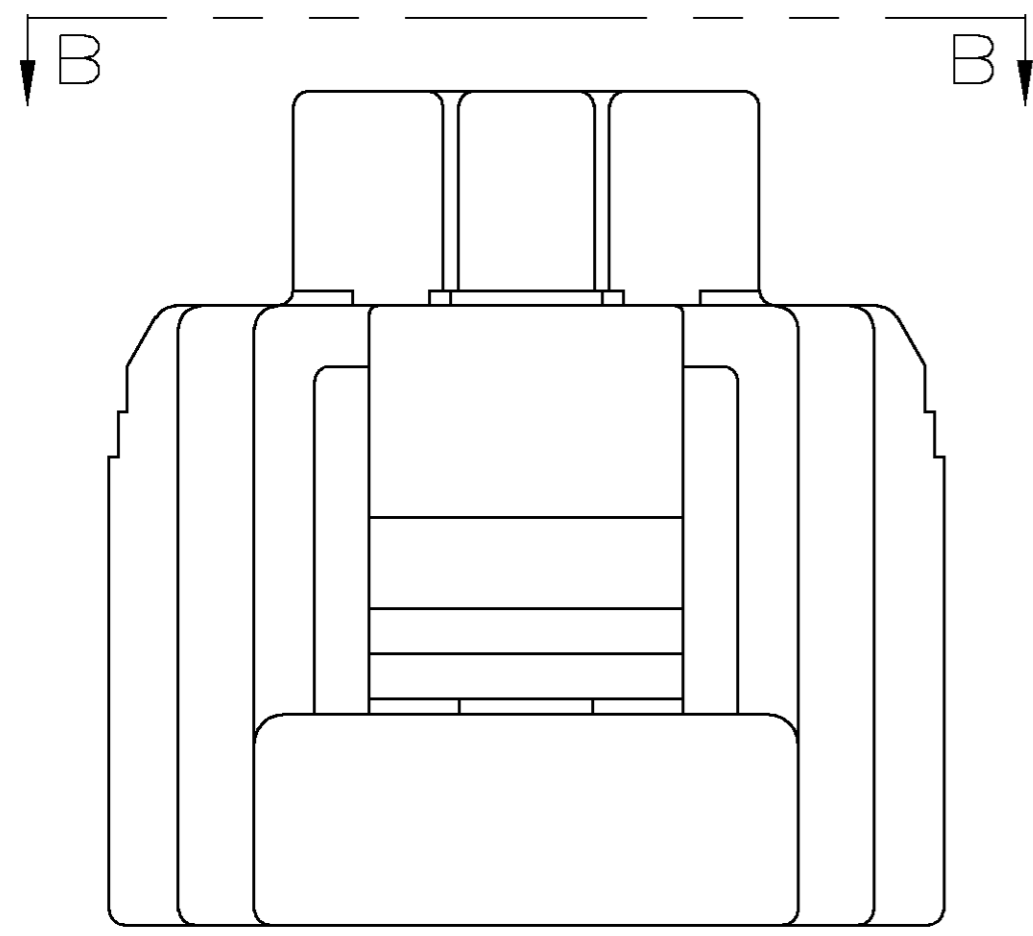
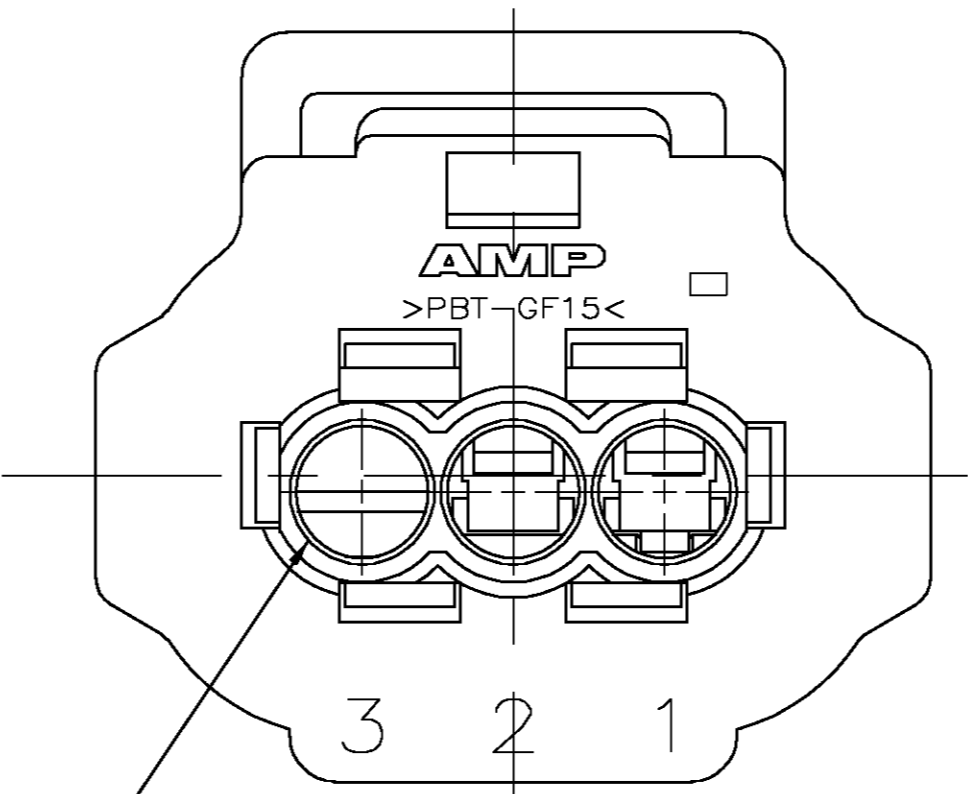


THIS DRAWING IS UNPUBLISHED. RELEASED FOR PUBLICATION
 © COPYRIGHT BY TYCO ELECTRONICS CORPORATION. ALL RIGHTS RESERVED.

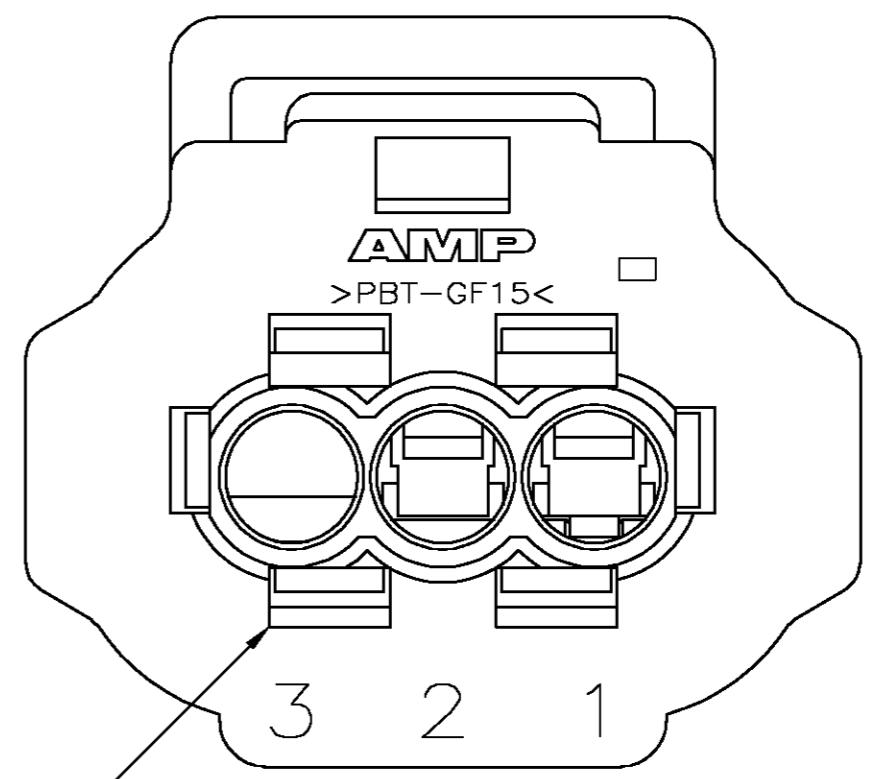
LOC	DIST	REVISIONS			
P	LTR	DESCRIPTION	DATE	DWN	APVD
GE	00	F	REVISED PER EC OK40-0387-04	19NOV2004	DLD KLK



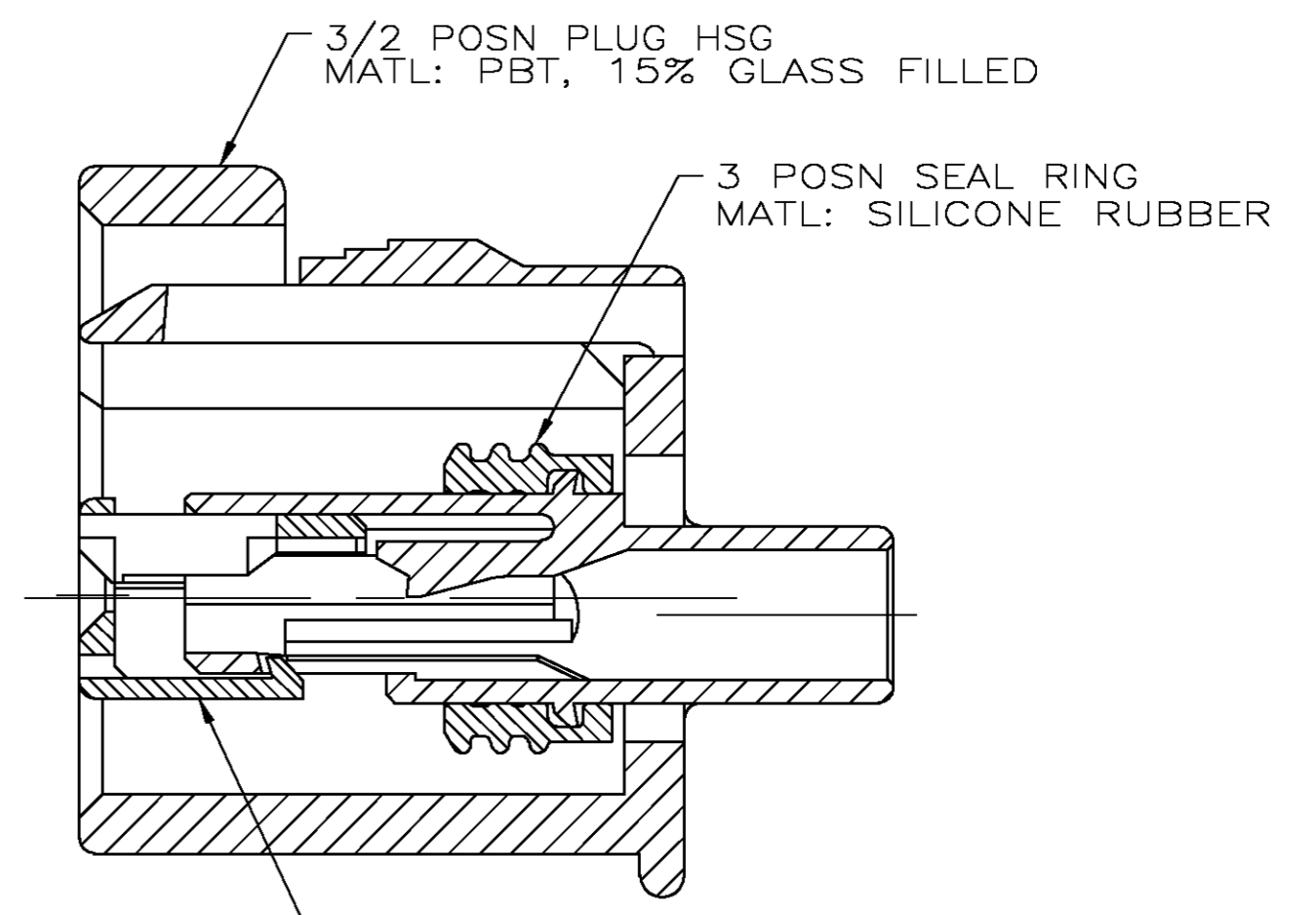
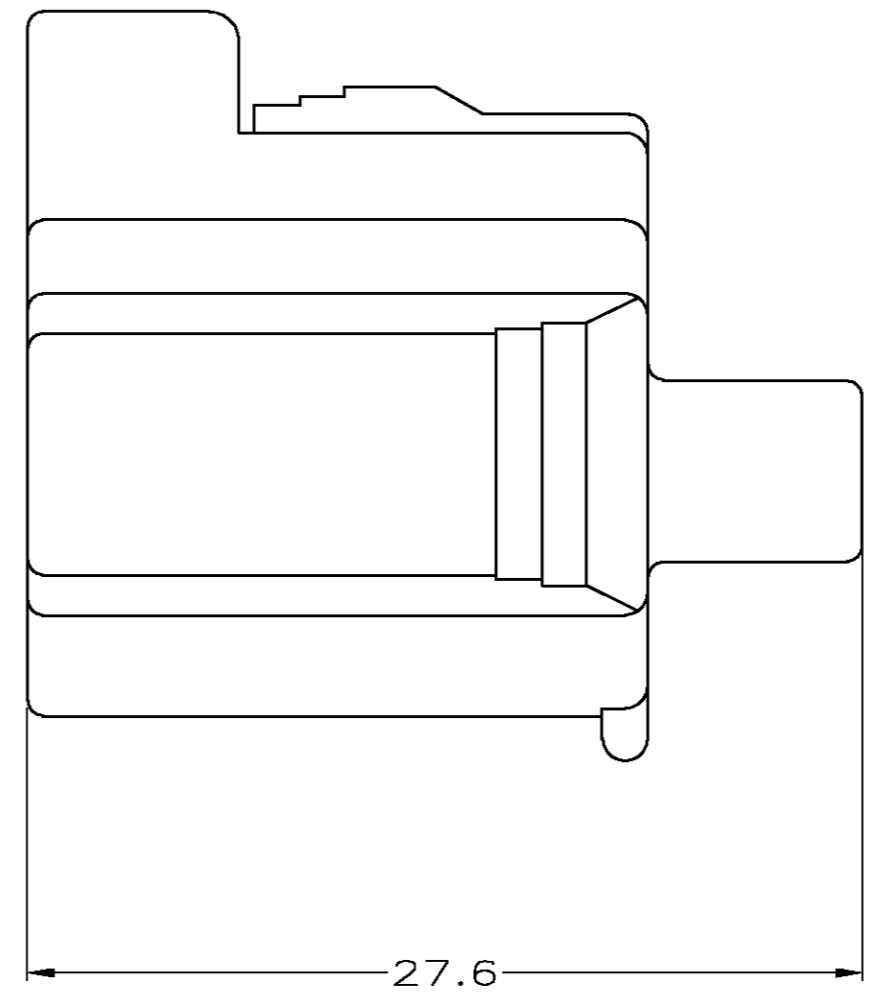
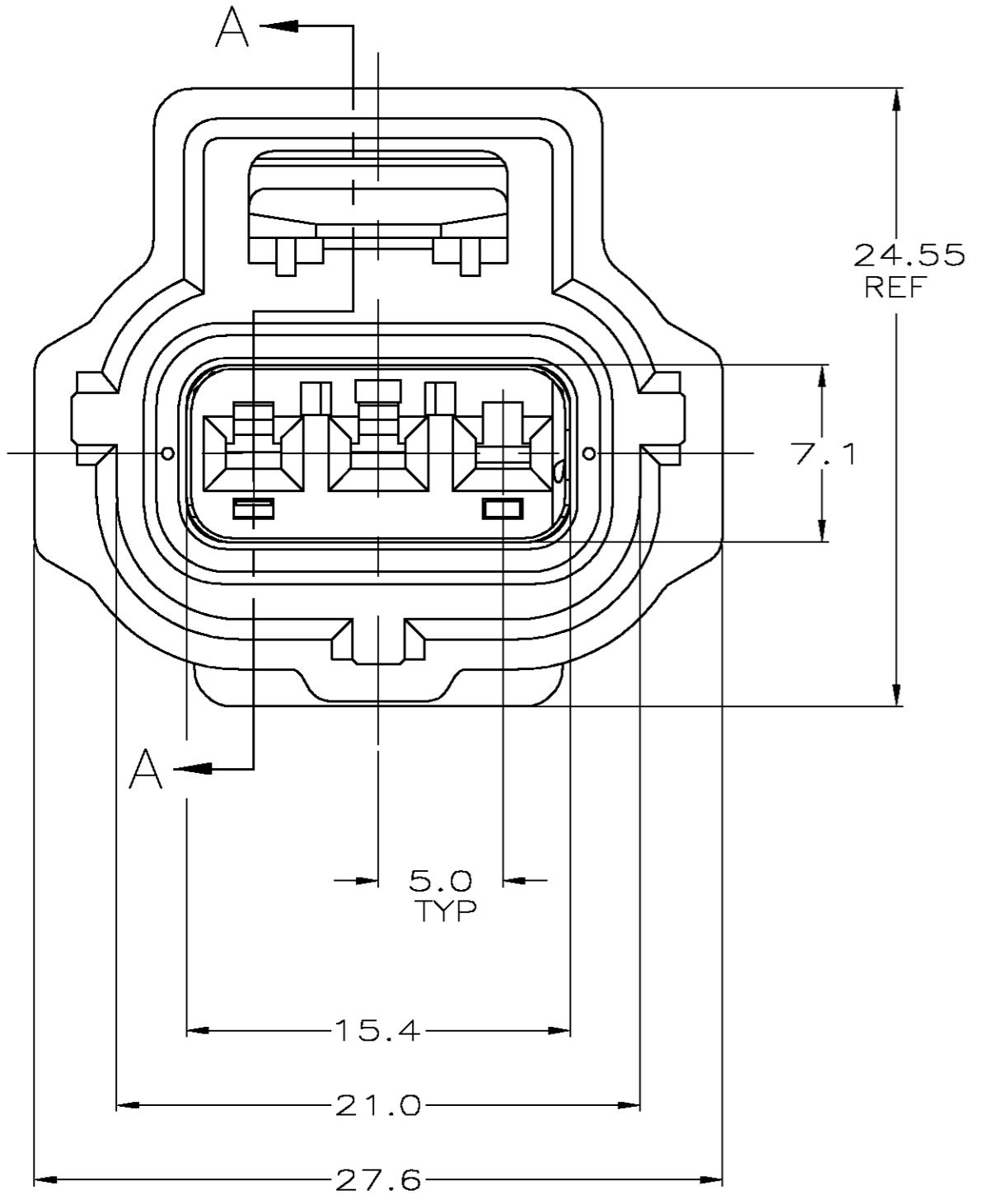
BLOCKED CIRCUIT



VIEW B-B



OPTIONAL CORING
2 PLACES



SECTION A-A
SCALE 4:1

184311-1
PART NUMBER

THIS DRAWING IS A CONTROLLED DOCUMENT.		DWN K. WISE 04FEB98	Tyco Electronics Corporation Harrisburg, PA 17105-3608	
DIMENSIONS: MM		CHK E. OSWANDEL 24FEB98	NAME	
TOLERANCES UNLESS OTHERWISE SPECIFIED:		APVD E. OSWANDEL 24FEB98	PRODUCT SPEC	
0 PLC ± - 1 PLC ± 0.3 2 PLC ± - 3 PLC ± - 4 PLC ± - ANGLES ± 1° FINISH -		APPLICATION SPEC	1 X 3B PLUG ASSEMBLY KEY A-C3	
MATERIAL		WEIGHT	SIZE A2	CAGE CODE 00779
		CUSTOMER DRAWING	DRAWING NO C=184311	RESTRICTED TO
		SCALE 4:1	SHEET 1 OF 1	REV F