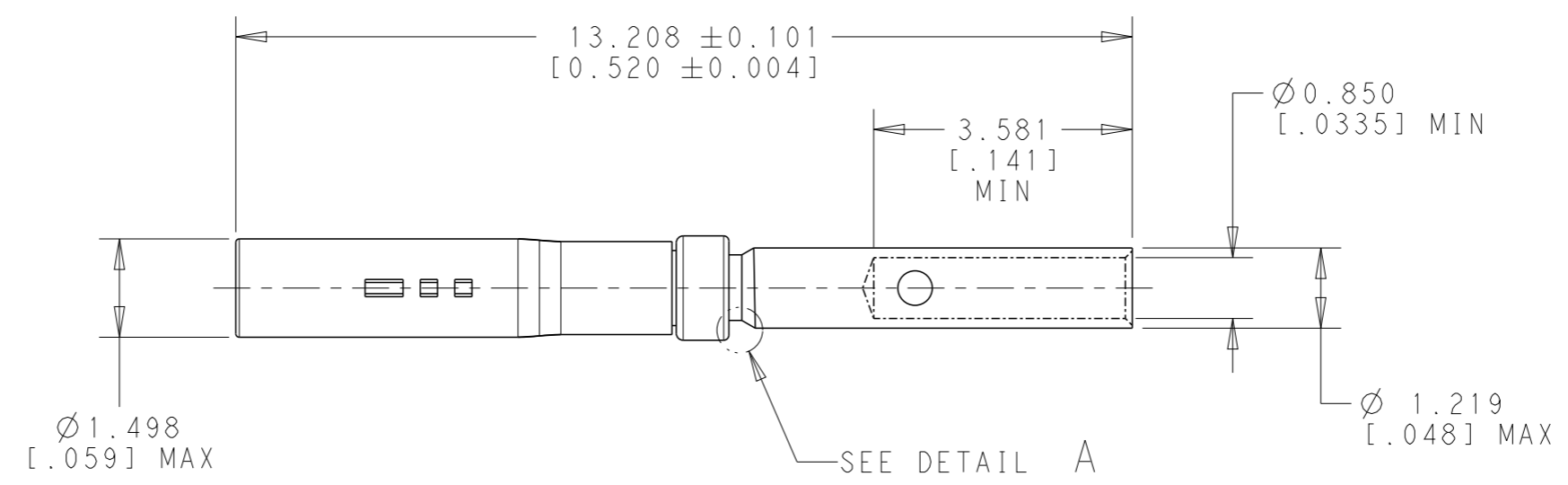
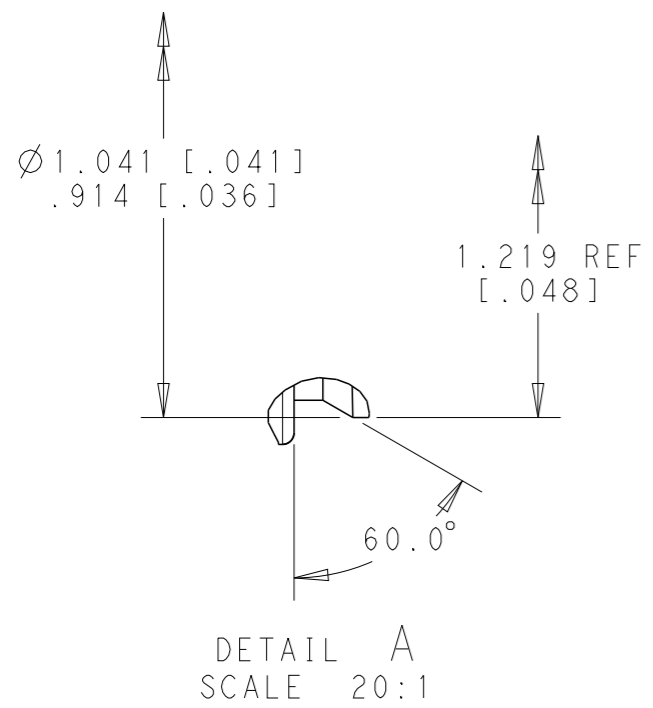


THIS DRAWING IS UNPUBLISHED. RELEASED FOR PUBLICATION 2017  
 © COPYRIGHT 2017 BY - TE CONNECTIVITY ALL RIGHTS RESERVED.

REVISIONS					
P	LTR	DESCRIPTION	DATE	DWN	APVD
	C	NEW DRAWING	12JUL2017	AP	CF

NOTES:

- ① MATERIAL - SOCKET CONTACT BODY: COPPER ALLOY  
SLEEVE: STAINLESS STEEL
- ② FINISH - CONTACT BODY: GOLD OVER NICKEL PLATED  
SLEEVE: PASSIVATED



M81969/14-01	4.064 4.826 [.160] TO [.190]	22, 24, 26	22D	6862-201-22278
INSERTION/REMOVAL TOOL	RECOMMENDED STRIP LENGTH	WIRE GAGE RANGE	SIZE	CONTACT DEUTSCH PART NUMBER

THIS DRAWING IS A CONTROLLED DOCUMENT.		DWN AJITH PAI 12JUN2017	TE Connectivity		
DIMENSIONS: mm [inches]		CHK PRAVEENA V 12JUN2017			
TOLERANCES UNLESS OTHERWISE SPECIFIED:		APVD C FINZER 12JUN2017	NAME SOCKET-CONTACT, SIZE 22 IMC AND QC-SERIES		
		PRODUCT SPEC	RESTRICTED TO		
0 PLC ± 1 PLC ± 2 PLC ± 3 PLC ±.025 4 PLC ± ANGLES ±° 30' 0"		APPLICATION SPEC	SIZE A3	CAGE CODE 00779	DRAWING NO 6862-201-22278
MATERIAL ①		FINISH ②	WEIGHT 0.1 (g)	SCALE 5:1 SHEET 1 OF 1 REV C	
CUSTOMER DRAWING			SCALE 5:1 SHEET 1 OF 1 REV C		