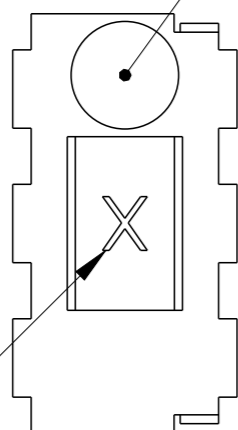


THIS DRAWING IS UNPUBLISHED. RELEASED FOR PUBLICATION 2013. ALL RIGHTS RESERVED.

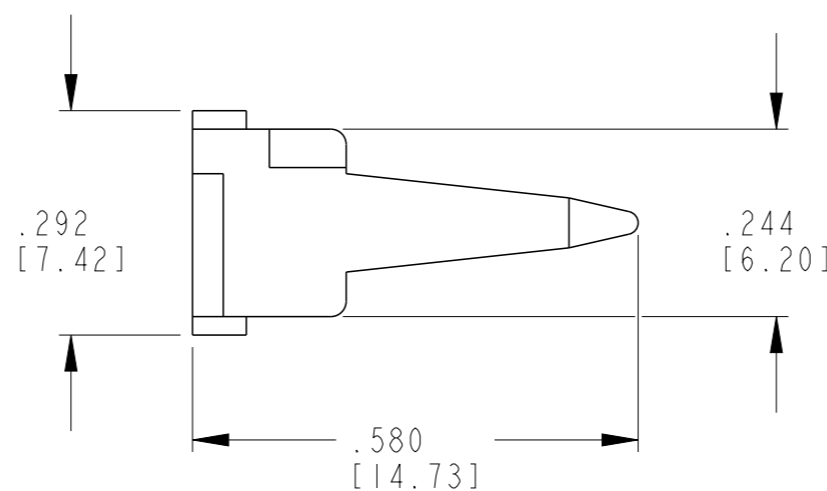
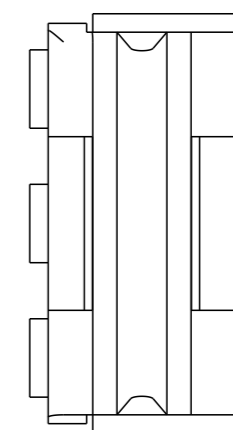
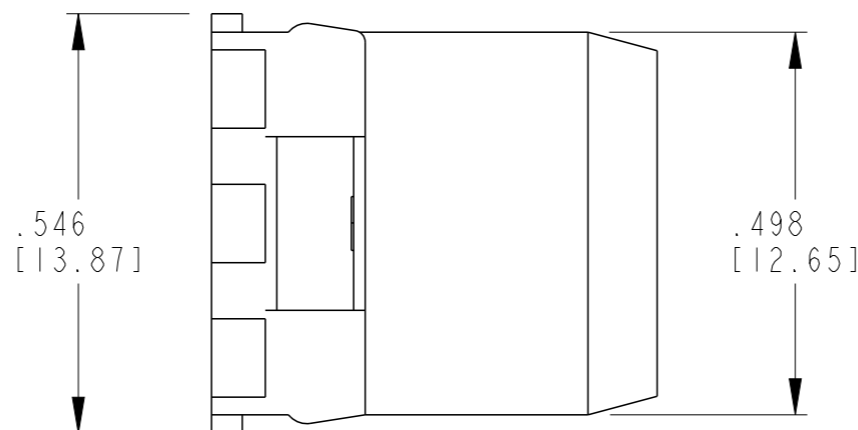
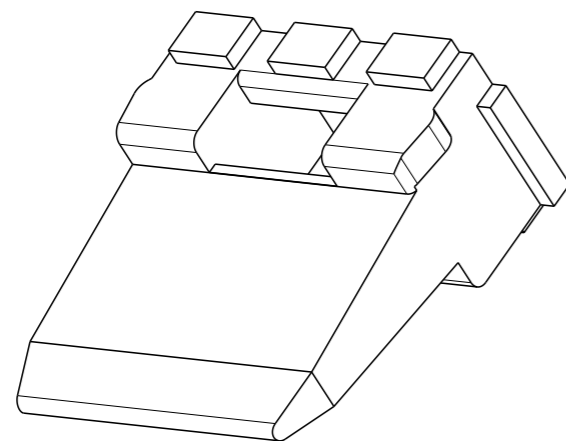
LOC	DIST
-	-

REVISIONS					
P	LTR	DESCRIPTION	DATE	DWN	APVD
	A	REVISED PER EO PI5887	2-15-99	-	RDR
	B	REVISED PER EO P21310	4-26-12	RLM	RDR
	C	REVISED PER ECO-13-013634	8-26-13	RLM	DM
	CI	REVISED PER ECO-14-005288	4-9-14	PV	DM

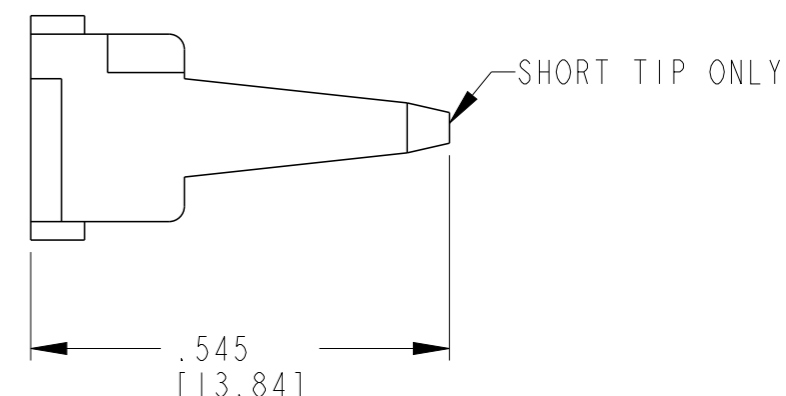
OPTIONAL GATE VESTIGE APPROX. AS SHOWN



CAVITY I.D. APPROX. AS SHOWN.



OPTIONAL CONFIGURATION



1. USED WITH DT04-6P-**** (**** = ALL MODIFICATIONS). CONSULT FACTORY FOR MODIFICATIONS AND APPLICATION.

THIS DRAWING IS A CONTROLLED DOCUMENT.		DWN R. MESSENGER 16AUG2013														
DIMENSIONS: INCHES [mm]		CHK R. MESSENGER 28MAR2014														
TOLERANCES UNLESS OTHERWISE SPECIFIED:		APVD D. MEYER 28MAR2014	NAME WEDGE LOCK 6 WAY RECEPTACLE DT SERIES													
<table border="1"> <tr><td>0 PLC</td><td>±-</td></tr> <tr><td>1 PLC</td><td>±-</td></tr> <tr><td>2 PLC</td><td>±-</td></tr> <tr><td>3 PLC</td><td>±0.010 [0.25]</td></tr> <tr><td>4 PLC</td><td>±-</td></tr> <tr><td>ANGLES</td><td>±0°30'0"</td></tr> </table>		0 PLC	±-	1 PLC	±-	2 PLC	±-	3 PLC	±0.010 [0.25]	4 PLC	±-	ANGLES	±0°30'0"	PRODUCT SPEC -	RESTRICTED TO -	
0 PLC	±-															
1 PLC	±-															
2 PLC	±-															
3 PLC	±0.010 [0.25]															
4 PLC	±-															
ANGLES	±0°30'0"															
MATERIAL PLASTIC GREEN		FINISH -	APPLICATION SPEC -	SIZE A3												
		WEIGHT 0.84 g	CAGE CODE 4AFU8	DRAWING NO G-W6P												
		CUSTOMER DRAWING	SCALE 4:1	SHEET 1 OF 1												
				REV CI												