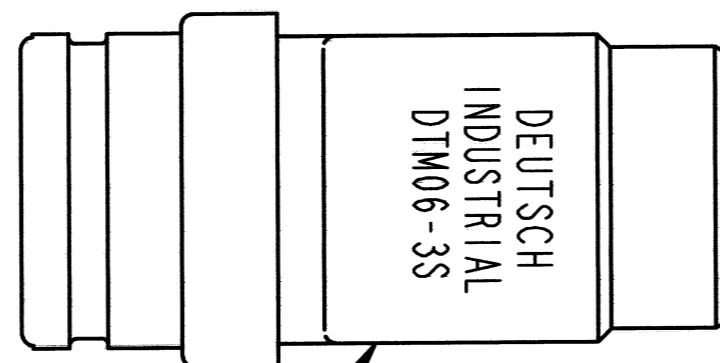
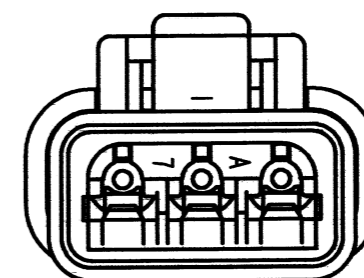
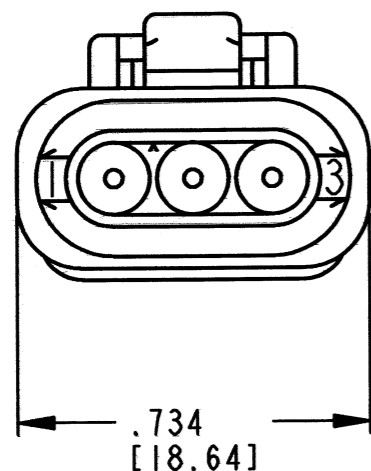
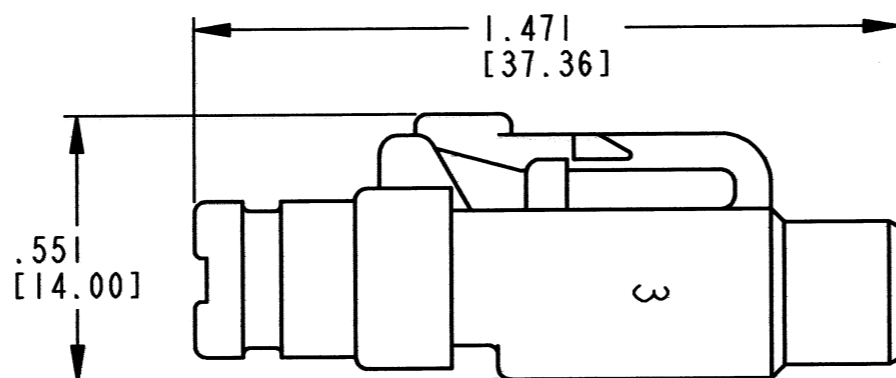
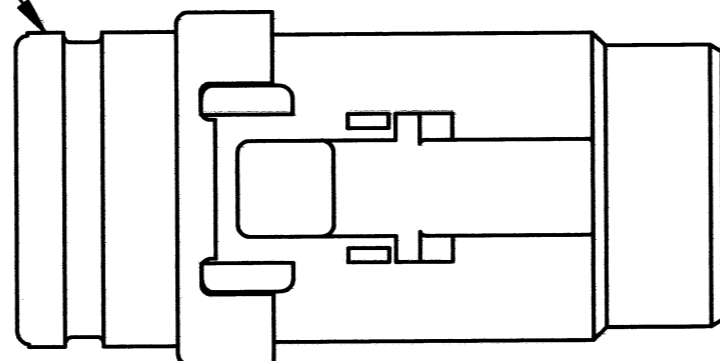


7  
SHRINK BOOT CAP



HOUSING

REV  
A  
DTM06-3S-E007

REVISIONS			
SYM	DESCRIPTION	DATE	APPROVED
NC	NEW RELEASE PER E.O. P15425	10-21-97	RDR
A	REVISED & REDRAWN PER E.O. P21371	5-29-12	RDR

7. PART MODIFICATION

6. MATERIAL - HOUSING/EXTENDED CAP: PLASTIC;  
GROMMET: RUBBER.

5. THIS PLUG MATES WITH DTM04-3P-\*\*\*\* RECEPTACLE.  
(\*\*\*\* = ALL MODIFICATIONS)

4. FOR CONTACT AND WIRE PERFORMANCE AND APPLICATION  
CHARACTERISTICS SEE ENVELOPE DRAWING 0425-015-0000.

3. SECONDARY WEDGE LOCK SOLD SEPARATELY: WM-3S.

2. DIMENSION TOLERANCE: ±.025 [.64].

1. DIMENSIONS ARE IN INCHES [mm].

NOTES: UNLESS OTHERWISE SPECIFIED

CONTACT SIZE	MIN. INSUL O.D. [mm]	MAX. INSUL O.D. [mm]	WIRE RANGE [mm <sup>2</sup> ] REF ONLY
20	.053 [1.35]	.120 [3.05]	16-22 AWG [1.0-0.5]

4

SIGNATURE & DATE	
DR	S. THEIS 9/16/97
CHK	B. Dwyer 5/24/2012
PE	R. Milligan 5-22-12
APPD	S. Baum 5/23/12
SCALE	NONE
WT	

**PLUG**  
**3 SIZE #20 CONTACTS**  
**-E007 MOD**  
**DTM SERIES**

ENVELOPE

EP	MATL. CODE
3850 INDUSTRIAL AVE. HEMET, CA 92545	
<b>DTM06-3S-E007</b>	
DWG SIZE	CODE 11139 SHEET   OF