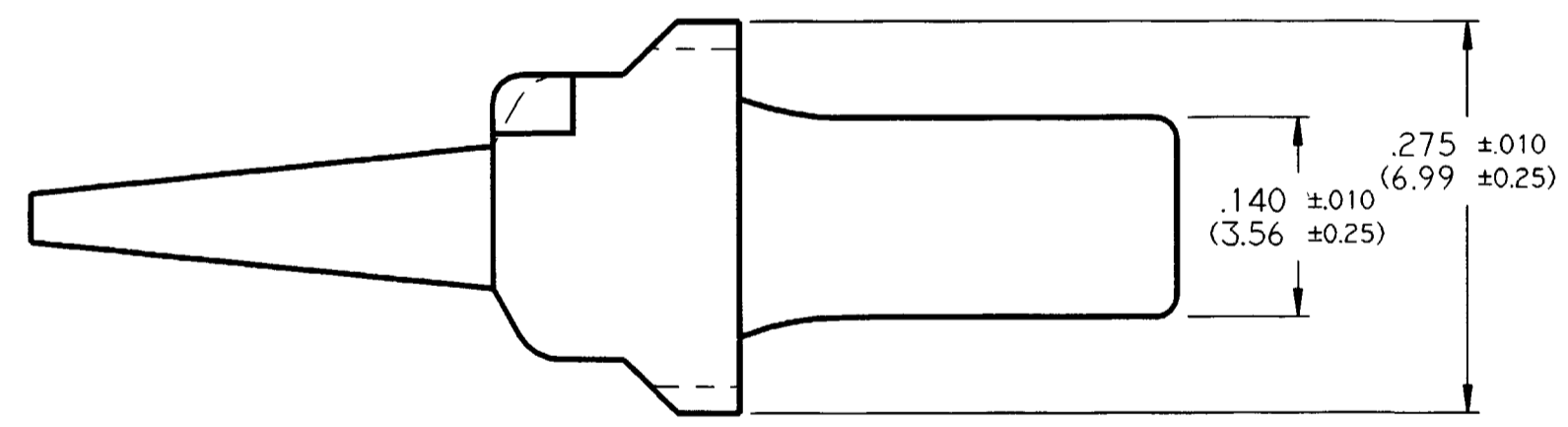
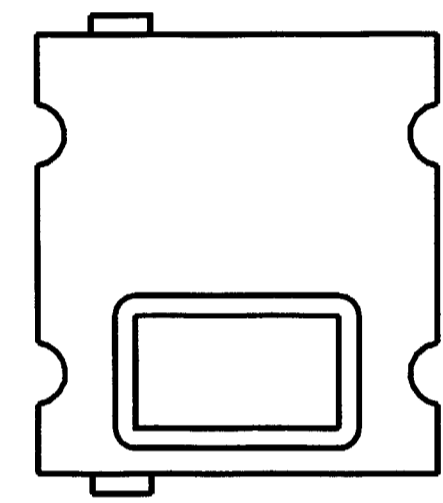
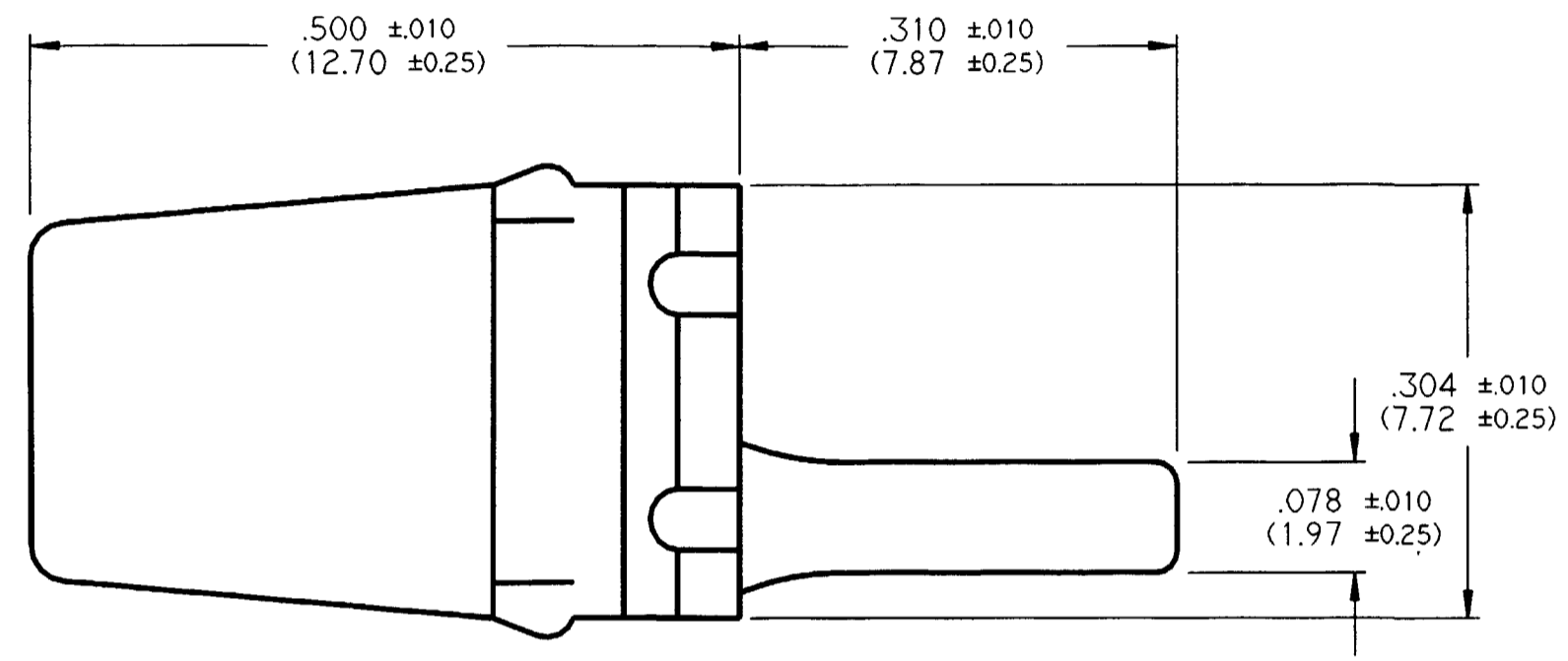


REV NC **WM - 4P**

REVISIONS			
SYM	DESCRIPTION	DATE	APPROVED
NC	NEW RELEASE PER E.O. A14914	10-27-95	RDR



NOTES:
 1. DIMENSIONS ARE IN INCHES (METRIC).
 2. DIMENSIONS ARE FOR REFERENCE ONLY.
 3. THIS PART MATES WITH DTM04-4P RECEPTACLE.
 4. COLOR = ORANGE.

SIGNATURE & DATE	
DR	V.TOMSA OCT-23-95
CHK	
PE	<i>Handwritten signature</i>
APPD	<i>Handwritten signature</i>
SCALE	8:1
WT	

**WEDGE LOCK FOR
 4 PIN RECPT.
 HOUSING
 DTM SERIES**

ENVELOPE

CP	MATL CODE
The Deutsch Company DEUTSCH IP.D. 37140 INDUSTRIAL AVE. HEMET, CALIF. 92343	
B	WM - 4P
DWG SIZE	CODE 11139 SHEET 1 OF 1