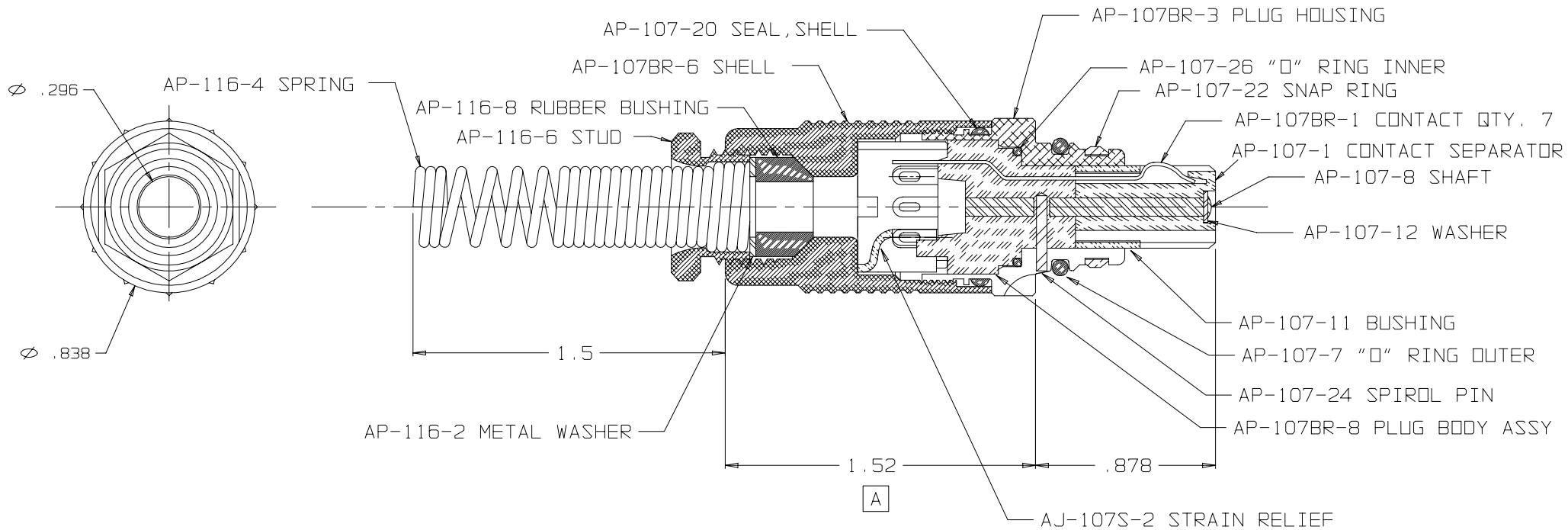


**B** AP-107BR

# PROPRIETARY-NEXUS



THIS DOCUMENT CONTAINS PROPRIETARY INFORMATION OF NEXUS, INCORPORATED AND SUCH INFORMATION MAY NOT BE DISCLOSED TO OTHERS FOR ANY PURPOSE OR USED FOR ANY PURPOSE WITHOUT THE WRITTEN CONSENT OF NEXUS.

DWN. BY M.N.F.	DATE 9/11/96	MATERIAL											
CHECKED BY L. SMITH	DATE 9/12/96	FINISH											
APPR. BY L. SMITH	DATE 9/12/96	WEIGHT	SCALE 2:1										
UNLESS OTHERWISE SPECIFIED DIMENSIONS ARE IN INCHES TOLERANCES ON FRACTIONS DECIMALS ANGLES		TITLE SEVEN CONDUCTOR AUDIO PLUG WITH SPRING BEND RELIEF											
		DO NOT SCALE DWG.	SHEET 1 OF 1										
<table border="1"> <tr> <td>A</td> <td>WAS 1.40</td> <td>0242</td> <td>9/23/96</td> <td>L.S.</td> </tr> <tr> <td>LET.</td> <td>REVISION</td> <td>CN #</td> <td>DATE</td> <td>CHK.</td> </tr> </table>		A	WAS 1.40	0242	9/23/96	L.S.	LET.	REVISION	CN #	DATE	CHK.	<p style="text-align: center;"><b>NEXUS</b> STAMFORD, CONN</p> <p>SIZE <b>B</b> DWG. NO. <b>AP-107BR</b> ASSEMBLY, B.O.M.</p>	
A	WAS 1.40	0242	9/23/96	L.S.									
LET.	REVISION	CN #	DATE	CHK.									