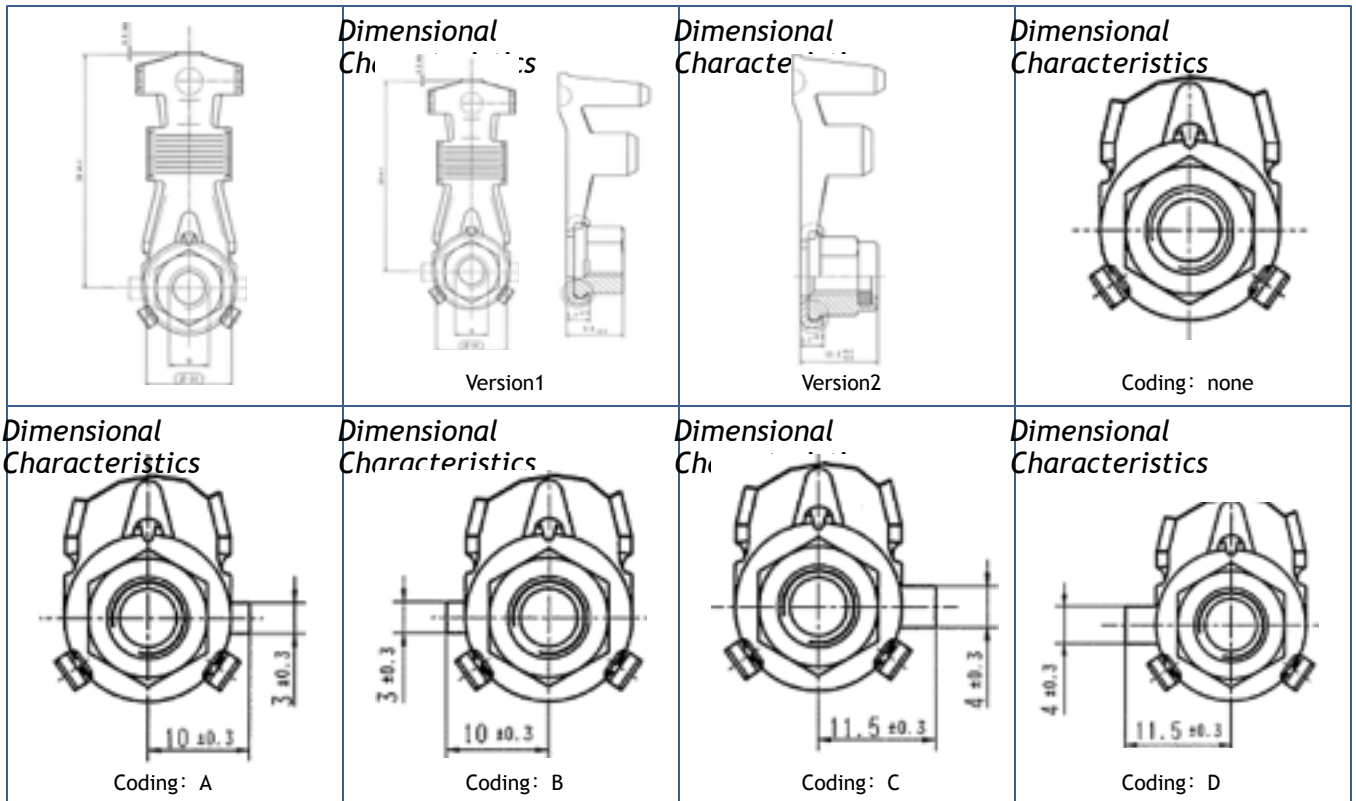


Ring Terminals

Part Number List-

| Bolt Size | Lear T&C Part Number | Lear SEM Part Number | Wire Size Range (mm ²) | Dim A (mm) | Dim B (mm) | Dim L (mm) | Material Thickness (mm) | Material | Surface | Bended | Torque (Nm) | Type | Coding |
|-----------|----------------------|----------------------|------------------------------------|------------|------------|------------|-------------------------|----------|---------|--------|-------------|------|--------|
| M6 | 26741122179 | 3202557U8 | 6.0-10.0 | 6.2 | 12.5 | 27.0 | 1.0 | Brass | Sn | 0° | 6 | E | none |
| M6 | 26754000001 | E02261300 | 6.0-10.0 | 6.2 | 12.5 | 26.0 | 1.0 | --- | Blank | 0° | 6 | G | L |
| M6 | 26754122179 | 320272487 | 6.0-10.0 | 6.2 | 12.5 | 27.0 | 1.0 | Brass | Sn | 0° | 6 | E | L |
| M6 | 26755000001 | E02261400 | 6.0-10.0 | 6.2 | 12.5 | 26.0 | 1.0 | --- | Blank | 0° | 6 | G | R |
| M6 | 26755122179 | E02592500 | 6.0-10.0 | 6.2 | 12.5 | 27.0 | 1.0 | Brass | Sn | 0° | 6 | E | R |
| M6 | 28516122179 | 320151F05 | 6.0-10.0 | 6.2 | 12.5 | 27.0 | 1.0 | Brass | Sn | 0° | 6 | E | none |



Part Number List-

| Bolt Size | Lear T&C Part Number | Lear SEM Part Number | Wire Size Range (mm ²) | Dim A (mm) | Dim B (mm) | Dim L (mm) | Material Thickness (mm) | Material | Surface | Bended | Version | Coding |
|-----------|----------------------|----------------------|------------------------------------|------------|------------|------------|-------------------------|----------|---------|--------|---------|--------|
| M6 | 28018122179 | 320151178 | 16-25 | --- | --- | 34 | 1.2 | Brass | Sn | 0° | 1 | none |
| M6 | 28018000001 | E02247100 | 16-25 | --- | --- | 34 | 1.2 | --- | Blank | 0° | 1 | none |