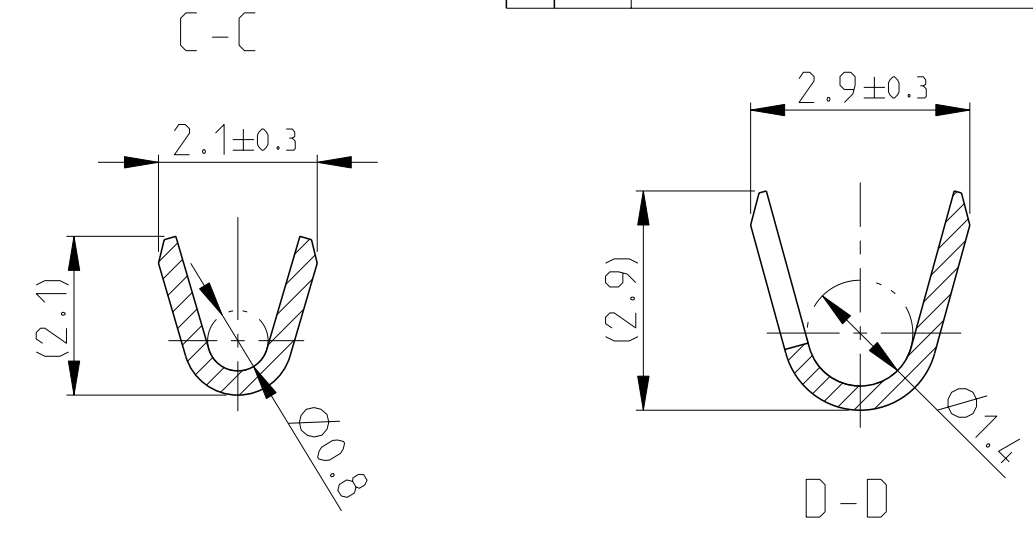
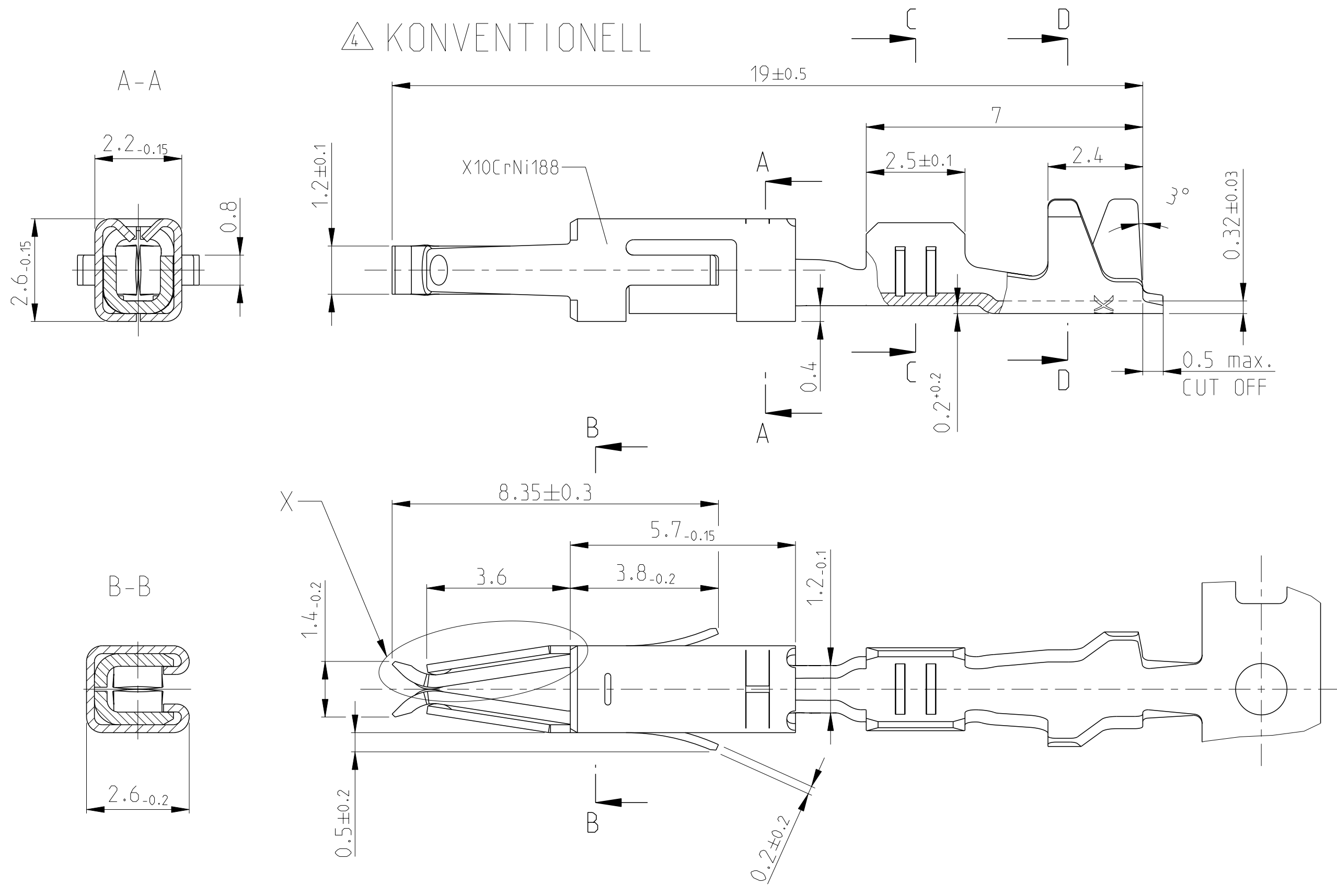


THIS DRAWING IS UNPUBLISHED. RELEASED FOR PUBLICATION 2008  
 © COPYRIGHT 2008 Tyco Electronics AMP GmbH ALL RIGHTS RESERVED.

REVISIONS					
P	LTR	DESCRIPTION	DATE	DWN	APVD
J2		NEW VERSION OF GOLD CONTACTS PERMITTED.	18MAY2011	Kirs	Mair
J3		OPTIONAL to note 8 TTD added. (area A3)	28JUN2011	Kirs	Mair
J4		SURFACE ERROR (962942-6) CHANGE NOTE 1 TO NOTE 2	06MAR2012	Kirs	Eder
J5		SET PN's OBSOLETE	17JUN2014	Ho.	Eder

4 KONVENTIONELL

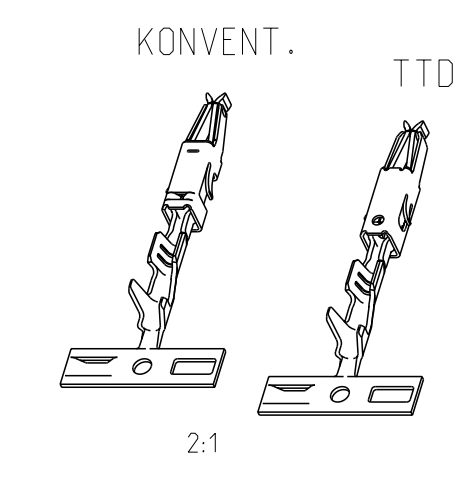
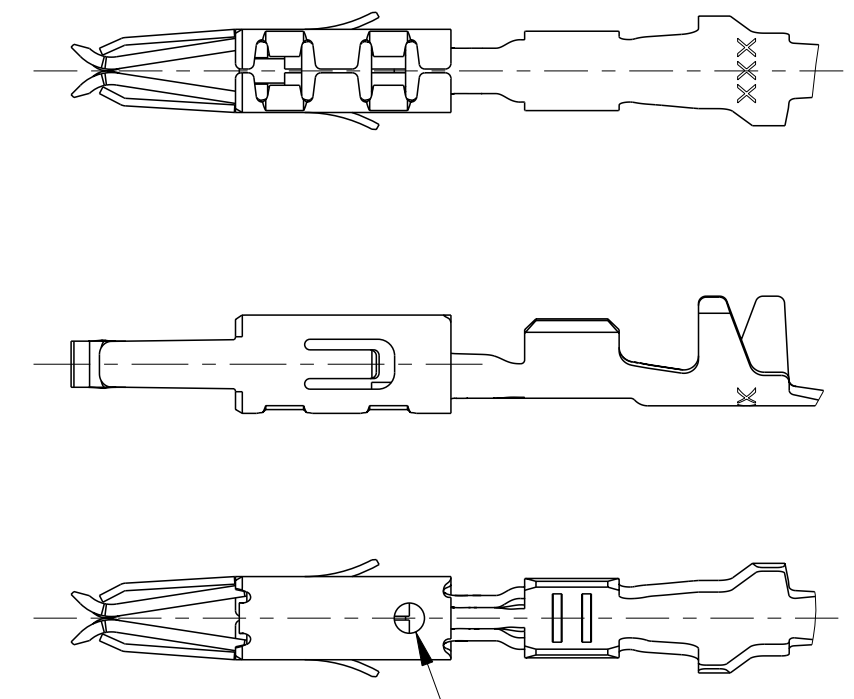
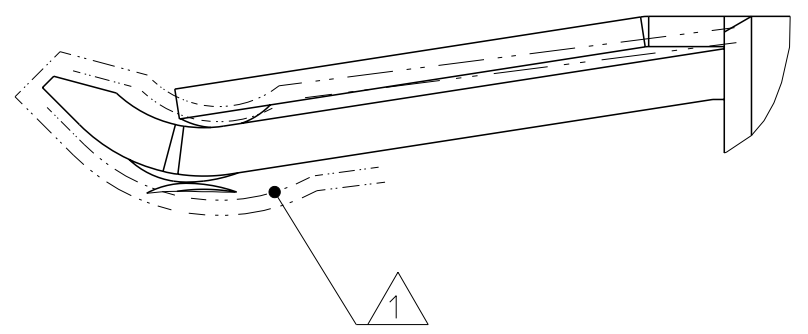


NOTES  
Bemerkungen

- 1 SELECTIVE GOLD OVER NICKEL 0.8 µm MIN.  
selektiv vergoldet ueber Nickel 0.8 µm min.
- 2 TIN PLATED OVER NICKEL 0.2 µm MIN.  
verzinkt ueber Nickel 0.2 µm min.
- 3 WIRE RANGE : 0.2 - 0.5 mm<sup>2</sup>  
INSULATION-Ø : 1.15 - 1.6 mm (FLR)  
Drahtgroessenbereich : 0.2 - 0.5 mm<sup>2</sup>  
Isolations-Ø : 1.15 - 1.6 mm (FLR)

X  
M 20:1

5 TWO TRACK DIE  
M 5:1



4	5	962944-5	1	2	CuFe2	962942-5	J
4	5	962944-3	1	2	CuSn4	962942-3	J
5		962944-2			PRETIN	CuFe2	962942-2
5		962944-1			PRETIN	CuSn4	962942-1
VERSION	LP NO	SURFACE / Oberflaeche	MATERIAL	PART NO	REV		

THIS DRAWING IS A CONTROLLED DOCUMENT.		DWN M.Pfeilschiffer 24-JUL-03	TE Connectivity			
DIMENSIONS: mm		CHK M.Brunner 24-JUL-03				
TOLERANCES UNLESS OTHERWISE SPECIFIED:		APVD M.Bleicher 24-JUL-03	NAME MICRO TIMER 2 CONTACT Micro Timer 2 Kontakt			
0-PLC ±		PRODUCT SPEC 108-18055	SIZE A2			
1-PLC ±		APPLICATION SPEC 114-18081	CAGE CODE 00779			
2-PLC ± ±0.2		WEIGHT 0.3 g	DRAWING NO 962942			
3-PLC ±		MATERIAL	RESTRICTED TO			
4-PLC ±		Customer Drawing	SCALE 10:1 SHEET 1 OF 1 REV J5			
ANGLES ±2°						
FINISH						