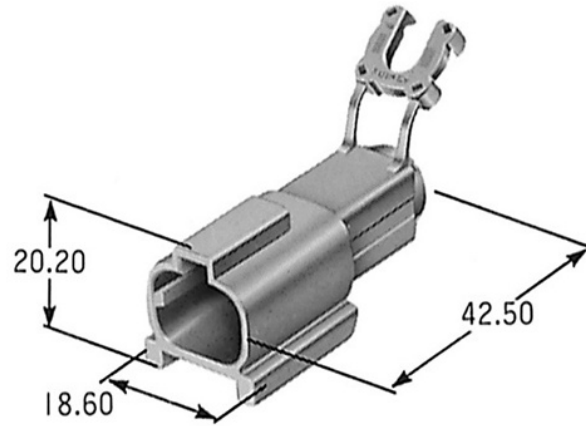


58 Connectors X Type Housing 1P Male

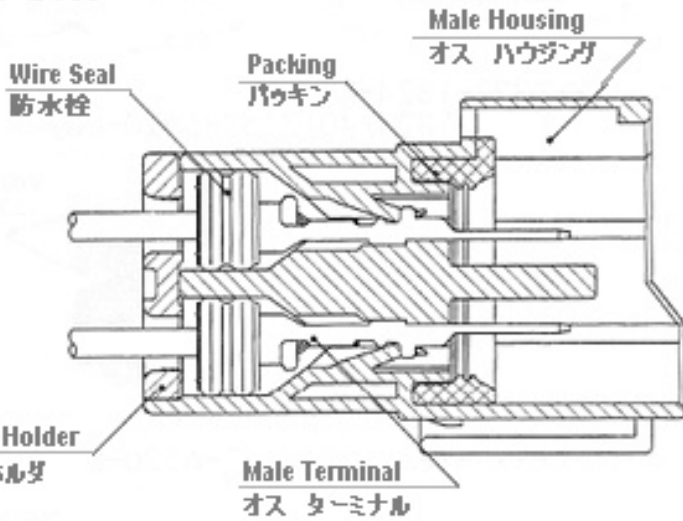


7222-6214-40

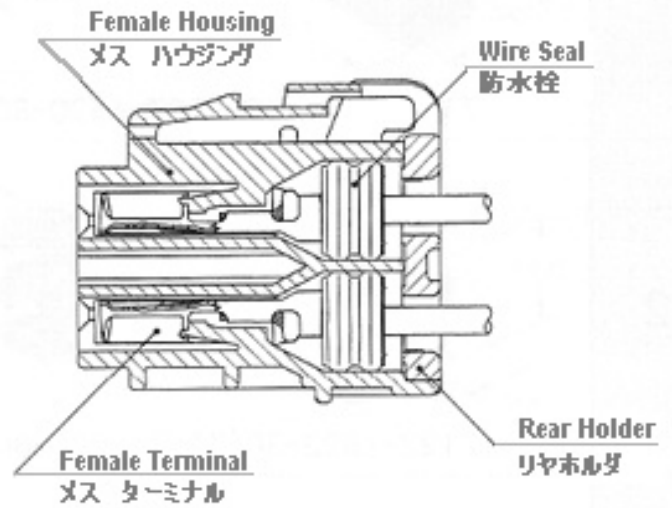
(Unit:mm)

Configuration diagram

Male Connector
オス コネクタ



Female Connector
メス コネクタ



Specifications

Classified Parts	Housing
Family	*2 58 Connectors
Type	X Type
Yazaki Part Number	7222-6214-40
Connection Type	Wire to Wire
Unsealed/Seald	Sealed
Male/Female	Male
Number of Poles	1
Tab Width mm(inches)	6.3(250)
Material	PBT
Plating	-
Color	Light Gray
Rating	-
Mating Part Numbers	7123-6214-40
Product Specification No.	YPES-11-04-005
Instruction Manual No.	YPES-15-026

Product Specification	
Allowable Current(Ref.)	20A(Ref)
Low Level Contact Resistance	3milli ohm Max.(Initial)
Insulation Resistance	250Megohm Min.(at 500VDC)
Withstanding Voltage	1000V AC (1min.)
Temperature Range	*9 -40 to 100deg.C

Application List of Installable Components		
Terminals	Wire Seals	Holders
7114-2873	7157-3570	-
7114-2874	7157-3571-80	
-	7157-3574-70_*5	
-	7157-3578-50	
-	7157-3579-20_*5	

*3)Heavy Duty Type, *4)Single Pole Type, *5)Material NBR, *6)5mm pitch, *7)5.5mm pitch

*8)For installable components for the hybrid series, refer to the related component table.

*9)Operating Temperature Range includes temperature rise caused by current flow.

«Note for Purchase»

This brochure includes information on the parts developed jointly with particular customer(s) and approval from the customer(s) may be required for sales.

We would appreciate it if you could contact us prior to purchase.